

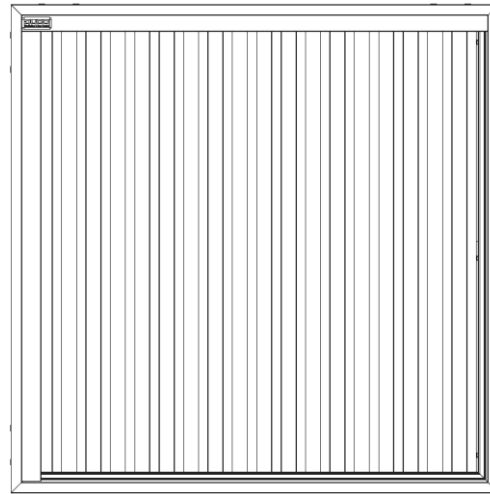
Fitting instructions

# DucoGrille Classic 60HP

9/01/2024



**Horizontal**



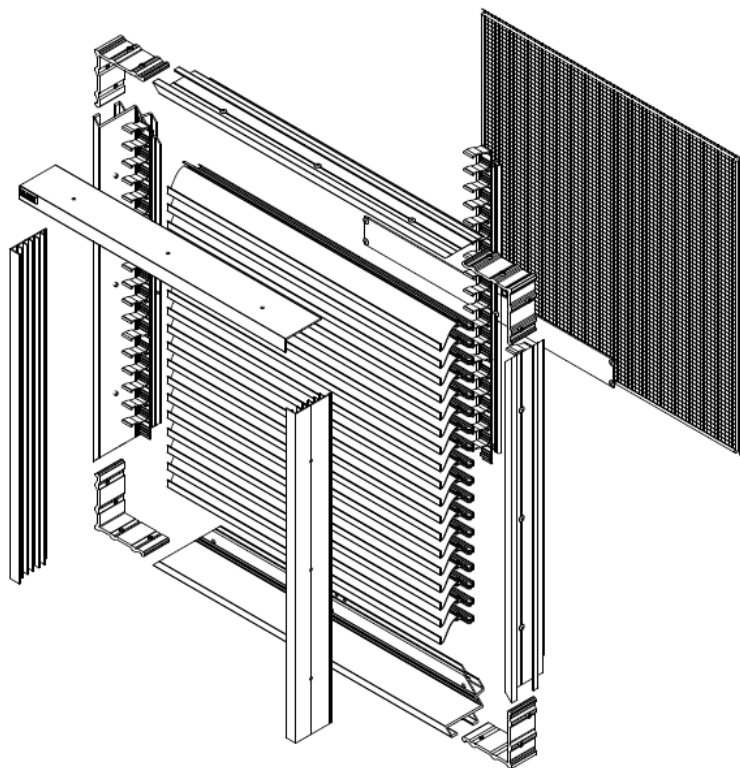
**Vertical**

## CONTENTS

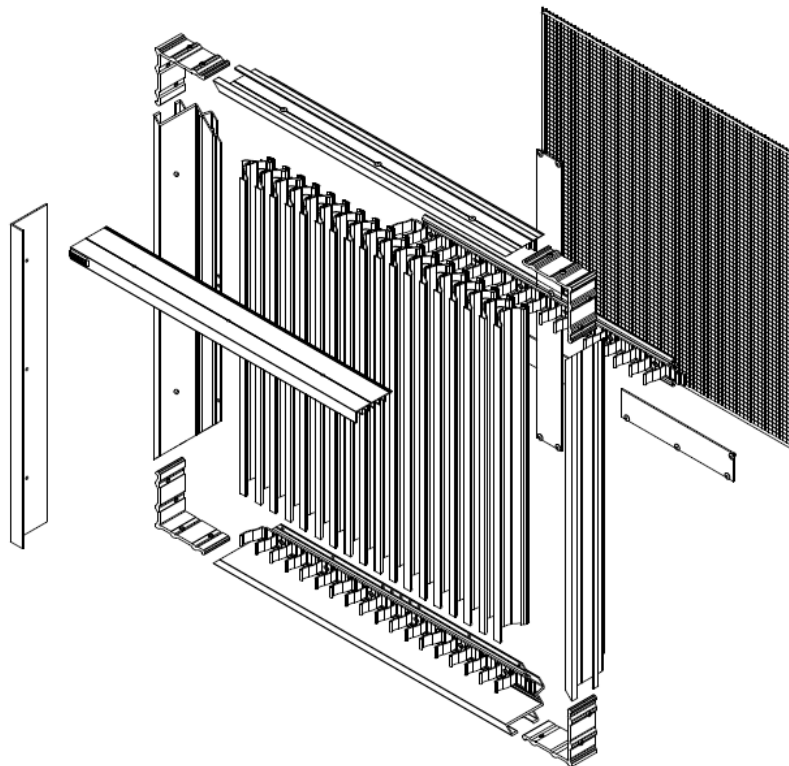
1. Exploded view
2. Parts list
3. Product types
4. Fitting

1

# Exploded view



**Horizontal**



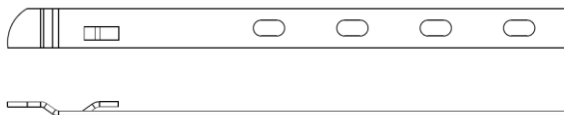
**Vertical**

## 2 Parts list

---

### Large fixing lugs

G0009678



DucoGrille Classic 60HP is available in several variants:

1. Orientation

- Horizontal
- Vertical

2. Frame

- F-frame: Window grille with flange, glass size 28 or 32
- G-frame: Recessed mounting louvre with flange
- N-frame: Recessed mounting louvre without flange

3. Dimensions

- Minimum dimensions according to table, depending on orientation and frame
- Width and height per millimetre
- Maximum dimensions according to table, depending on orientation and frame

4. Stainless-steel mesh

- Standard: insect-resistant mesh (2.3x2.3 mm)
- Options: none, pest-resistant (6x6 mm), bird-resistant (20x20 mm)

HORIZONTAL	F FRAME	G FRAME	N FRAME
Width (W, mm)	240 – 5900 (where H ≤ 2800)	185 – 5900 (where H ≤ 2800)	185 – 5900 (where H ≤ 2800)
Height (H, mm)	255 – 5900 (where W ≤ 2800)	200 – 5900 (where B ≤ 2800)	200 – 5900 (where B ≤ 2800)
VERTICAL	F FRAME	G FRAME	N FRAME
Width (W, mm)	255 – 5900 (where H ≤ 2800)	200 – 5900 (where H ≤ 2800)	200 – 5900 (where H ≤ 2800)
Height (H, mm)	240 – 5900 (where B ≤ 2800)	185 – 5900 (where B ≤ 2800)	185 – 5900 (where B ≤ 2800)

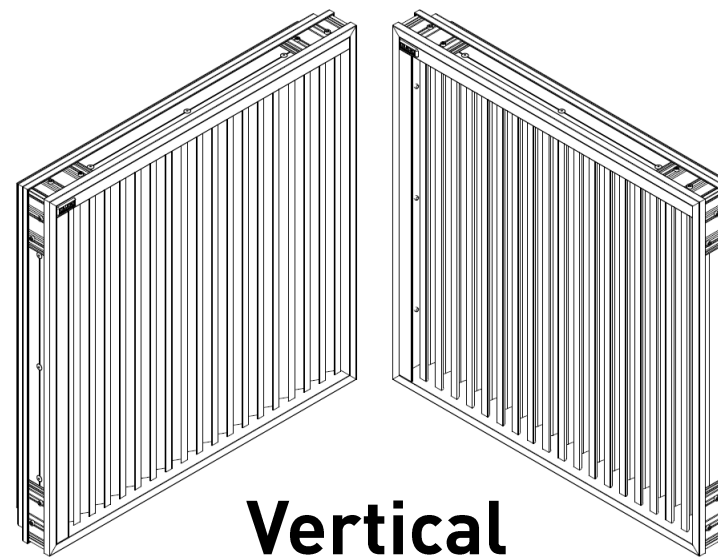
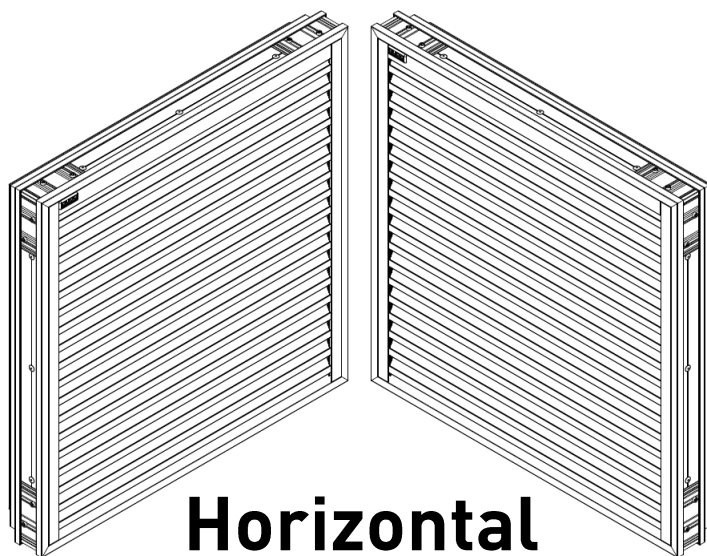
The installation of a DucoGrille Classic 60HP depends on the orientation and framework:

ORIENTATION	PAGE
Horizontal	6
Vertical	6

FRAME	TYPE	Mounting	PAGE
F24	Window louvre glass size 28 mm	Replacement for 28 mm glass	7
F28	Window grille glass size 32 mm	Replacement for glass 32 mm	7
G	Recessed mounting louvre with flange	On exterior wall	8
N	Recessed mounting louvre without flange	On exterior wall	8

Place the DucoGrille Classic 60HP according to the correct orientation. Orientation must be communicated in advance. Use the table to determine the orientation of a DucoGrille Classic 60HP.

SUMMARY	HORIZONTAL	VERTICAL
Orientation louvre blades	Horizontal	Vertical
Drainage profiles	2: 1 left, 1 right	1: at the top
L-profile	At the top	Left
Frame profiles without drainage profile or L-profile	1: at the bottom	2: 1 at the bottom, 1 on the right

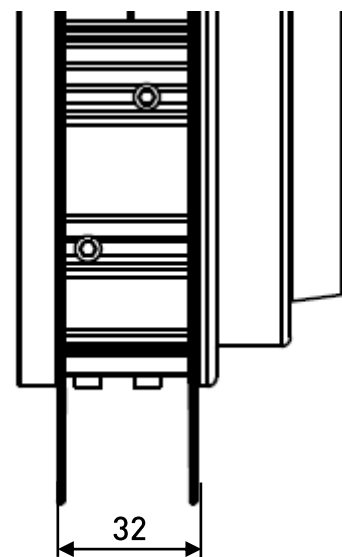
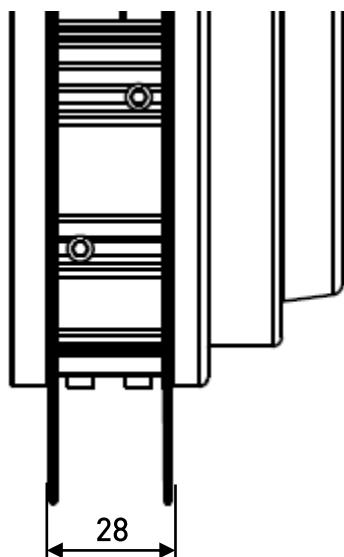


## 4

## Placement - F-frame

Fit an F-frame as a replacement for glass.  
The F-frame is available in two glass sizes:

- 28 mm
- 32 mm



For a G-grille or an N-grille, provide an opening at least 10 mm larger in height and width than the grille.

1. Insert the fixing lugs into the provided groove of the frame profiles according to the instructions shown:
  - 1 fixing lug per side at 100 mm from the top of the frame.
  - 1 fixing lug per side at 100 mm from the side of the frame.
  - provide additional fixing lugs if the distance between two fixing lugs exceeds 350 mm
2. Place fixing lugs in the top profile and the bottom profile if the width exceeds 1000 mm. Keep the same distances as for the side profiles.
3. G-frame: Apply transparent silicone on the inside of the flange.
4. Mount the grille in the opening provided and fix the fixing lugs with an appropriate fastener for the substrate.
5. Apply transparent silicone to the outside of the grille.

