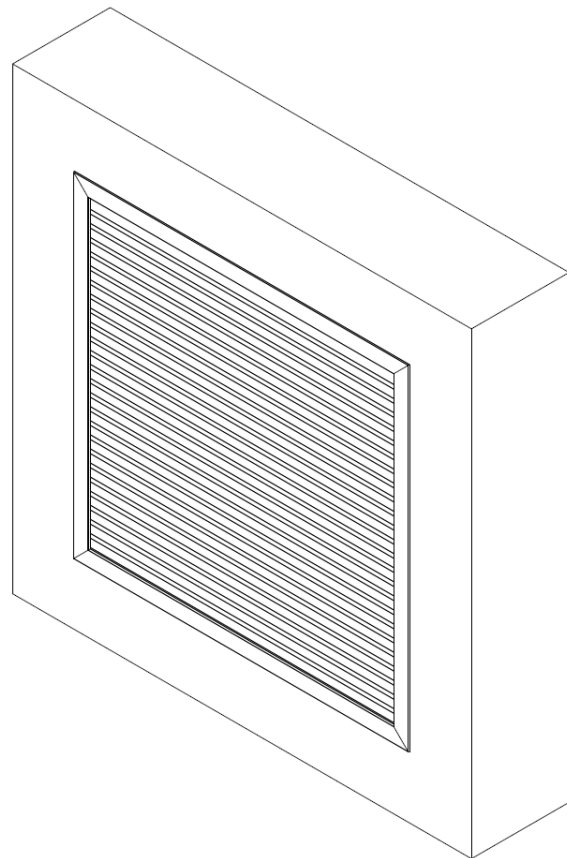


Fitting instructions

# DucoGrille Solid G30Z++

13/07/2023



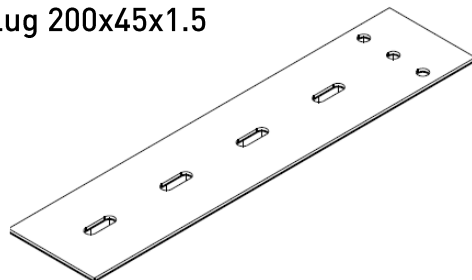
## CONTENTS

1. Parts list
2. General
3. Preparing grille
4. Fitting grille

# 1 Parts list

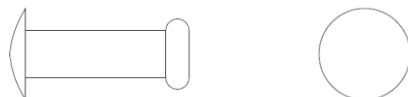
**Stainless steel Fixing lug 200x45x1.5**

G0009679



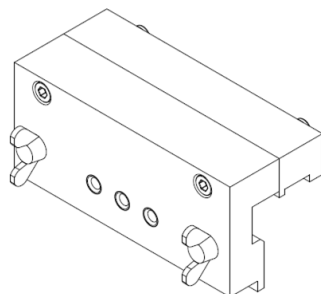
**Inox Pop rivets 4x20**

G0000077



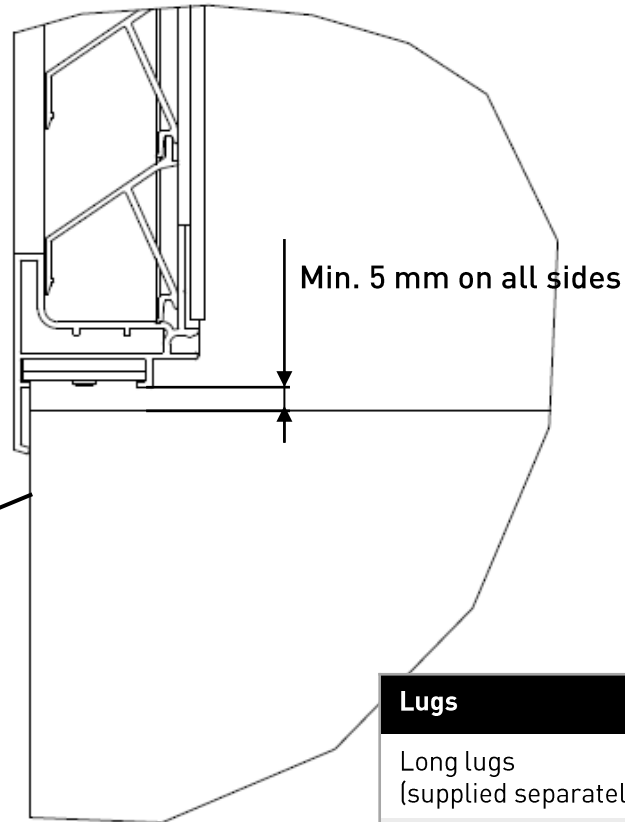
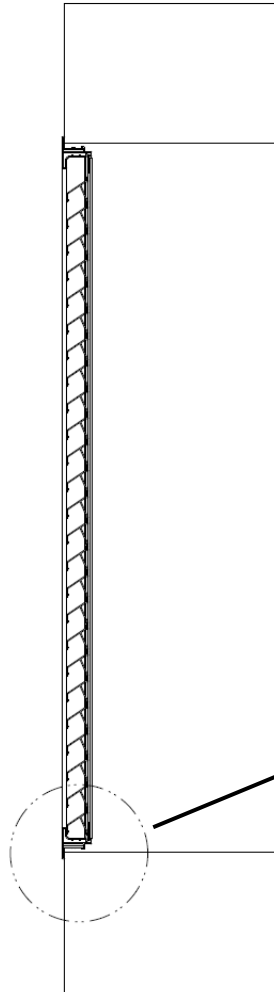
**Drilling jig G30Z++**

K0002115



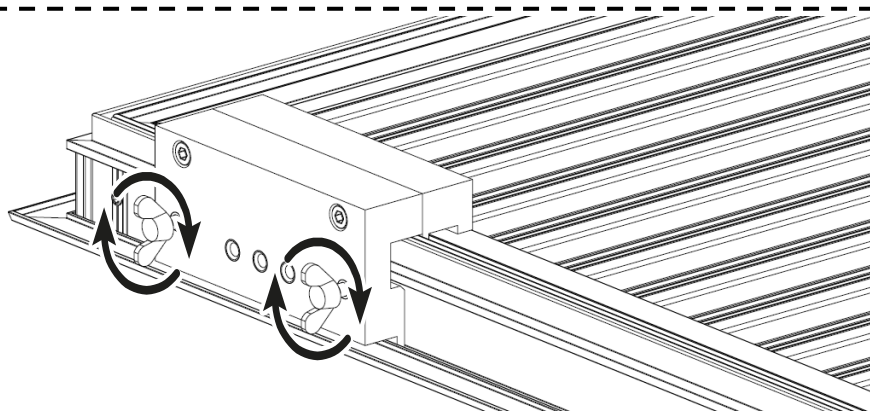
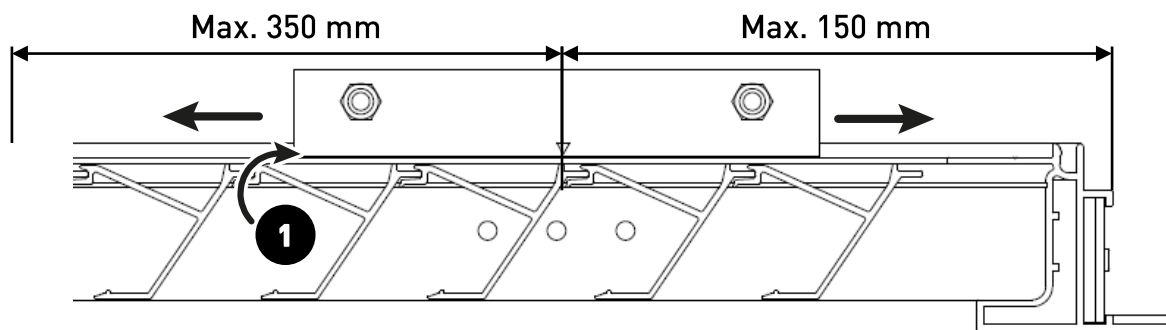


Create an opening in the wall that is at least 10 mm larger than the order size of the grille. Both in width and height.



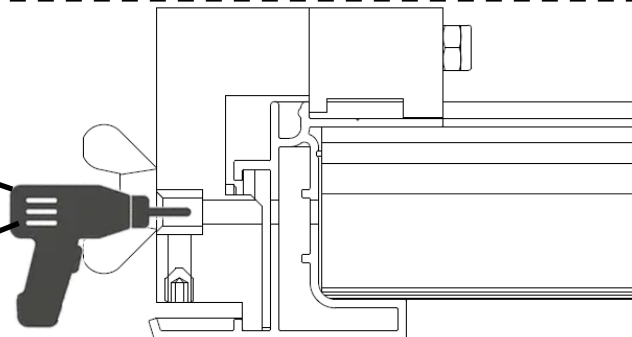
Lugs	Grille preparation
Long lugs (supplied separately)	p. 4 – 6
Short lugs (pre-mounted)	p. 6

### 3 Preparing grille



**Ø4 – Drill straight through the outer frame**

**Drilling 2 of the 3 holes is sufficient. If necessary, drill the 3<sup>rd</sup> hole to avoid stainless steel reinforcement strip**

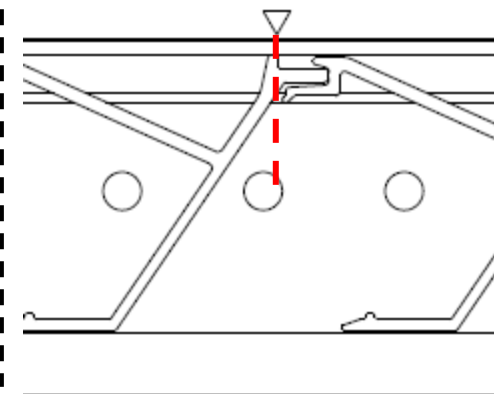


#### PARTS

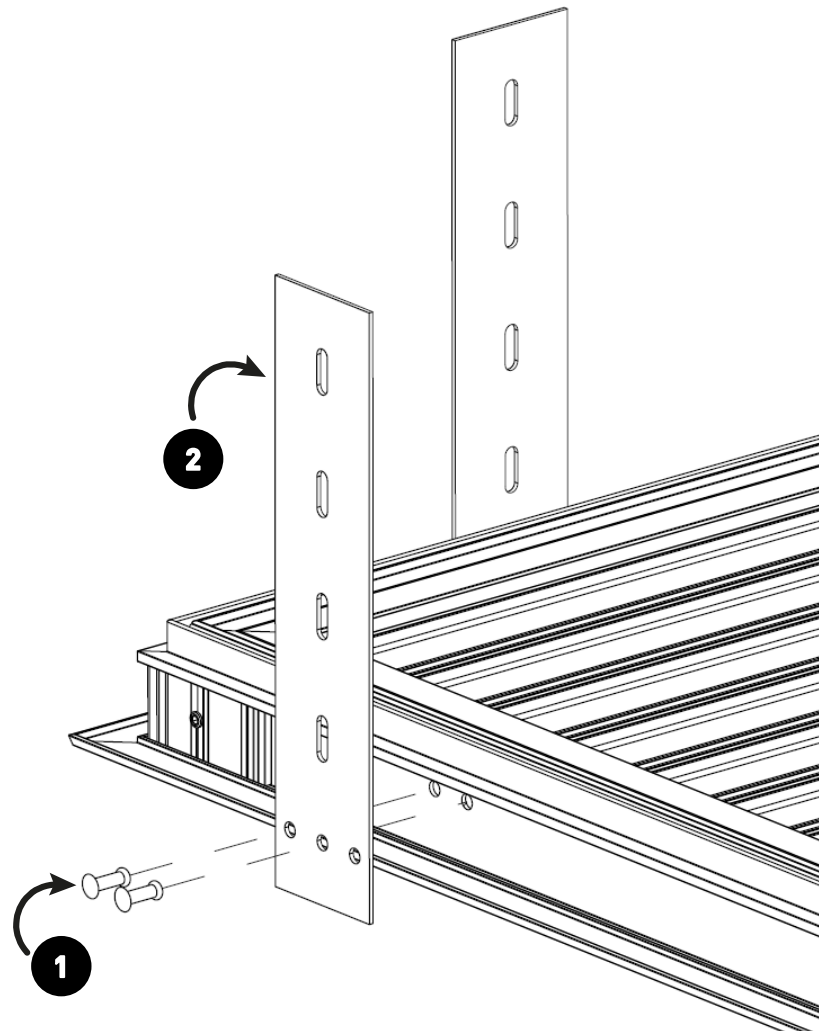
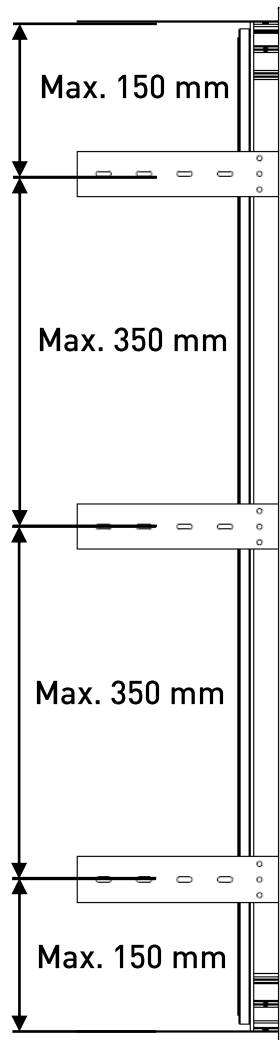
1	K0002115 – Drilling jig G30Z++	x1
---	--------------------------------	----



Make sure that the middle of the jig is always aligned with the “lowest” rib where the louvre touches the frame



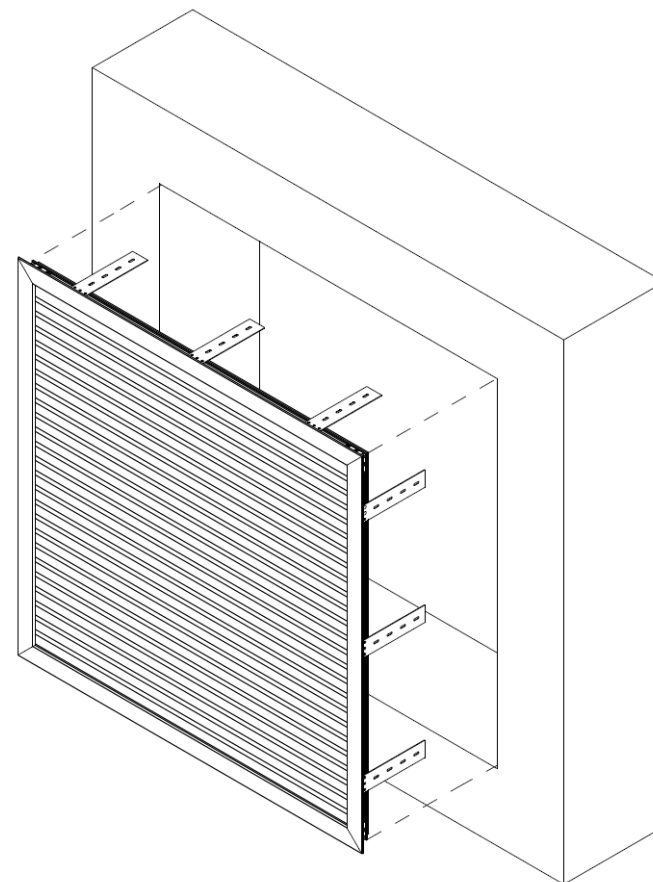
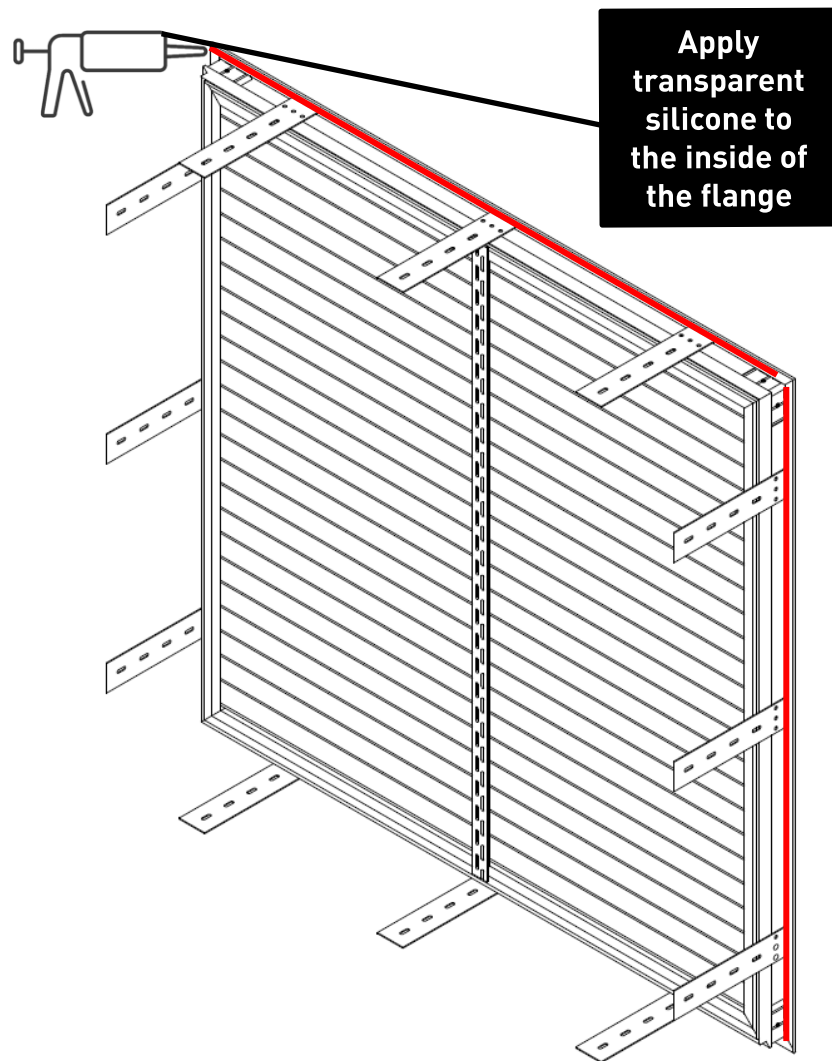
### 3 Preparing grille



#### PARTS

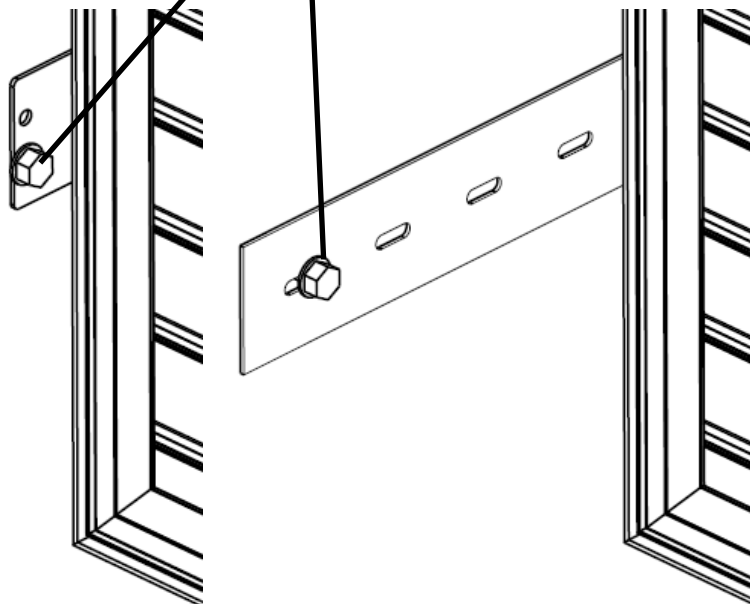
1	G0000077 - Inox Pop rivets 4x20	2/fixing lug
2	G0009679 - Stainless steel Fixing lug 200x45x1.5	-

### 3 Preparing grille



## 4 Fitting Grille

Attachment at the expense of the installer



Neutral adhesive sealant, permanently elastic. Quick hardening inside and outside

