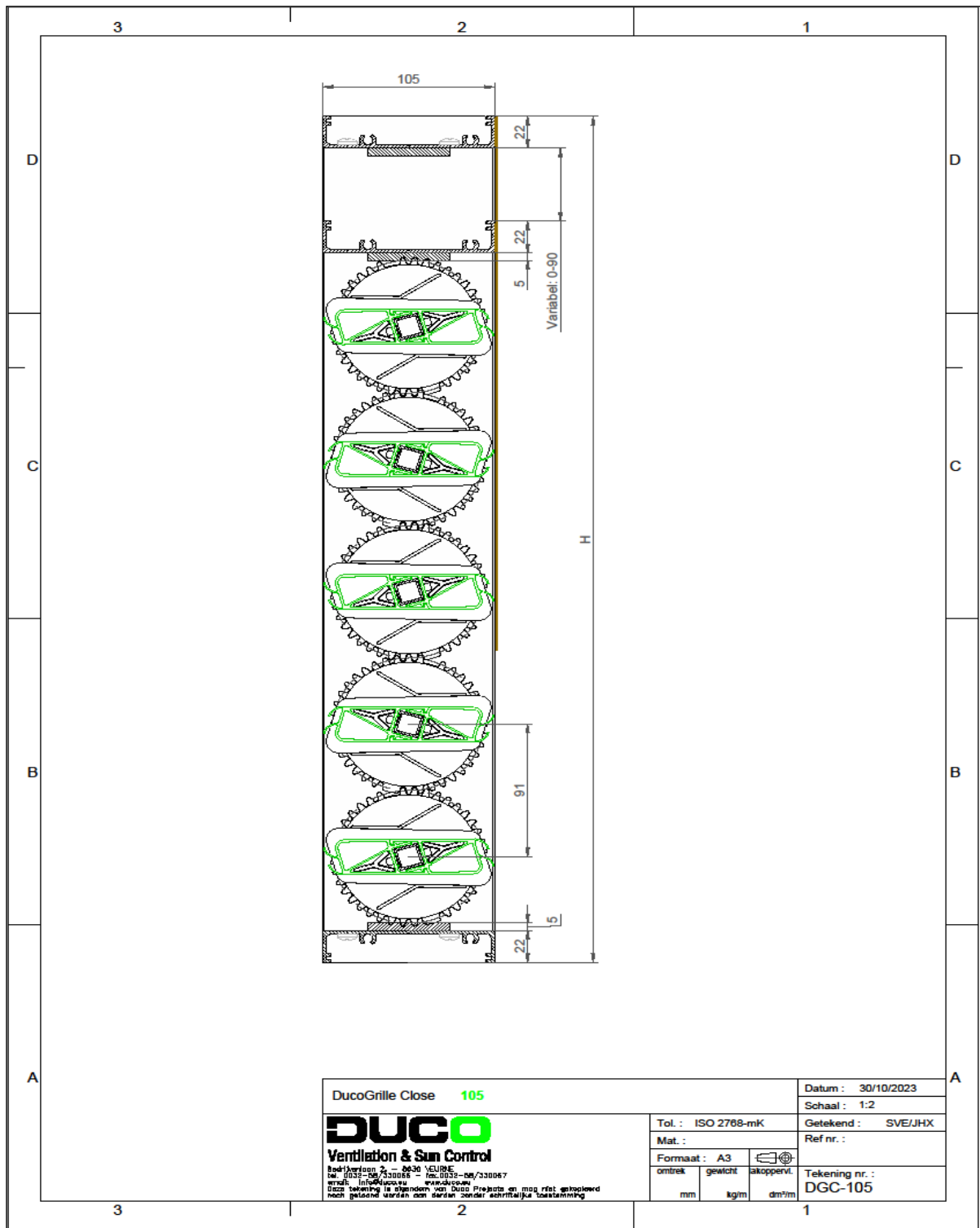


TECHNICAL DATA SHEET

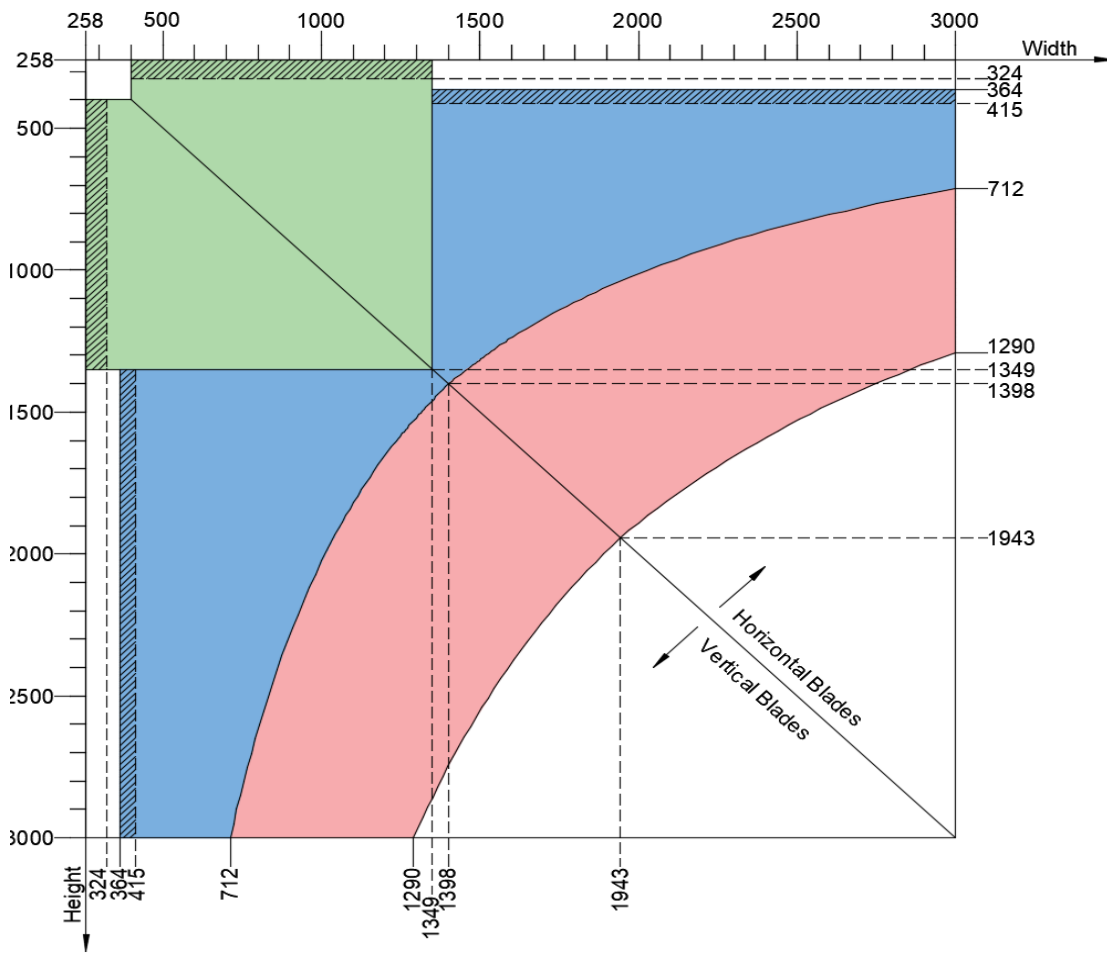


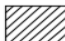

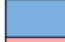

Type	DucoGrille Close 105					
DESCRIPTION	Controllable air intake / flow / exhaust unit					
SHAPE OF BLADE	Reinforced HD PVC blades					
PITCH	91 mm					
FRAME DEPTH	105 mm					
FREE AREA (open)	805 l/s/m ² (@ 1 Pa)					
AIRTIGHTNESS (CLOSED)	Qn50 = 0,79 m ³ /h*m					
INSULATION VALUE	U = < 1 W/m ² K					
POSITIONS	Various possible positions (depending on choice of actuator)					
SOUND LEVEL ACTUATOR	35dB(A) - 45dB(A)					
MIN. DIMENSIONS	Length 258mm, Height 258mm (per mm). Depending on the width, see table below					
MAX DIMENSIONS	Width 3000mm, height 3000mm					
FUNCTIONAL TEMPERATURE	-25 up till +60°C					
FIRE RESISTANCE	Blades: V0 (flame retardent) in accordance with UL94, M1 - NFP 92-501 Extra possibilities in combination with fire resistance internal/external grille					
CONTROL	Motorised, (see schedule motors for the opti NM24A)					
MATERIAL	Aluminium : Al Mg Si 0,5 Thermoplastic parts : Blade HD PVC					
SURFACE TREATMENT	- polyester powder coated (60-80µm) according Qualicoat Seaside type A - specific RAL codes and/or textured paint on request					
VISUAL FREE AREA	74% (open)					
PHYSICAL FREE AREA	74% (open)					
AIR FLOW DATA	(EN13030)		standard			
	Ce		0,624			
	K-factor intake		2,57			
	Cd		0,624			
	K-factor exhaust		2,57			
WATER RESISTANCE	(EN13030)		standard			
	v = 0 m/s		not applicable			
	v = 0,5 m/s		not applicable			
	v = 1 m/s		not applicable			
	v = 1.5 m/s		not applicable			
	v = 2 m/s		not applicable			
	v = 2.5 m/s		not applicable			
	v = 3 m/s		not applicable			
	v = 3,5 m/s		not applicable			
ACOUSTIC SPECS	(open) Rw(C;C _{tr}) = 3(0;-1) dB			(close) Rw(C;C _{tr}) = 21(-2;-2) dB		
	125 Hz	250 Hz	500 Hz	1000 Hz	2000 Hz	4000 Hz
(open)	1,4 dB	2,4 dB	3,1 dB	2,2 dB	2,6 dB	2,7 dB
(close)	13,7 dB	14,6 dB	16,5 dB	20,9 dB	23,2 dB	29,3 dB
COOLING CAPACITY (per m ² in combination with exterior and interior grille)	type		airflow (l/s)		capacity (kW)	
	Single sided natural ventilation (ΔT=6K)		29,5		0,21	
	Cross flow natural ventilation (v=3m/s)		180,9		1,31	
	Stack natural ventilation (Δh=6m)		217		1,57	



Actuator tabel:

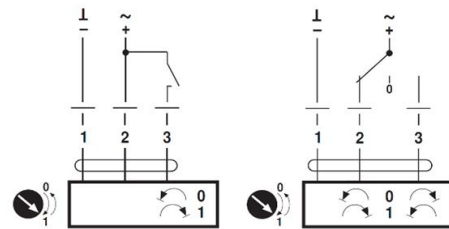
	Motortype		Power supply	Art. Nr.
Regular	Time-Controlled	NM24A	3,5W - 0,15A - AC/DC 24V	G0100705
		NM230A	5,5W - 24mA - AC 230V	G0100763
	Modulating (0)2...10V	NM24A-SR	4,0W - 0,17A - AC/DC 24V	G0100728
		NM230ASR	6,5W - 28mA - AC 230V	G0100762
Spring Return	Open-Close	NF24A	8,5W - 0,35A - AC/DC 24V	G0100718
		NFA	9,5W - 0,4A ... 40mA / 0,4A ... 76mA AC 24...240V / DC 24...125V	G0100764
	Modulating (0)2...10V	NF24A-SR	5,5W - 24mA - AC/DC 24V	G0100729



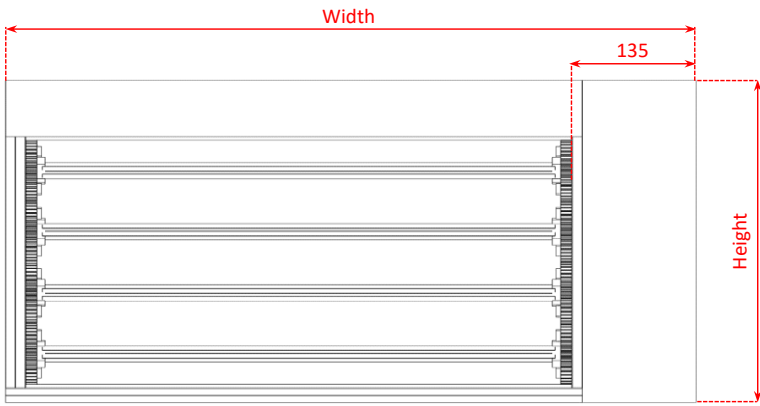
	No spring return actuator possible
	Side actuator
	Centered actuator
	Double actuator

AC/DC 24 V, open-close

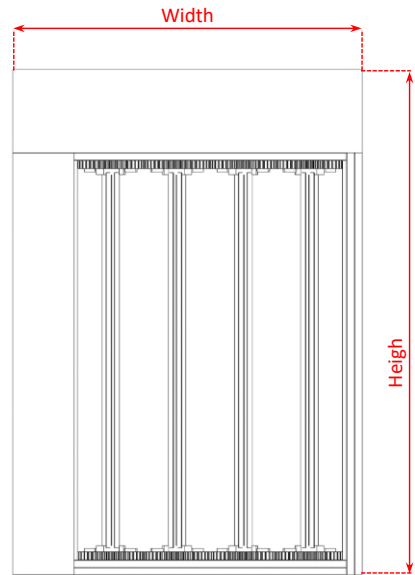
AC/DC 24 V, 3-point



Cable colours:
 1 = black
 2 = red
 3 = white

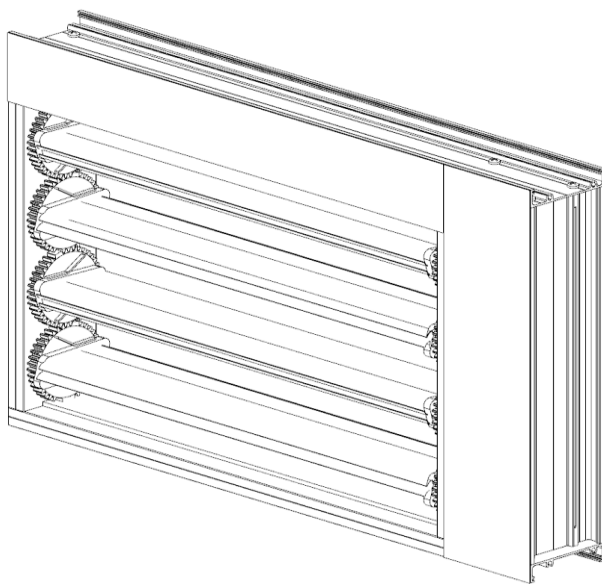
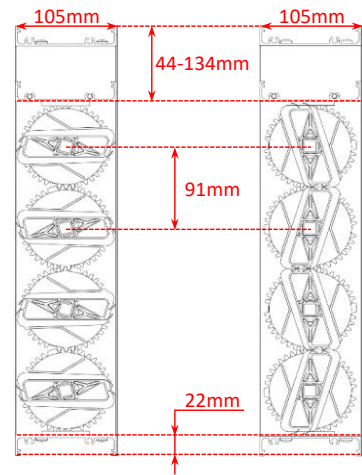


Side Actuator

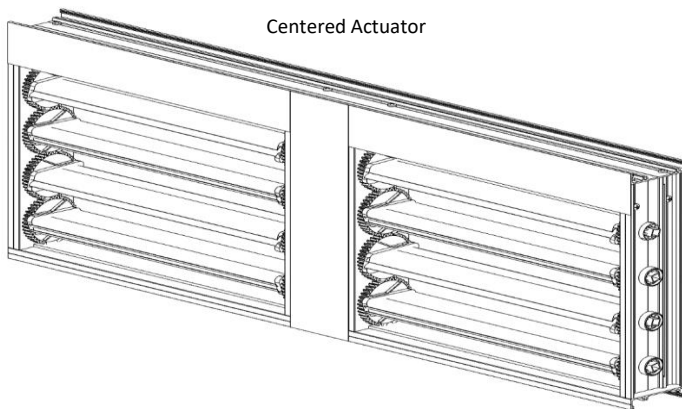


Doorsnede open

Doorsnede dicht



Centered Actuator



Double Actuator

