

TECHNICAL DATA SHEET



| Type | DucoGrille Classic G 130HP | | | | | | | | | | | | | | | | | | | |
|------------------------------|---|--|-----------|----------|-----------|-------|-----------------|------|-----------|-------|------------------|-------|-----------|---|-------------|---|-----------|---|-------------|---|
| DESCRIPTION | Louvre "build-in" wall grille, high water resistance, high airflow | | | | | | | | | | | | | | | | | | | |
| SHAPE OF BLADE | 130HP | | | | | | | | | | | | | | | | | | | |
| PITCH | 50 mm | | | | | | | | | | | | | | | | | | | |
| FRAME WIDTH | 60 mm | | | | | | | | | | | | | | | | | | | |
| EQUAL LEG OUTER FRAME | 48 mm | | | | | | | | | | | | | | | | | | | |
| FRAME DEPTH | 165 mm | | | | | | | | | | | | | | | | | | | |
| MIN. DIMENSIONS | Width 250mm, Height 250mm. Exception on request. | | | | | | | | | | | | | | | | | | | |
| REACTION TO FIRE | If version with standard plastic clips : D-s2,d0 (EN13501-1) If version with metal clips (optional) : A2-s1,d0 (EN 13501-1) | | | | | | | | | | | | | | | | | | | |
| MESH | <ul style="list-style-type: none"> - standard with insectmesh 2.3 x 2.3 mm - optional without mesh - optional with bird mesh 6 x 6 mm - optional with bird mesh 20 x 20 mm | | | | | | | | | | | | | | | | | | | |
| DRIP TRAY PROFILE | drip tray integrated in the frame profile, drainage via frame profile and side channels | | | | | | | | | | | | | | | | | | | |
| MATERIAL | <p>Aluminium : EN AW-6063 T66 (EN 573-3) Profile thickness : min. 1,5mm</p> <p>Thermoplastic parts : Clips Polyamide PA 6,6 -reinforced with glass fibre</p> <p>Metal parts : Clips Zamak Electrophoresis blackened</p> | | | | | | | | | | | | | | | | | | | |
| SURFACE TREATMENT | <ul style="list-style-type: none"> - standard aluminium anodised (15-20µm) according Qualanod - polyester powder coated (60-80µm) according Qualicoat Seaside type A - specific RAL codes and/or textured paint on request | | | | | | | | | | | | | | | | | | | |
| VISUAL FREE AREA | 88% | | | | | | | | | | | | | | | | | | | |
| PHYSICAL FREE AREA | 70% | | | | | | | | | | | | | | | | | | | |
| AIR FLOW DATA | <table border="1"> <thead> <tr> <th>(EN13030)</th> <th>standard</th> </tr> </thead> <tbody> <tr> <td>Ce</td> <td>0,333</td> </tr> <tr> <td>K-factor intake</td> <td>9,02</td> </tr> <tr> <td>Cd</td> <td>0,284</td> </tr> <tr> <td>K-factor exhaust</td> <td>12,40</td> </tr> </tbody> </table> | | (EN13030) | standard | Ce | 0,333 | K-factor intake | 9,02 | Cd | 0,284 | K-factor exhaust | 12,40 | | | | | | | | |
| (EN13030) | standard | | | | | | | | | | | | | | | | | | | |
| Ce | 0,333 | | | | | | | | | | | | | | | | | | | |
| K-factor intake | 9,02 | | | | | | | | | | | | | | | | | | | |
| Cd | 0,284 | | | | | | | | | | | | | | | | | | | |
| K-factor exhaust | 12,40 | | | | | | | | | | | | | | | | | | | |
| WATER RESISTANCE | <table border="1"> <thead> <tr> <th>(EN13030)</th> <th>standard</th> </tr> </thead> <tbody> <tr> <td>v = 0 m/s</td> <td>A</td> </tr> <tr> <td>v = 0,5 m/s</td> <td>A</td> </tr> <tr> <td>v = 1 m/s</td> <td>A</td> </tr> <tr> <td>v = 1.5 m/s</td> <td>A</td> </tr> <tr> <td>v = 2 m/s</td> <td>A</td> </tr> <tr> <td>v = 2.5 m/s</td> <td>A</td> </tr> <tr> <td>v = 3 m/s</td> <td>C</td> </tr> <tr> <td>v = 3,5 m/s</td> <td>C</td> </tr> </tbody> </table> | | (EN13030) | standard | v = 0 m/s | A | v = 0,5 m/s | A | v = 1 m/s | A | v = 1.5 m/s | A | v = 2 m/s | A | v = 2.5 m/s | A | v = 3 m/s | C | v = 3,5 m/s | C |
| (EN13030) | standard | | | | | | | | | | | | | | | | | | | |
| v = 0 m/s | A | | | | | | | | | | | | | | | | | | | |
| v = 0,5 m/s | A | | | | | | | | | | | | | | | | | | | |
| v = 1 m/s | A | | | | | | | | | | | | | | | | | | | |
| v = 1.5 m/s | A | | | | | | | | | | | | | | | | | | | |
| v = 2 m/s | A | | | | | | | | | | | | | | | | | | | |
| v = 2.5 m/s | A | | | | | | | | | | | | | | | | | | | |
| v = 3 m/s | C | | | | | | | | | | | | | | | | | | | |
| v = 3,5 m/s | C | | | | | | | | | | | | | | | | | | | |

3

2

1

D

D

C

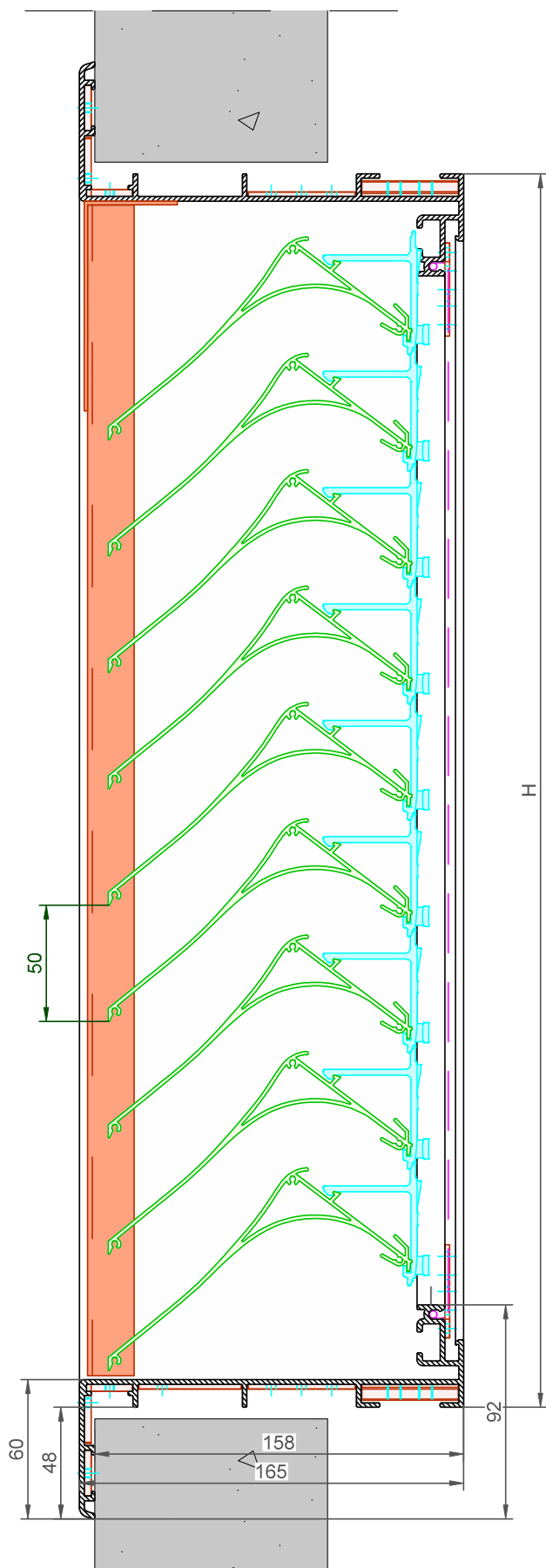
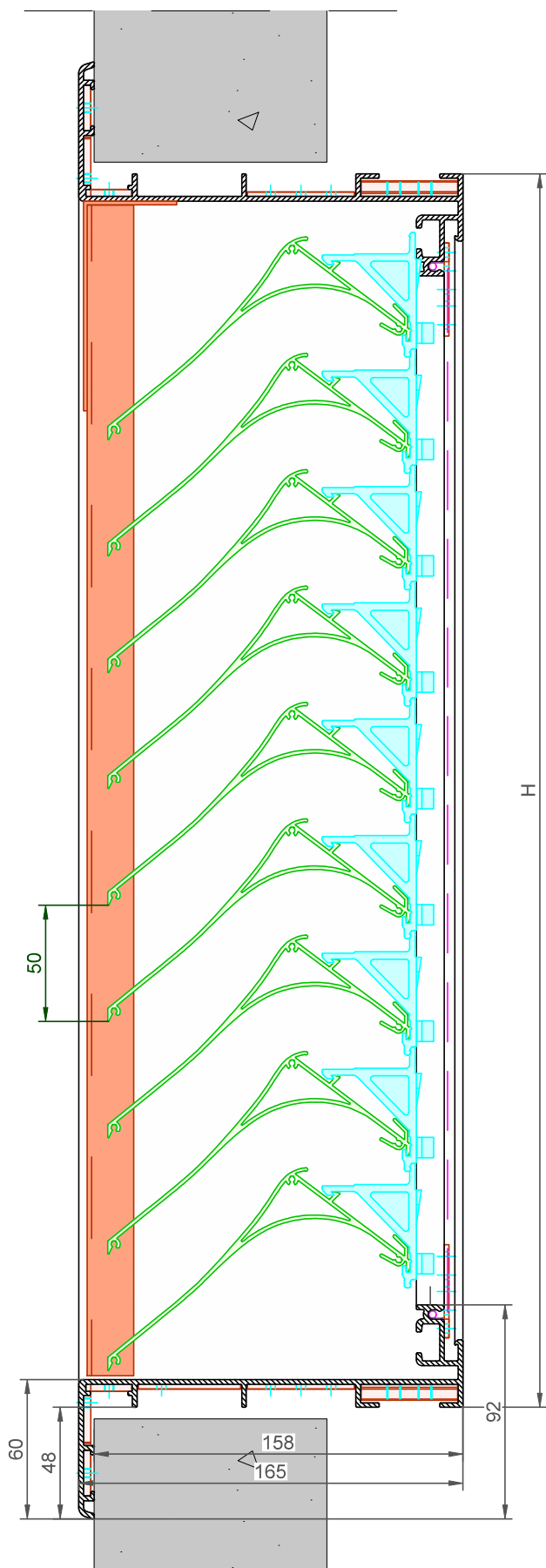
C

B

B

A

A

DucoGrille Classic **G130HP**

DUCO
Ventilation & Sun Control

Bedrijvenlaan 2 - 8630 VEURNE
tel. 0032-58/330066 - fax.0032-58/330067
email: info@duco.eu www.duco.eu

Deze tekening is eigendom van Duco Projects en mag niet gekopieerd
noch getoond worden aan derden zonder schriftelijke toestemming

Datum : 21/09/2023

Schaal : 1:2

Getekend : SDE/SVE/JHX

Ref nr. :

Tol. : ISO 2768-mK

Mat. :

Formaat : A3

omtrek

gewicht

lakoppervl.

mm

kg/m

dm²/m

Tekening nr. :

DGC-G130HP

Available with : • Standard plastic clip (left)
• Metal clip (right)

3

2

1