

TECHNICAL DATA SHEET



Type	DucoGrille Close G 35Z with Motor																			
DESCRIPTION	Build-in louver grille which can be closed																			
SHAPE OF BLADE	35Z																			
PITCH	50 mm																			
FRAME WIDTH	42 mm																			
EQUAL LEG OUTER FRAME	20 mm																			
FRAME DEPTH	45 mm																			
MIN. DIMENSIONS	Width 200mm, Height 524mm. Exception on request.																			
MAX. DIMENSION	Or: Width 3000 mm by Height 773.5 mm. Or Width 800 mm at Height 2473.5 mm. Exception on request.																			
MAX SURFACE m²	2,3m ²																			
INTERMEDIATE REINFORCEMENT FROM WIDTH	800 mm																			
MESH	<ul style="list-style-type: none"> - standard with insectmesh 2.3 x 2.3 mm - optional with bird mesh 6 x 6 mm 																			
MOTOR	Linear motor LINAK: LA 121000-203024-13 24V Direct current (DC) Number of motors depends on width and height.																			
MATERIAL	Aluminium : EN AW-6063 T66 (EN 573-3) Thermoplastic parts : Clips Polyamide PA 6,6 -reinforced with glass fibre																			
SURFACE TREATMENT	<ul style="list-style-type: none"> - standard aluminium anodised (15-20µm) according Qualanod - polyester powder coated (60-80µm) according Qualicoat Seaside type A - specific RAL codes and/or textured paint on request 																			
VISUAL FREE AREA	51% (open stand)																			
PHYSICAL FREE AREA	39% (open stand)																			
AIR FLOW DATA	<table border="1" style="width: 100%; border-collapse: collapse;"> <thead> <tr> <th style="background-color: #eee;">(EN13030)</th> <th style="background-color: #eee;">standard</th> </tr> </thead> <tbody> <tr> <td>Ce</td> <td>0,182</td> </tr> <tr> <td>K-factor intake</td> <td>30,19</td> </tr> <tr> <td>Cd</td> <td>0,206</td> </tr> <tr> <td>K-factor exhaust</td> <td>23,56</td> </tr> </tbody> </table>		(EN13030)	standard	Ce	0,182	K-factor intake	30,19	Cd	0,206	K-factor exhaust	23,56								
(EN13030)	standard																			
Ce	0,182																			
K-factor intake	30,19																			
Cd	0,206																			
K-factor exhaust	23,56																			
WATER RESISTANCE	<table border="1" style="width: 100%; border-collapse: collapse;"> <thead> <tr> <th style="background-color: #eee;">(EN13030)</th> <th style="background-color: #eee;">standard</th> </tr> </thead> <tbody> <tr> <td>v = 0 m/s</td> <td>B</td> </tr> <tr> <td>v = 0,5 m/s</td> <td>B</td> </tr> <tr> <td>v = 1 m/s</td> <td>C</td> </tr> <tr> <td>v = 1.5 m/s</td> <td>D</td> </tr> <tr> <td>v = 2 m/s</td> <td>D</td> </tr> <tr> <td>v = 2.5 m/s</td> <td>D</td> </tr> <tr> <td>v = 3 m/s</td> <td>D</td> </tr> <tr> <td>v = 3,5 m/s</td> <td>D</td> </tr> </tbody> </table>		(EN13030)	standard	v = 0 m/s	B	v = 0,5 m/s	B	v = 1 m/s	C	v = 1.5 m/s	D	v = 2 m/s	D	v = 2.5 m/s	D	v = 3 m/s	D	v = 3,5 m/s	D
(EN13030)	standard																			
v = 0 m/s	B																			
v = 0,5 m/s	B																			
v = 1 m/s	C																			
v = 1.5 m/s	D																			
v = 2 m/s	D																			
v = 2.5 m/s	D																			
v = 3 m/s	D																			
v = 3,5 m/s	D																			

3

2

1

D

D

C

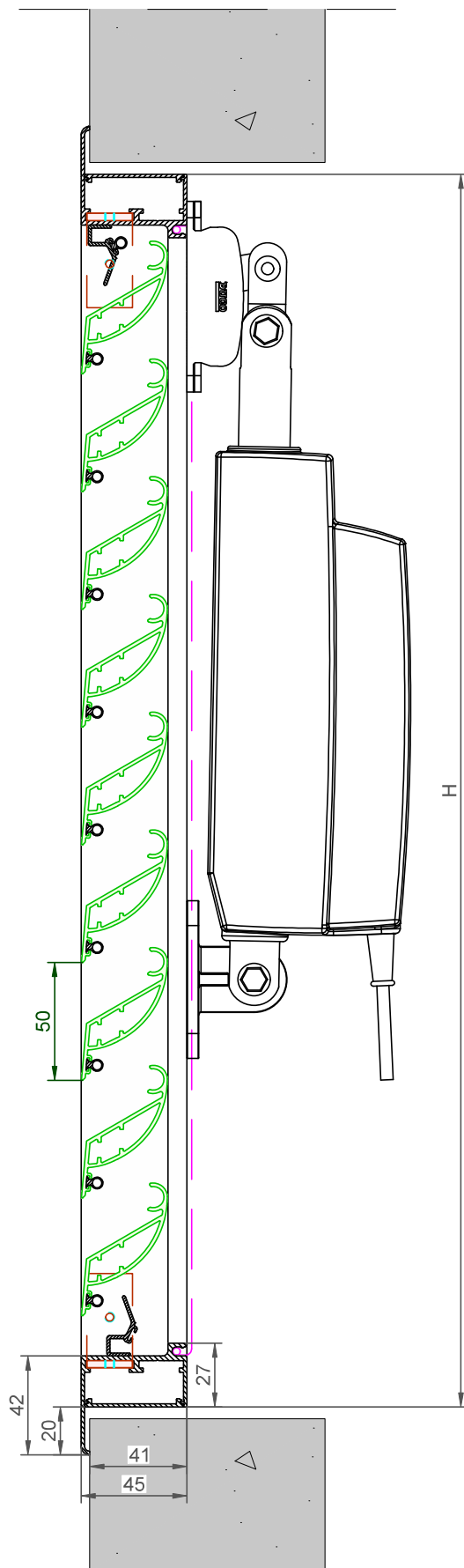
C

B

B

A

A

DucoGrille Close **G35Z** Motor

Datum : 22/03/2023

Schaal : 1:2

DUCO
Ventilation & Sun Control

Bedrijvenlaan 2 - 8630 VEURNE
tel. 0032-58/330066 - fax.0032-58/330067
email: info@duco.eu www.duco.eu

Deze tekening is eigendom van Duco Projects en mag niet gekopieerd
noch getoond worden aan derden zonder schriftelijke toestemming

Tol. : ISO 2768-mK

Getekend : SVE/JHX

Mat. :

Ref nr. :

Formaat : A3



omtrek

gewicht

lakoppervl.

Tekening nr. :

mm

kg/m

dm²/m

DGC-G35Z

3

2

1