

TECHNICAL DATA SHEET



Type	DucoGrille Classic N 130HP basic	
DESCRIPTION	Louvre "build-in" wall grille, high water resistance, high airflow	
SHAPE OF BLADE	130HP	
PITCH	50 mm	
EQUAL LEG OUTER FRAME	0 mm	
INSTALLATION DEPTH	165 mm	
FRAME DEPTH	165 mm	
MIN. DIMENSIONS	Width 250mm, Height 250mm. Exception on request.	
REACTION TO FIRE	If version with standard plastic clips : D-s2,d0 (EN13501-1) If version with metal clips (optional) : A2-s1,d0 (EN 13501-1)	
MESH	<ul style="list-style-type: none"> - standard with insectmesh 2.3 x 2.3 mm - optional without mesh - optional with bird mesh 6 x 6 mm - optional with bird mesh 20 x 20 mm 	
DRIP TRAY PROFILE	drip tray integrated in the frame profile, drainage via frame profile	
MATERIAL	Aluminium : EN AW-6063 T66 (EN 573-3) Profile thickness : min. 1,5mm Thermoplastic parts : Clips Polyamide PA 6,6 -reinforced with glass fibre Metal parts : Clips Zamak Electrophoresis blackened	
SURFACE TREATMENT	<ul style="list-style-type: none"> - standard aluminium anodised (15-20µm) according Qualanod - polyester powder coated (60-80µm) according Qualicoat Seaside type A - specific RAL codes and/or textured paint on request 	
VISUAL FREE AREA	88%	
PHYSICAL FREE AREA	70%	
AIR FLOW DATA	(EN13030)	standard
	Ce	0,321
	K-factor intake	9,70
	Cd	0,276
	K-factor exhaust	13,13
WATER RESISTANCE	(EN13030)	standard
	v = 0 m/s	A
	v = 0,5 m/s	A
	v = 1 m/s	A
	v = 1,5 m/s	B
	v = 2 m/s	B
	v = 2,5 m/s	C
	v = 3 m/s	D
v = 3,5 m/s	D	

3

2

1

D

D

C

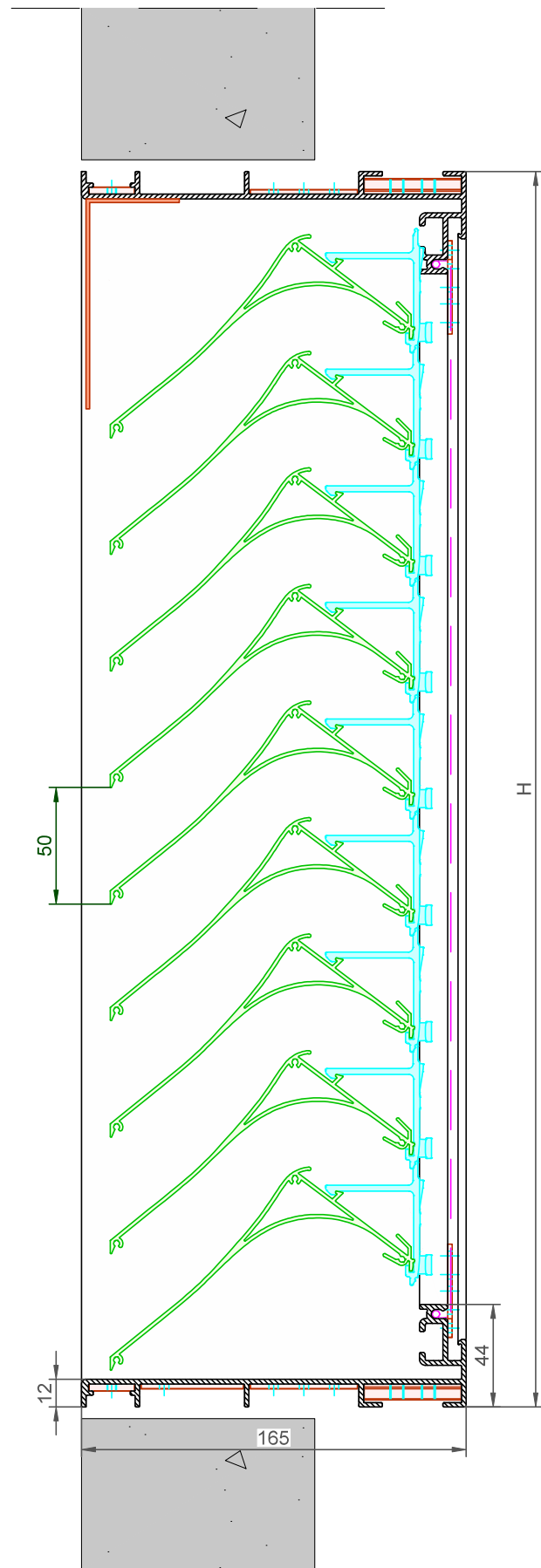
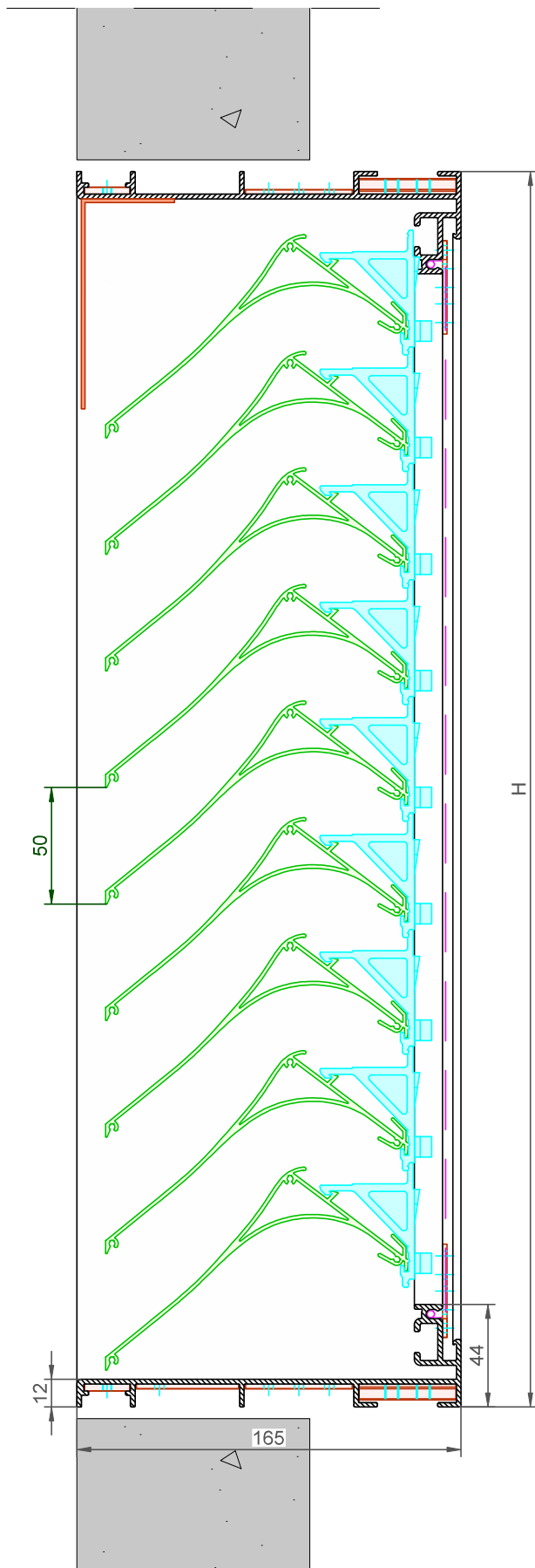
C

B

B

A

A

DucoGrille Classic **N130HP Basic**

Datum : 21/09/2023

Schaal : 1:2

DUCO
Ventilation & Sun Control

Bedrijvenlaan 2 - 8630 VEURNE
tel. 0032-58/330066 - fax.0032-58/330067
email: info@duco.eu www.duco.eu

Deze tekening is eigendom van Duco Projects en mag niet gekopieerd
noch getoond worden aan derden zonder schriftelijke toestemming

Tol. : ISO 2768-mK

Getekend : SDN/SVE/JHX

Mat. :

Ref nr. :

Formaat : A3



omtrek

gewicht

lakoppervl.

Tekening nr. :

DGC-N130HP Basic

Available with : • Standard plastic clip (left)
• Metal clip (right)

3

2

1