

# TECHNICAL DATA SHEET



Type	DucoGrille Classic N 130HP	
<b>DESCRIPTION</b>	Louvre "build-in" wall grille, high water resistance, high airflow	
<b>SHAPE OF BLADE</b>	130HP	
<b>PITCH</b>	50 mm	
<b>EQUAL LEG OUTER FRAME</b>	0 mm	
<b>INSTALLATION DEPTH</b>	165 mm	
<b>FRAME DEPTH</b>	165 mm	
<b>MIN. DIMENSIONS</b>	Width 250mm, Height 250mm. Exception on request.	
<b>REACTION TO FIRE</b>	If version with standard plastic clips : D-s2,d0 (EN13501-1) If version with metal clips (optional) : A2-s1,d0 (EN 13501-1)	
<b>MESH</b>	<ul style="list-style-type: none"> <li>- standard with insectmesh 2.3 x 2.3 mm</li> <li>- optional without mesh</li> <li>- optional with bird mesh 6 x 6 mm</li> <li>- optional with bird mesh 20 x 20 mm</li> </ul>	
<b>DRIP TRAY PROFILE</b>	drip tray integrated in the frame profile, drainage via frame profile and side channels	
<b>MATERIAL</b>	Aluminium : EN AW-6063 T66 (EN 573-3) Profile thickness : min. 1,5mm Thermoplastic parts : Clips Polyamide PA 6,6 -reinforced with glass fibre Metal parts : Clips Zamak Electrophoresis blackened	
<b>SURFACE TREATMENT</b>	<ul style="list-style-type: none"> <li>- standard aluminium anodised (15-20µm) according Qualanod</li> <li>- polyester powder coated (60-80µm) according Qualicoat Seaside type A</li> <li>- specific RAL codes and/or textured paint on request</li> </ul>	
<b>VISUAL FREE AREA</b>	88%	
<b>PHYSICAL FREE AREA</b>	70%	
<b>AIR FLOW DATA</b>	(EN13030)	standard
	Ce	0,333
	K-factor intake	9,02
	Cd	0,284
	K-factor exhaust	12,40
<b>WATER RESISTANCE</b>	(EN13030)	standard
	v = 0 m/s	A
	v = 0,5 m/s	A
	v = 1 m/s	A
	v = 1.5 m/s	A
	v = 2 m/s	A
	v = 2.5 m/s	A
	v = 3 m/s	C
v = 3,5 m/s	C	

3

2

1

D

D

C

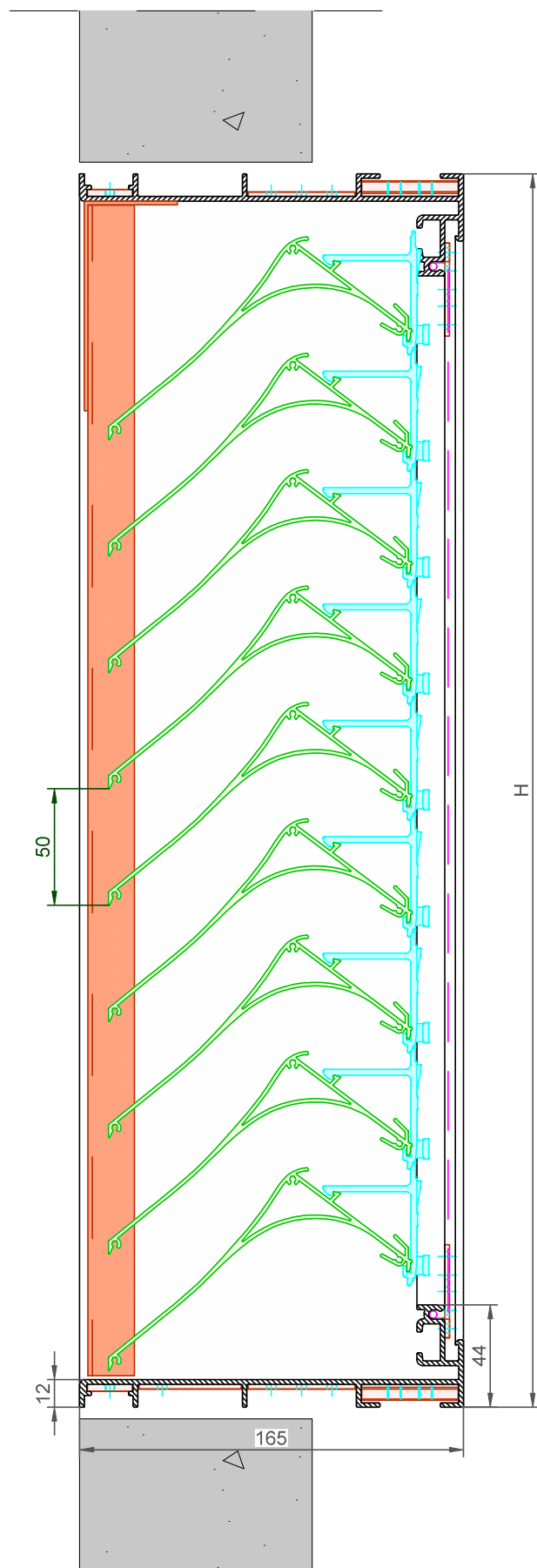
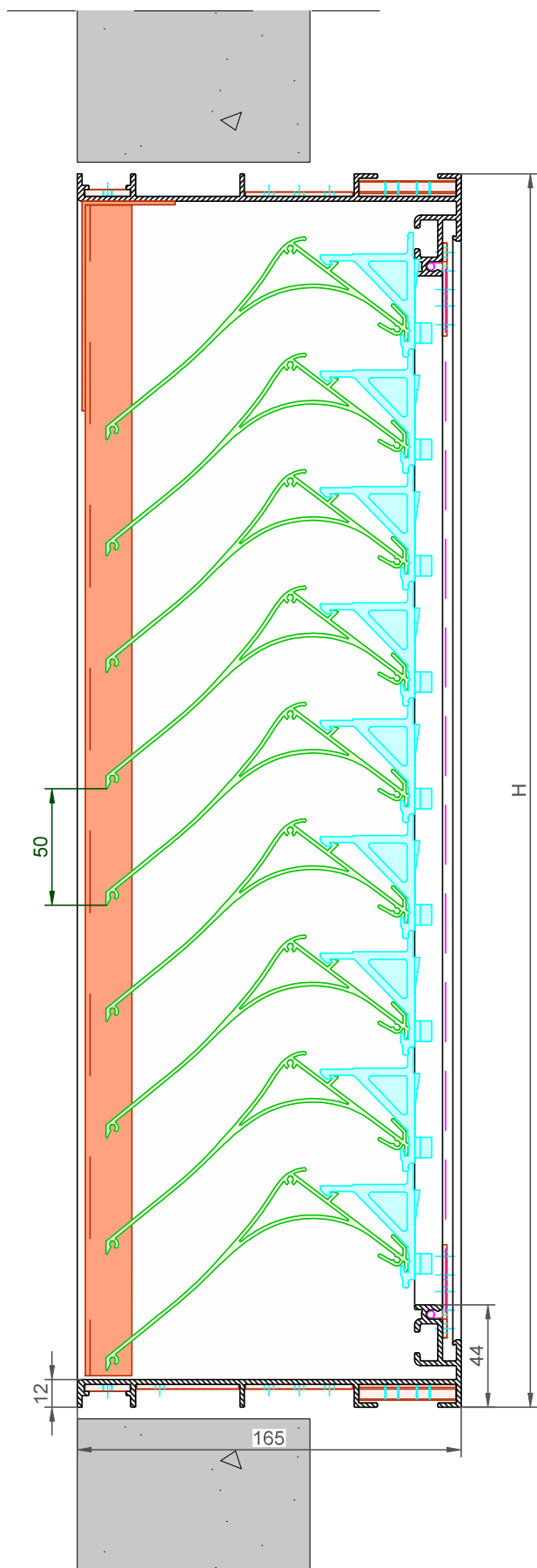
C

B

B

A

A

DucoGrille Classic **N130HP**

Datum : 21/09/2023

Schaal : 1:2

**DUCO**  
Ventilation & Sun Control

Tol. : ISO 2768-mK

Getekend : SDN/SVE/JHX

Mat. :

Ref nr. :

Formaat : A3



omtrek

gewicht

lakoppervl.

Tekening nr. :

DGC-N130HP

Bedrijvenlaan 2 - 8630 VEURNE  
tel. 0032-58/330066 - fax.0032-58/330067  
email: info@duco.eu www.duco.eu  
Deze tekening is eigendom van Duco Projects en mag niet gekopieerd  
noch getoond worden aan derden zonder schriftelijke toestemming

Available with : • Standard plastic clip (left)  
• Metal clip (right)

3

2

1