

NATURAL & SOUND ABSORBING VENTILATION



HOME OF OXYGEN

DUCO Ventilation & Sun Control provides every building with a healthy supply of oxygen. With a comprehensive range of innovative natural and mechanical ventilation systems, either combined with external solar shading or otherwise, DUCO offers the ultimate guarantee of a healthy and comfortable indoor climate. The occupant's health is,

therefore, central to DUCO. A well-thought-out combination of basic ventilation, mechanical extraction, purge ventilation and solar shading ensures optimum air quality. DUCO provides an innovative solution for residential buildings, offices, schools or care centres where everyone feels at home.

DUCO, Home of Oxygen

DUCO

GENERAL 4

PRODUCTS 6

BASIC VENTS

TopVent SR (AK+).....8
SkyVent SR (AK+).....10
DucoPlus 45.....12
DucoPlus 60.....14
DucoTon 80 SR.....16
DucoKlep 80 SR.....18
DucoLine 80 SR.....20
DucoFlat 80 SR.....22
DucoStrip.....24

SOUND ABSORBING VENTS

DucoStrip Acoustic.....28
GlasVent 100 SR AK.....30
MiniMax SR.....32
DucoMax SR / SkyMax SR.....34
Silenzio SR (AK) / Silenzio Retro SR.....36

MISCELLANEOUS 38

Dimensions and ordering information38
Controls & ancillaries.....48

TECHNICAL SPECIFICATION TABLE 52

Basic vents.....52
Sound absorbing vents.....54

DISCLAIMER

Illustrations in this catalogue may differ from the actual product. Printing errors and/or changes excepted. DUCO reserves the right to amend this information at any time. The information stated is valid as at 26.02.2024 and may be subject to changes in legislation.

A SOLUTION FOR EVERY SITUATION

→ Smart design

Compact window ventilator made of aluminium profiles. DUCO's window ventilators feature a **thermal break***.

* Except DucoTon 80 SR with 12 mm glazing channel

→ Finish

Each type of window ventilator in this leaflet meets the **Qualicoat** (per 01/01/2020 standard **Qualicoat Seaside-A**) and **Qualanod*** quality specifications and is available in **DAR, any RAL colour and/or in 'Bi-Color'***.

* Deviates per product. See technical specification table.



DucoTon 80 SR

→ Inner grid

Easy to clean thanks to **easily removable inner grid**.



TopVent SR (AK+)

→ For thick glazing units too

Glass-fitted window ventilators available for glass thicknesses **from 6 to 58 mm***.

* See page 39 for a summary by product.

→ Any building situation

Suitable for **new build and renovation projects** in both the residential and non-residential construction industry (offices, schools and healthcare institutions).

→ Any type of window

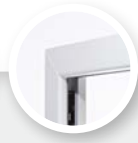
Easy to fit combined with timber windows as well as sliding windows in plastic, aluminium and steel. The window ventilators can even be **preinstalled in the factory** in many cases.



wood



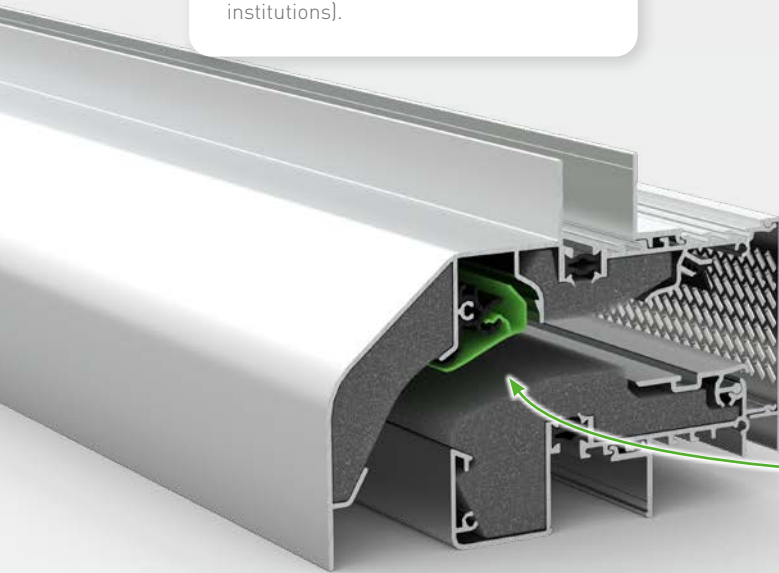
aluminium



PVC



steel



GlasVent 100 SR AK

→ SR flap

The mechanical self-regulating flap **prevents annoying drafts** and achieves energy savings.



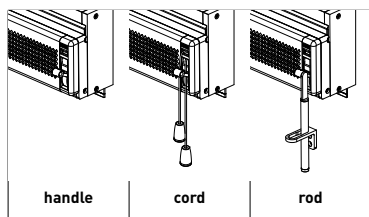
→ High-rise



SkyMax SR and SkyVent SR can be used at **up to 70 m** height.

→ Operation

Simple operation by handle / cord / rod or hand.



→ Sound absorption



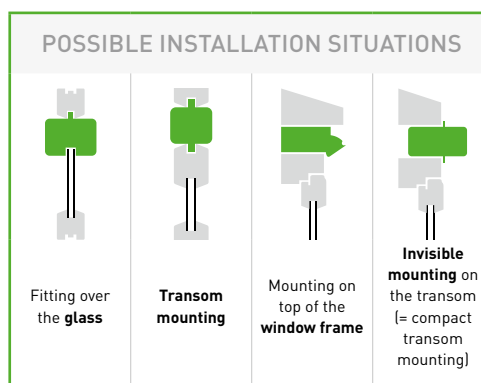
Sustainable sound absorbing material ensures **acoustic comfort** and does not cause complaints due to allergies.









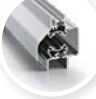


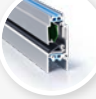

DucoMax SR / SkyMax SR

PRODUCTOVERVIEW

DUCO has developed a wide range of window ventilators. From acoustic to aesthetically refined window vents. DUCO can offer a tailor-made system in every case: **you name it, we have it!**



BASIC VENTS

	TopVent SR Invisible ventilation		600 Pa Class 4	x	x	✓	x	see p. 8
	SkyVent SR For high-rise applications		600 Pa Class 4	x	x	✓	x	see p. 10
	DucoPlus 45 Minimum subtraction of glass height		450 Pa Class 2	✓	x	x	x	see p. 12
	DucoPlus 60 Compact vent		650 Pa Class 3	✓	x	x	x	see p. 14
	DucoTon 80 SR Timeless classic		650 Pa Class 3	✓	✓	x	x	see p. 16
	DucoKlep 80 SR Flat inner grid		450 Pa Class 2	✓	✓	x	x	see p. 18
	DucoLine 80 SR Available with three different air passages		450 Pa Class 2	✓	✓	x	x	see p. 20
	DucoFlat 80 SR Completely flat window vent		650 Pa Class 3	✓	✓	x	x	see p. 22
	DucoStrip Aluminium slot ventilator		300 Pa Class 2	Through the frame				see p. 24

Legend



Light sound attenuation
Can be used in projects with **light** noise exposure



Heavy sound attenuation
Can be used in projects with **heavy** noise exposure

POSSIBLE INSTALLATION SITUATIONS



Fitting over the glass



Transom mounting



Mounting on top of the window frame



Invisible mounting on the transom (= compact transom mounting)

Wind tightness closed position

SOUND ABSORBING VENTS



TopVent SR AK(+)

Invisible ventilation



600 Pa
Class 4

×

×

✓

×

see p. 8



SkyVent SR AK(+)

For high-rise applications



600 Pa
Class 4

×

×

✓

×

see p. 10



DucoStrip Acoustic

Sound absorbing aluminium slot ventilator



300 Pa
Class 2

Through the frame

see p. 28



GlasVent 100 SR AK

Acoustic ventilator



600 Pa
Class 3

✓

✓

×

×

see p. 30



MiniMax SR

'Invisible' fitting



600 Pa
Class 3

×

✓

×

✓

see p. 32



DucoMax SR

Superior sound absorption



600 Pa
Class 2

✓

✓

✓

✓

see p. 34

or mounting through (outside) wall



SkyMax SR

For high-rise applications



600 Pa
Class 2

✓

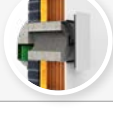
✓

×

✓

see p. 34

or mounting through (outside) wall



Silenzio SR

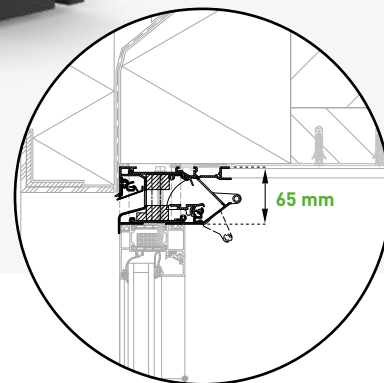
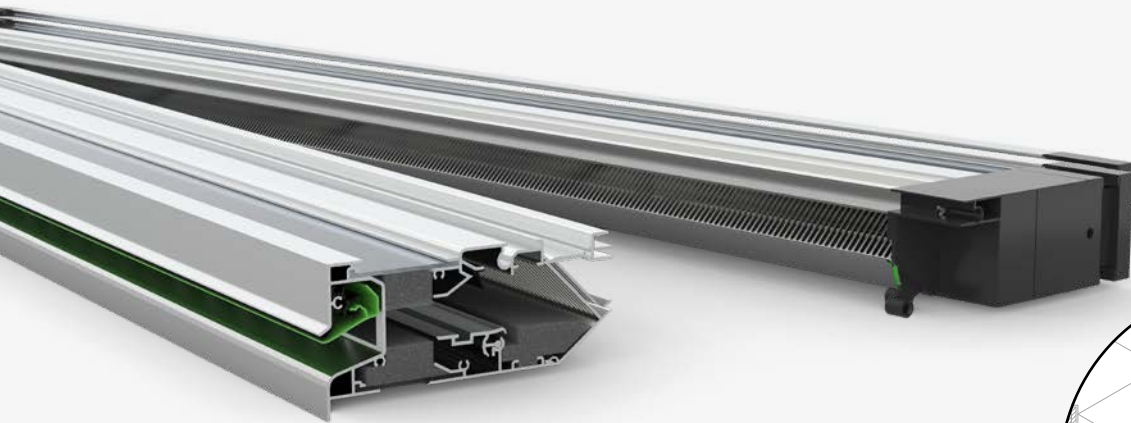
Design wall damper



300 Pa
Class 2

Fitting through the (outer) wall

see p. 36



Mounting **on top of the window**

TopVent SR (AK+)

Compact & aesthetic

With the **TopVent** range, DUCO puts energy efficiency, acoustic and thermal comfort first. The aesthetic appearance of the window vent is enhanced by the **invisible punching**. The upward airflow guarantees a healthy and comfortable indoor climate. The vent guarantees quick installation, high stability on the window and the **highest airtightness class**. The top is transparent and features pre-drilled glass fibre-reinforced ties. The anchor channel at the top provides a rapid and secure fixing to the solid structure.

A variant was specifically designed for the UK in line with current regulations: the **TopVent UK**. Here the internal ventilation flap is limited to the equivalent area of 5000, 7500 or 10000 mm². This is always performed in a sound absorbing AK version.

- Optimum aesthetics thanks to **'invisible' punching**
- Suitable for fitting on **any window section**: depths from 60 to 215 mm
- Only **60 mm grille height**
- **Plastic thermal bridge** top and bottom

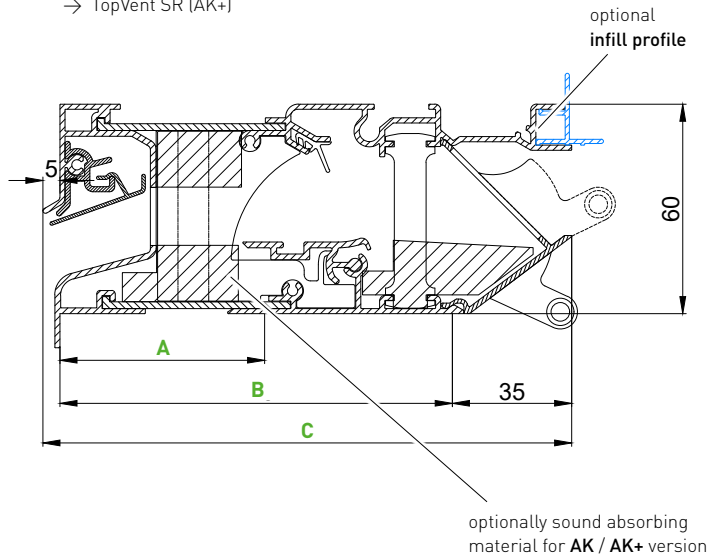
	Corto	Medio	Alto	Largo
U-value	4,14	4,12	3,60	3,42
Wind protection class closed position	Class 4			
Wind tightness closed position	600			
Water resistance class closed position	E1350			
Watertightness closed position	1350			

Standards: consult the table on page 52.



Application height depending on installation situation, see link.duco.eu/installation-height for more info.

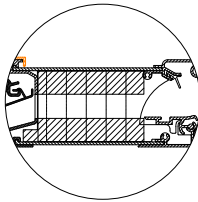
→ TopVent SR (AK+)



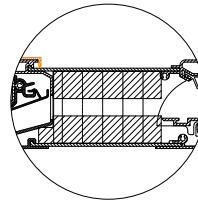
FITTING DEPTHS

Version	Dimensions (see drawing)		
	A	B	C
Corto	60	85	125
Medio	60	115	155
Alto	110*	165	205
Largo	160*	215	255

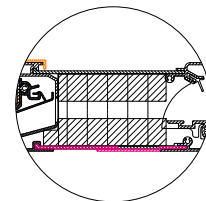
* Also applicable from 60 mm with extended bottom profile.



AK



AK+



Extended bottom section

→ **Ventilation values**

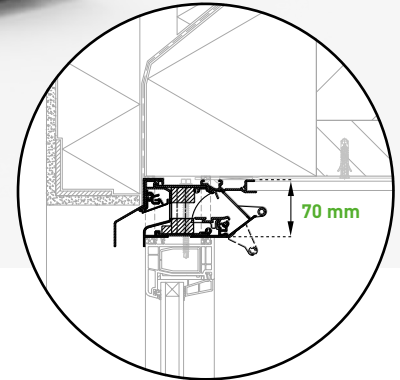
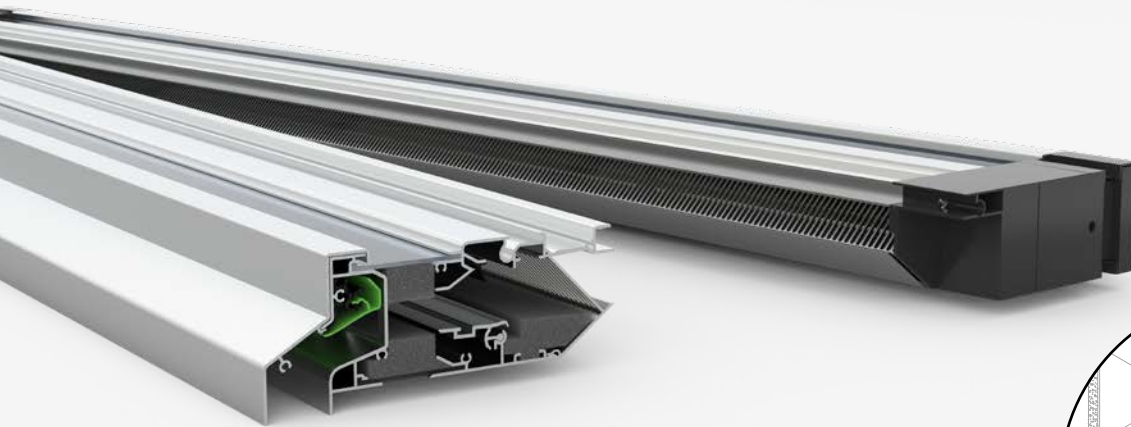
Type TopVent SR	Airflow (Q) in l/s/m at...				Airflow (Q) in m³/h/m at...				Equivalent area at 1 Pa in mm²/m	Geometrical Free Area in mm²/m
	1 Pa	2 Pa	10 Pa	20 Pa	1 Pa	2 Pa	10 Pa	20 Pa		
STD	12,2	18,1	21,9	21,9	43,9	69,0	83,0	78,9	15517,2	17000
AK	12,2	18,1	21,9	21,9	43,9	69,0	83,0	78,9	15517,2	17000
AK+	8,3	12,5	15,8	13,9	29,9	48,0	58,0	49,9	10556,8	12000
UK AK EA5000	4,0	5,9	7,2	7,2	14,4	21,3	25,9	25,9	5600	17000
UK AK EA7500	5,9	8,7	10,6	10,6	21,2	31,4	38,2	38,2	8200	17000
UK AK EA10000	7,9	11,7	14,2	14,2	28,4	42,1	51,2	51,1	11000	17000

* According to EN ISO 717

→ **Sound reduction**

Type TopVent SR	Sound absorption $D_{n,e}, W(C;C_{tr})^*$ in dB							
	OPEN position				CLOSED position			
	Corto	Medio	Alto	Largo	Corto	Medio	Alto	Largo
STD	31 [-1;-2]				43 [0;-1]	47 [0;-2]	47 [0;-2]	47 [0;-2]
AK	33 [0;-1]	34 [0;-2]	36 [-1;-2]	37 [0;-2]	43 [0;-1]	52 [-1;-3]	55 [0;-3]	56 [-1;-4]
AK+	✗	✗	38 [-1;-3]	40 [0;-2]	✗	✗	55 [0;-3]	56 [-1;-4]
UK AK EA5000	38 [0;-1]	40 [-1;-2]	41 [-1;-2]	43 [0;-2]	53 [0;-2]	52 [-1;-3]	54 [-1;-4]	58 [-1;-4]
UK AK EA7500	36 [0;-1]	38 [-1;-2]	40 [-1;-2]	41 [-1;-2]	52 [0;-2]	52 [-1;-3]	54 [-1;-3]	58 [-1;-4]
UK AK EA10000	35 [0;-1]	36 [0;-2]	38 [-1;-2]	39 [0;-2]	51 [0;-1]	52 [-1;-3]	54 [-1;-3]	58 [-1;-4]

* According to EN ISO 717



Mounting on top of the window

SkyVent SR (AK+)

For high-rise buildings up to 70 meters!

The **SkyVent** offers the same advantages and values as the TopVent (see page 8), but is additionally equipped with an aluminium outer profile for **maximum wind and water tightness**. As a result, the **SkyVent** is applicable at greater heights (up to 70 metres) with both visible (= discreet) and invisible mounting.



Specifically for the UK, a variant was tailored to the applicable regulations: the **SkyVent UK**. Here the internal ventilation flap is limited to the equivalent area of 5000, 7500 or 10000 mm². This is always performed in a sound absorbing AK version.

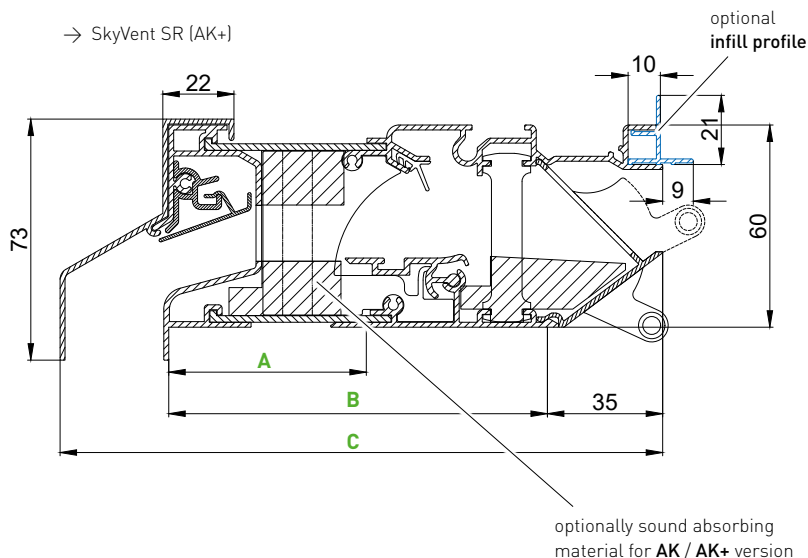
- For high-rise buildings: **up to 70m high!**
- **High performance** ventilation
- Aesthetic outer cover
- **Highest class of** wind- and watertightness

	Corto	Medio	Alto	Largo
U-value	4,14	4,12	3,60	3,42
Wind protection class closed position	Class 4			
Wind tightness closed position	600			
Water resistance class closed position	E1350			
Watertightness closed position	1350			

Standards: consult the table on page 52.



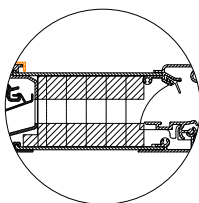
Application height depending on installation situation, see link.duco.eu/installation-height for more info.



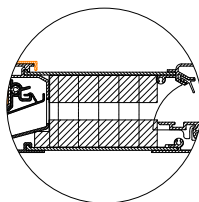
FITTING DEPTHS

Version	Dimensions (see drawing)		
	A	B	C
Corto	60	85	153
Medio	60	115	183
Alto	110*	165	233
Largo	160*	215	283

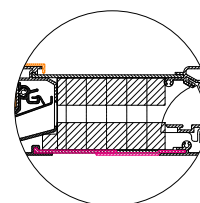
* Also applicable from 60 mm with extended bottom profile.



AK



AK+



Extended bottom section

→ Ventilation values

Type SkyVent SR	Airflow (Q) in l/s/m at...				Airflow (Q) in m³/h/m at...				Equivalent area at 1 Pa in mm²/m	Geometrical Free Area in mm²/m
	1 Pa	2 Pa	10 Pa	20 Pa	1 Pa	2 Pa	10 Pa	20 Pa		
STD	12,2	18,1	21,9	21,9	43,9	69,0	83,0	78,9	15517,2	17000
AK	12,2	18,1	21,9	21,9	43,9	69,0	83,0	78,9	15517,2	17000
AK+	8,3	12,5	15,8	13,9	29,9	48,0	58,0	49,9	10556,8	12000
UK AK EA5000	4,0	5,9	7,2	7,2	14,4	21,3	25,9	25,9	5600	17000
UK AK EA7500	5,9	8,7	10,6	10,6	21,2	31,4	38,2	38,2	8200	17000
UK AK EA10000	7,9	11,7	14,2	14,2	28,4	42,1	51,2	51,1	11000	17000

* According to EN ISO 717

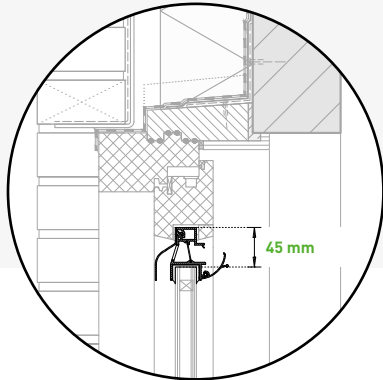
→ Sound reduction

Type SkyVent SR	Sound absorption $D_{n,e}, W(C;C_{tr})$ in dB							
	OPEN position				CLOSED position			
	Corto	Medio	Alto	Largo	Corto	Medio	Alto	Largo
STD	31 [-1;-2]				43 [0;-1]	47 [0;-2]	47 [0;-2]	47 [0;-2]
AK	33 [0;-1]	34 [0;-2]	36 [-1;-2]	37 [0;-2]	43 [0;-1]	52 [-1;-3]	55 [0;-3]	56 [-1;-4]
AK+	✗	✗	38 [-1;-3]	40 [0;-2]	✗	✗	55 [0;-3]	56 [-1;-4]
UK AK EA5000	38 [0;-1]	40 [-1;-2]	41 [-1;-2]	43 [0;-2]	53 [0;-2]	52 [-1;-3]	54 [-1;-4]	58 [-1;-4]
UK AK EA7500	36 [0;-1]	38 [-1;-2]	40 [-1;-2]	41 [-1;-2]	52 [0;-2]	52 [-1;-3]	54 [-1;-3]	58 [-1;-4]
UK AK EA10000	35 [0;-1]	36 [0;-2]	38 [-1;-2]	39 [0;-2]	51 [0;-1]	52 [-1;-3]	54 [-1;-3]	58 [-1;-4]

* According to EN ISO 717



→ Dimensions & order information: see page 38 → Controls & ancillaries: see page 48
 → Full specifications: see page 52



Fitting over the **glass**

DucoPlus 45

Minimum subtraction of glass height

DucoPlus 45 is a controllable, aluminium glazed-in window ventilator featuring a curved cover that guarantees superior weatherability. The operable inner cover directs the flow of incoming air upwards.

- Subtraction of glass height of just **45 mm**
- **Thermal** break
- **Insect-resistant**

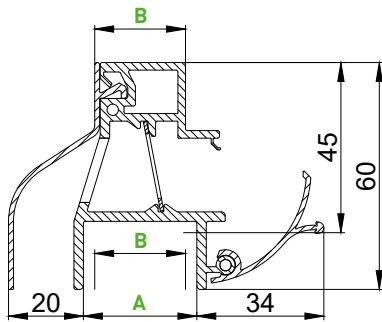
U-value	1,84
Wind protection class closed position	Class 2
Wind tightness closed position	450
Water resistance class closed position	E900
Watertightness closed position	900
Subtraction of glass height	45 mm

Standards: consult the table on page 52.



Application height depending on installation situation, see link.duco.eu/installation-height for more info.

→ DucoPlus 45
fitting over glass



VERSIONS WITH GLAZING CHANNELS

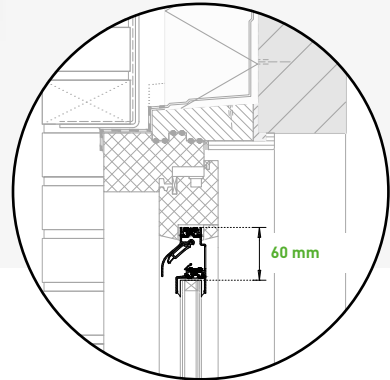
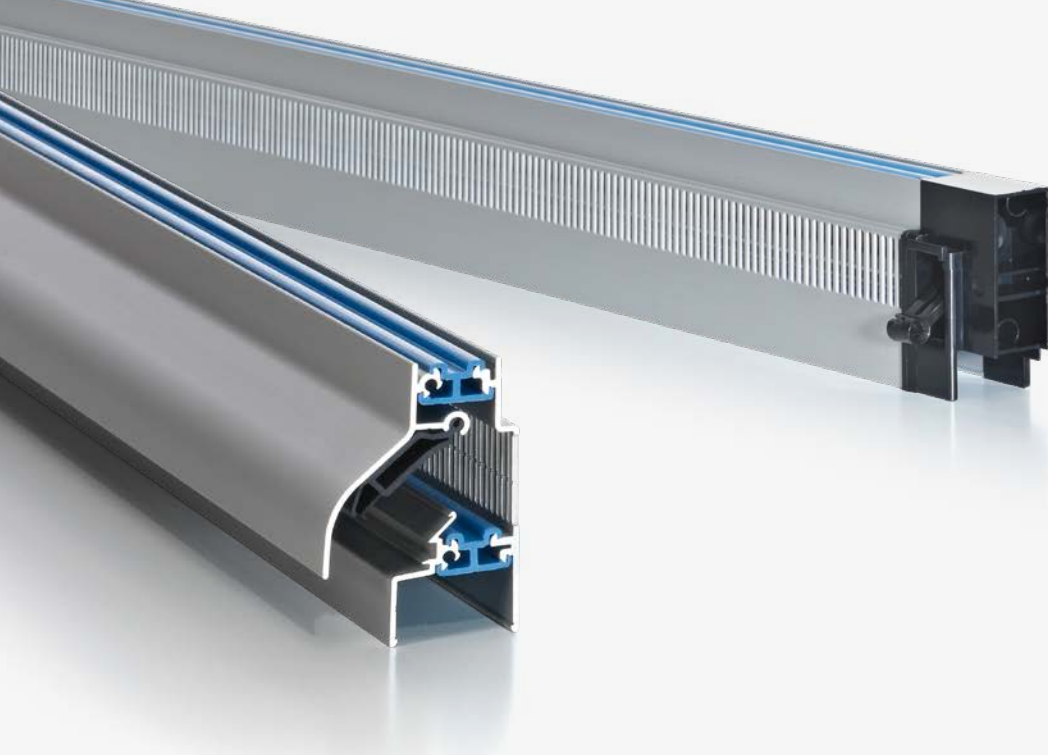
	Dimensions (mm)		
Glazing channel(A)	30	34	38
Glass thickness* (B)	24	28	32

* The specified glass thickness is applicable to [DUCO] glazing seals. For sealants, min. 4 to max. 8 mm should be provided between glass thickness and glazing channel.

→ Ventilation and sound reduction performance

Type	Airflow (Q) in l/s/m at...			Airflow (Q) in m ³ /h/m at...			Equivalent area at 1 Pa in mm ² /m	Geometrical Free Area in mm ² /m	Sound absorption D _{n,e} , W (C;C _{tr})* in dB	
	1 Pa	2 Pa	10 Pa	1 Pa	2 Pa	10 Pa			OPEN position	CLOSED position
DucoPlus 45	7,1	10,03	22,50	25,56	36,10	81,00	8980	10000	25 (0;0)	41 (-1;-2)

* According to EN ISO 717



Fitting over the **glass**

DucoPlus 60

Compact vent

DucoPlus 60 is a compact flap window ventilator. This ventilator ensures excellent airflow in spite of a subtraction of glass height of just 60 mm. The perforated inner grid keeps insects out.

- **Minimal subtraction of glass height**, maximum airflow
- Favourable **acoustic** properties
- Authentic DUCO '**Soft-Line**' design

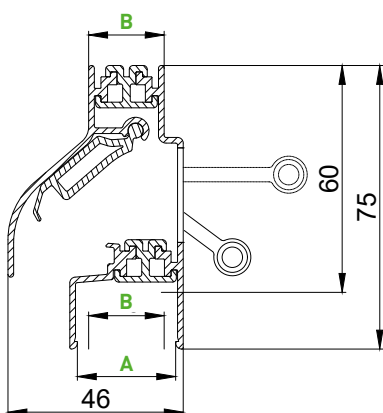
U-value	4,02
Wind protection class closed position	Class 3
Wind tightness closed position	650
Water resistance class closed position	E650
Watertightness closed position	650
Subtraction of glass height	60 mm

Standards: consult the table on page 52.



Application height depending on installation situation, see link.duco.eu/installation-height for more info.

→ DucoPlus 60
fitting over glass



VERSIONS WITH GLAZING CHANNELS

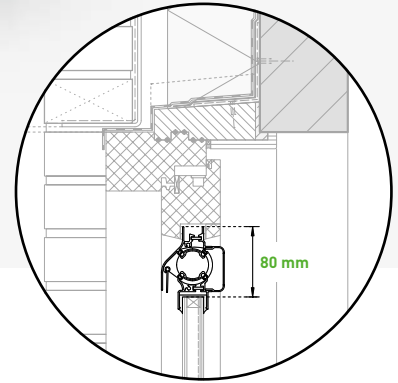
	Dimensions (mm)			
Glazing channel(A)	26	30	34	38
Glass thickness* (B)	20	24	28	32

* The specified glass thickness is applicable to [DUCO] glazing seals. For sealants, min. 4 to max. 8 mm should be provided between glass thickness and glazing channel.

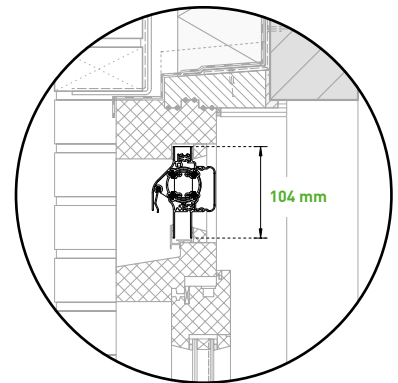
→ Ventilation and sound reduction performance

Type	Airflow (Q) in l/s/m at...			Airflow (Q) in m³/h/m at...			Equivalent area at 1 Pa in mm²/m	Geometrical Free Area in mm²/m	Sound absorption $D_{n,e}, W(C;C_{tr})^*$ in dB	
	1 Pa	2 Pa	10 Pa	1 Pa	2 Pa	10 Pa			OPEN position	CLOSED position
DucoPlus 60	11,2	15,8	34,9	40,3	56,7	125,6	14224	15000	25 (0;0)	39 (-1;-1)

* According to EN ISO 717



Fitting over glass



Transom mounting

DucoTon 80 SR

Timeless classic

DucoTon 80 SR is a self-regulating 'rotary drum' window ventilator with a 'Soft-Line' design outer section. This product was introduced in 1992 and has since been used successfully for various projects.

- Authentic DUCO 'Soft-Line' design
- **Double sealing** with brushes with Finseal insert
- **Subtraction of glass height 80** is mighty
- Excellent **thermal performance**
- Can be used with **any glass thickness** (up to 36 mm)

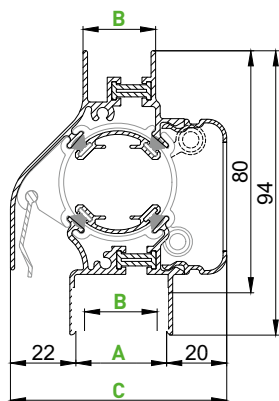
U-value	2,26
Wind protection class closed position	Class 3
Wind tightness closed position	650
Water resistance class closed position	8A
Watertightness closed position	450
Subtraction of glass height	80 mm

Standards: consult the table on page 52.

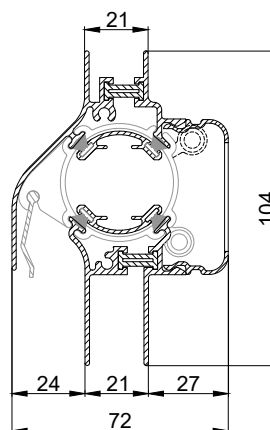


Application height depending on installation situation, see link.duco.eu/installation-height for more info.

→ DucoTon 80 SR
fitting over the glass



→ DucoTon 80 SR
transom mounting



VERSIONS WITH GLAZING CHANNEL

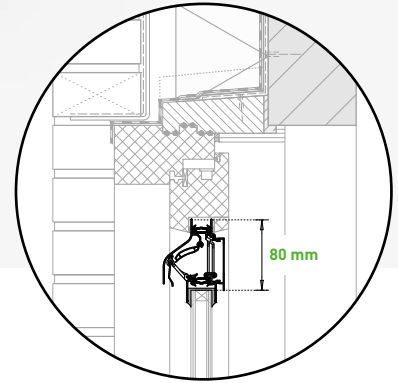
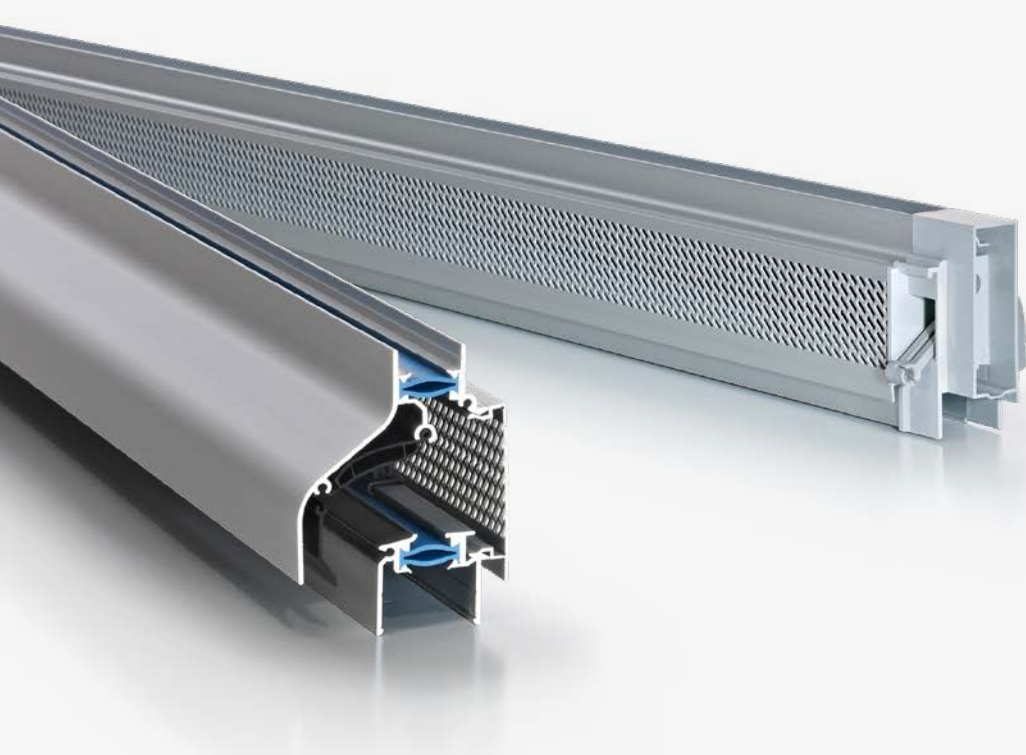
	Dimensions (mm)						
Glazing channel (A)	12**	21	26	30	34	38	42
Glass thickness* (B)	6	15	21	24	28	32	36
Vent depth (C)	72	72	72	72	79	79	79

GG 12: Bi-colour and SR-flap not possible
 GG 21: Only available in DAR, RAL 9010 or RAL 9001 and SR-flap not possible
 * The specified glass thickness is applicable with [DUCO] glazing rubber. For sealants, min. 4 to max. 8 mm should be provided between glass thickness and glazing channel.
 ** With glazing channel 12, there is no thermal break.

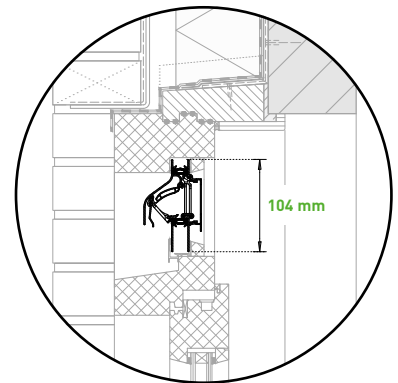
→ Ventilation and sound reduction performance

Type	Airflow (Q) in l/s/m at...			Airflow (Q) in m³/h/m at...			Equivalent area at 1 Pa in mm²/m	Geometrical Free Area in mm²/m	Sound absorption D _{n,e} W (C; C _{tr}) [*] in dB	
	1 Pa	2 Pa	10 Pa	1 Pa	2 Pa	10 Pa			OPEN position	CLOSED position
DucoTon 80 SR	10,2	12,3	15,7	36,7	44,3	56,6	12980	14400	27 [-1;-1]	34 [0;-1]

* According to EN ISO 717



Fitting over the **glass**



Transom mounting

Duco**Klep** 80 SR

Flat inner grid

Duco**Klep** 80 SR is a self-regulating flap ventilator with a completely flat inner grid. This makes it suitable for use in the fixed pane of a sliding window. The vent optionally comes with a thumb control handle.

- Authentic DUCO '**Soft-Line**' design
- Suitable for applications in the fixed panes of a **sliding window**
- **Subtraction of glass height 80** is mighty
- **Excellent airflow**
- Can be used with **any glass thickness** (up to 48 mm)

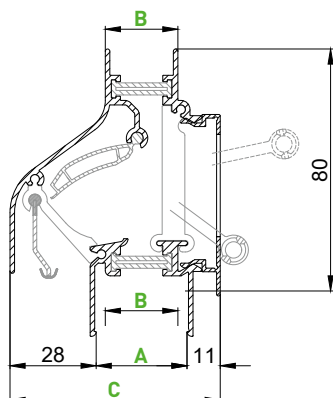
U-value	2,4
Wind protection class closed position	Class 2
Wind tightness closed position	450
Water resistance class closed position	E650
Watertightness closed position	650
Subtraction of glass height	80 mm

Standards: consult the table on page 52.

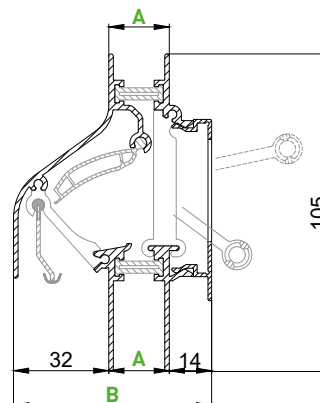


Application height depending on installation situation, see link.duco.eu/installation-height for more info.

→ DucoKlep 80 SR
fitting over the glass



→ DucoKlep 80 SR
transom mounting



VERSIONS WITH GLAZING CHANNEL

	Dimensions (mm)							
Glazing channel(A)	26	30	34	38	42	46	50	54
Glass thickness* (B)	20	24	28	32	36	40	44	48
Vent depth (C)	63	67	71	75	79	83	87	91

* The specified glass thickness is applicable to (DUCO) glazing seals. For sealants, min. 4 to max. 8 mm should be provided between glass thickness and glazing channel.

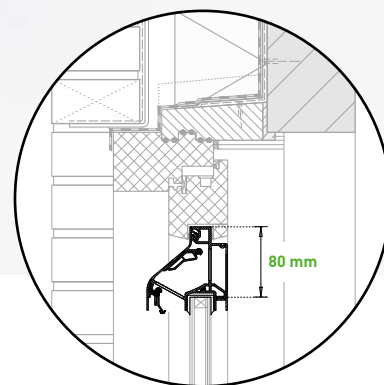
VERSIONS WITH TRANSOM PROFILE

	Dimensions (mm)	
Transom profile (A)	20	24
Vent depth (B)	66	70

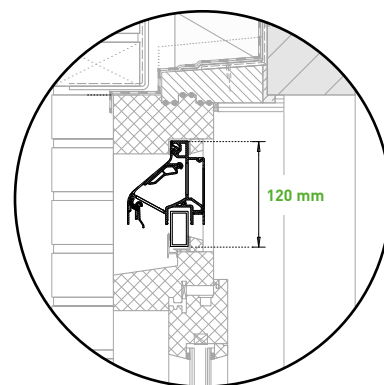
→ Ventilation and sound reduction performance

Type	Airflow (Q) in l/s/m at...			Airflow (Q) in m ³ /h/m at...			Equivalent area at 1 Pa in mm ² /m	Geometrical Free Area in mm ² /m	Sound absorption D _{n,e} , W(C;C _{tr}) [*] in dB	
	1 Pa	2 Pa	10 Pa	1 Pa	2 Pa	10 Pa			OPEN position	CLOSED position
DucoKlep 80 SR	15,2	15,5	15,6	54,7	55,9	56,3	19342	19200	25 (0;-1)	37 (0;0)

* According to EN ISO 717



Fitting over the **glass**



Transom mounting

DucoLine 80 SR

Available with three different air passages

DucoLine 80 SR is a self-regulating flap window ventilator which supplies each room with optimal ventilation. The design of the inside boasts a completely flat inner grid. The choice of handle determines the ventilation capacity.

- One window ventilator, available with **three different air outlets**
- **Subtraction of glass height 80** is mighty
- Excellent **thermal performance**
- Completely **flat inner grid**
- Can be used with **any glass thickness** (up to 46 mm)

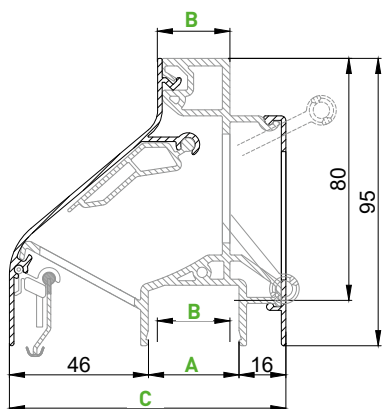
U-value	2,81
Wind protection class closed position	Class 2
Wind tightness closed position	450
Water resistance class closed position	E700
Watertightness closed position	700
Subtraction of glass height	80 mm

Standards: consult the table on page 52.

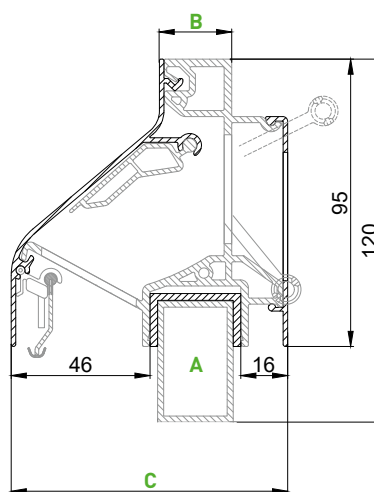


Application height depending on installation situation, see link.duco.eu/installation-height for more info.

→ DucoLine 80 SR fitting over the glass



→ DucoLine 80 SR transom mounting



VERSIONS WITH GLAZING CHANNEL

	Dimensions (mm)						
Glazing channel (A)	26	30	34	38	42	48	52
Glass thickness* (B)	20	24	28	32	36	42	46
Vent depth (C)	88	92	96	100	104	110	114

* The specified glass thickness is applicable to [DUCO] glazing seals. For sealants, min. 4 to max. 8 mm should be provided between glass thickness and glazing channel.

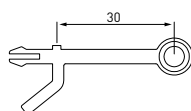
VERSIONS WITH TRANSOM PROFILE

	Dimensions (mm)		
Transom profile (A)	40 x 20	40 x 25	40 x 35
Top section (B)	20	24	36
Vent depth (C)	88	91	104

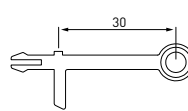
HANDLES

The choice of handle determines the ventilation capacity.

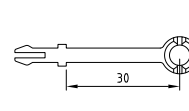
→ Handle **DucoLine 30 / 10**
Also available in longer length [DucoLine 50 / 10]



→ Handle **DucoLine 30 / 17**
Also available in longer length [DucoLine 50 / 17]



→ Handle **30**
Also available in other lengths [see page 48]



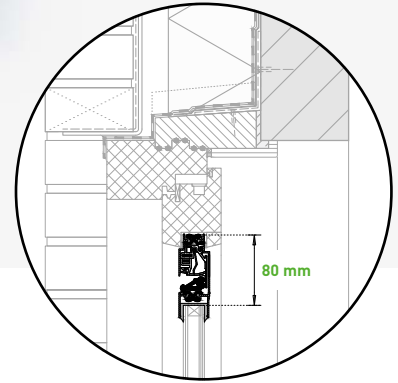
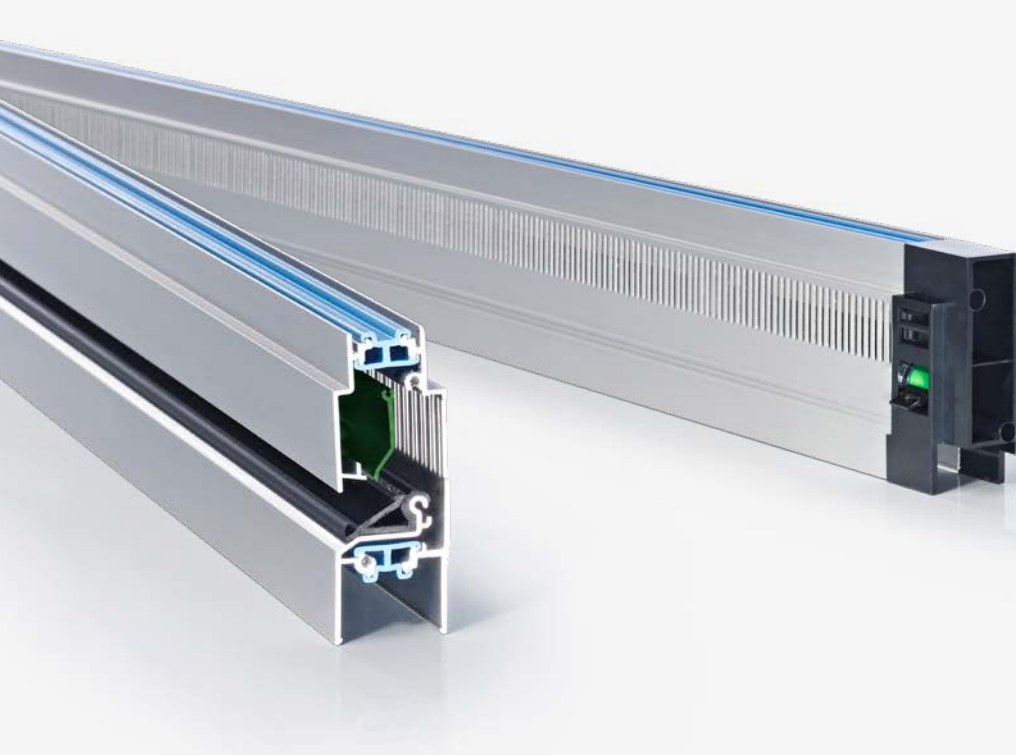
→ Ventilation and sound reduction performance

Type DucoLine 80 SR	Airflow (Q) in l/s/m at...				Airflow (Q) in m³/h/m at...				Equivalent area at 1 Pa in mm²/m	Geometrical Free Area in mm²/m	Sound absorption $D_{n,e} W(C; C_{tr})^*$ in dB	
	1 Pa	2 Pa	10 Pa	20 Pa	1 Pa	2 Pa	10 Pa	20 Pa			OPEN position	CLOSED position
Handle DucoLine 30 / 10	10,7	16,4	14,4	49,1	38,5	59	52	176,8	13615,8	10800	29 [-1;-2]	33 [-1;-2]
Handle DucoLine 30 / 17	17,4	23,0	21,0	75,7	62,6	82,8	75,5	272,5	22141,5	19300	28 [-1;-2]	33 [-1;-2]
Handle 30	22,6	29,6	27,4	98,7	81,4	106,7	98,5	355,3	28758,5	29500	26 [0;0]	33 [-1;-2]

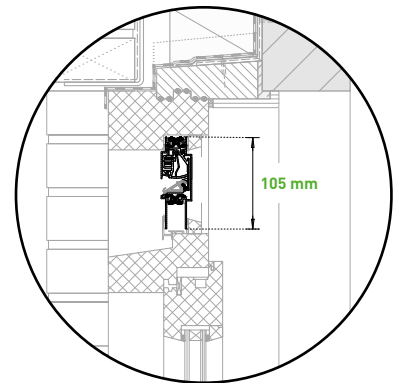
* According to EN ISO 717



→ Dimensions & order information: see page 38 → Controls & ancillaries: see page 48
→ Full specifications: see page 52



Fitting over the **glass**



Transom mounting

DucoFlat 80 SR

Self-regulating flat vent

DucoFlat 80 SR is a self-regulating window ventilator specially developed for use in sliding and fixed panes of a sliding window or sliding door. The window vent has a subtraction of glass height of only 80 mm.

NOTE: **DucoFlat 80 SR** is only applicable for (sliding) windows in low-rise buildings up to 15 m (= about 5 building layers) and is always fitted with the SR flap.

- Completely **flat vent**
- Suitable for installation in the **sliding and fixed panes of a sliding window** or sliding door
- **Subtraction of glass height 80** is mighty

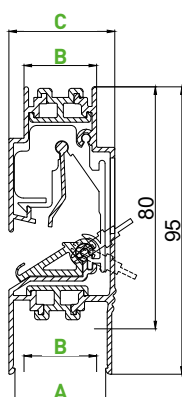
U-value	3
Wind protection class closed position	Class 3
Wind tightness closed position	650
Water resistance class closed position	5A
Watertightness closed position	200
Subtraction of glass height	80 mm

Standards: consult the table on page 52.

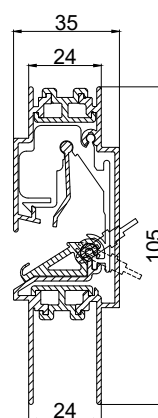


Application height depending on installation situation, see link.duco.eu/installation-height for more info.

→ DucoFlat 80 SR fitting over the glass



→ DucoFlat 80 SR transom mounting

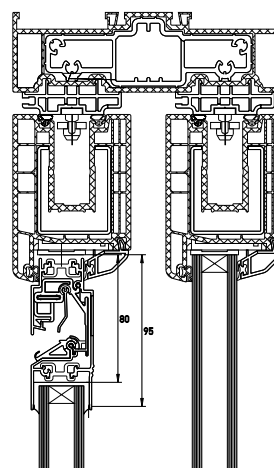


VERSIONS WITH GLAZING CHANNEL

	Dimensions (mm)		
	Glazing channel(A)	30	34
Glass thickness* (B)	24	28	32
Vent depth (C)	35	39	43

* The specified glass thickness is applicable to (DUCO) glazing seals. For sealants, min. 4 to max. 8 mm should be provided between glass thickness and glazing channel.

Example of glazed-in sliding doors



→ Ventilation and sound reduction performance

Type	Airflow (Q) in l/s/m at...				Airflow (Q) in m³/h/m at...				Equivalent area at 1 Pa in mm²/m	Geometrical Free Area in mm²/m	Sound absorption D _{n,e} , W (C;C _v)' in dB	
	1 Pa	2 Pa	10 Pa	20 Pa	1 Pa	2 Pa	10 Pa	20 Pa			OPEN position	CLOSED position
DucoFlat 80 SR	11,5	13,8	19,0	18,1	41,4	49,7	68,3	65,3	14685	15000	27 (0;-1)	44 (0;0)

* According to EN ISO 717



→ Dimensions & order information: see page 38 → Controls & ancillaries: see page 48
 → Full specifications: see page 52



DucoStrip

Aluminium slot ventilator

DucoStrip is an aluminium “through-the-frame” slot ventilator. The combination of its attractive design with integrated end caps and high-quality polyester powder coating makes **DucoStrip** the preferred choice for any type of window frame.

NOTE: **DucoStrip** is only suitable for windows in low-rise buildings (up to second floor).

- Smooth and slim with **minimal projection**
- Incoming airflow deflected **upwards**
- Installation screws concealed by **smooth end caps**

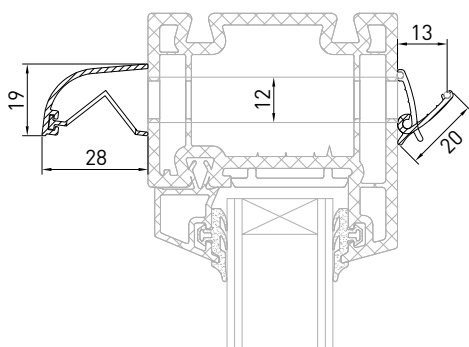
Wind protection class closed position	Class 2
Wind tightness closed position	300
Water resistance class closed position	5A
Watertightness closed position	200

Standards: consult the table on page 52.

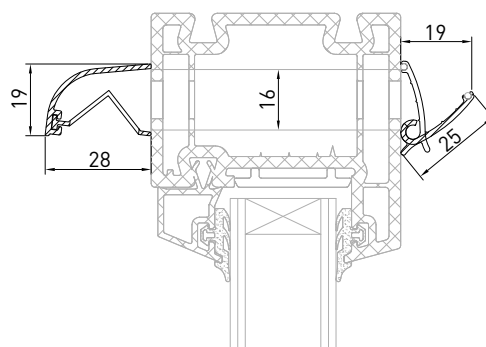


Application height depending on installation situation, see link.duco.eu/installation-height for more info.

→ DucoStrip external cover & **Slimline** inner grid



→ DucoStrip external cover & **Wideline** inner grid



Type	Vent length in mm	Slot height in mm
Slimline	290	12
Wideline	460	16

→ Ventilation and sound reduction performance

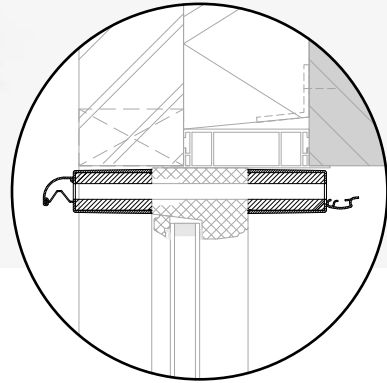
Type DucoStrip	Airflow (Q) in l/s at...			Airflow (Q) in m³/h at...			Equivalent area at 1 Pa in mm²	Geometrical Free Area in mm²	Sound absorption D _{n,e} , W (C _v , C _u) [*] in dB	
	1 Pa	2 Pa	10 Pa	1 Pa	2 Pa	10 Pa			OPEN position	CLOSED position
Slimline	2,0	2,9	6,6	7,3	10,4	23,8	2605	3000	32 (-1;0)	36 (-1;-1)
Wideline	4,1	5,8	12,6	14,8	20,9	45,4	5283	6500	28 (0;1)	35 (-1;-2)

* According to EN ISO 717



SkyMax SR





Fitting **through the frame**

DucoStrip Acoustic

Sound absorbing aluminium slot ventilator

DucoStrip is a sound absorbing aluminium “through-the-frame” slot ventilator. The sound absorbing module can be fitted either on the inside or the outside, or on both sides for even better sound absorption.

NOTE: **DucoStrip Acoustic** is only suitable for windows in low-rise buildings (up to second floor).

- Acoustic damping **inside, outside or on both sides**
- Incoming airflow deflected **upwards**
- **Simple fitting** with two screws per module
- Installation screws concealed by **smooth end caps**



Double Acoustic



Acoustic **Inside**



Acoustic **Outside**

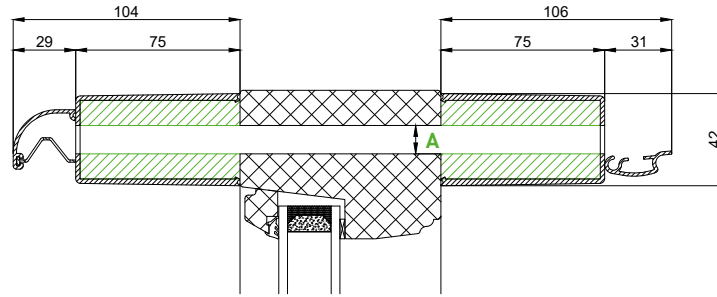
Wind protection class closed position	Class 2
Wind tightness closed position	300
Water resistance class closed position	9A
Watertightness closed position	600

Standards: consult the table on page 52.

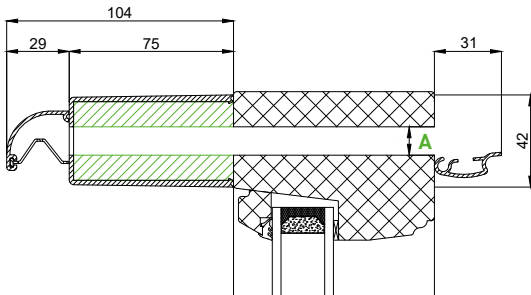


Application height depending on installation situation, see link.duco.eu/installation-height for more info.

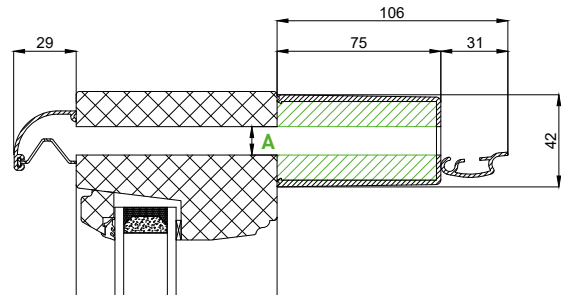
→ DucoStrip Acoustic **Double Acoustic**



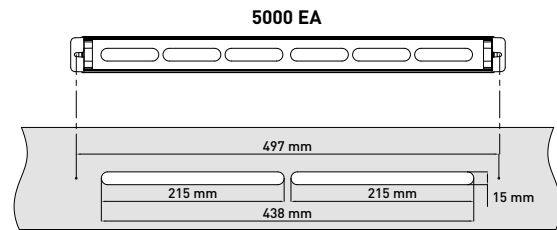
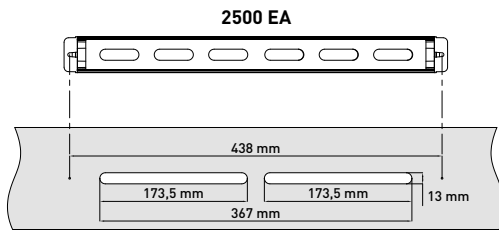
→ DucoStrip Acoustic **Acoustic Outside**



→ DucoStrip Acoustic **Acoustic Inside**



Type	Vent length in mm	Slot length in mm	Slot height (A) in mm
DucoStrip Acoustic 2500 EA	460	2 x 173,5	13
DucoStrip Acoustic 5000 EA	520	2 x 215	15



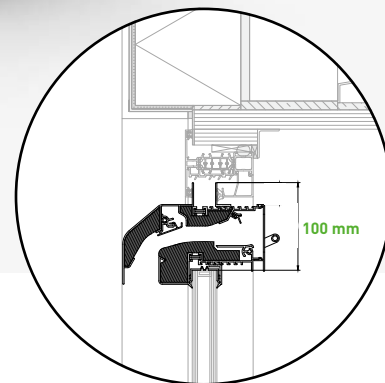
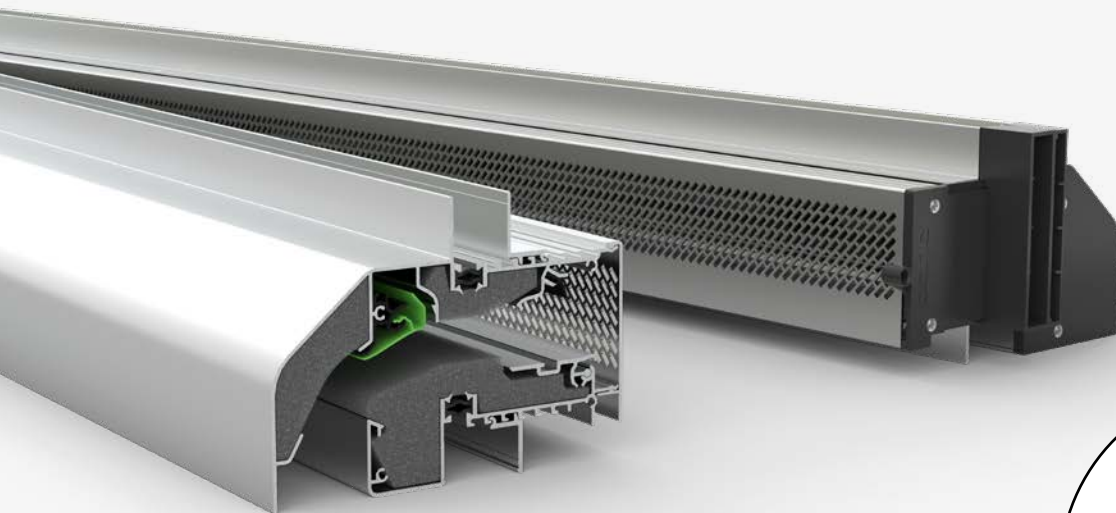
→ Ventilation and sound reduction performance

	Type DucoStrip	Airflow (Q) in l/s at...			Airflow (Q) in m ³ /h at...			Equivalent area at 1 Pa in mm ²	Geometrical Free Area in mm ²	Sound absorption D _{n,e} W (C;C _{tr}) [*] in dB	
		1 Pa	2 Pa	10 Pa	1 Pa	2 Pa	10 Pa			OPEN position	CLOSED position
2500 EA	Double Acoustic	2,5	3,5	8,0	9,0	12,6	28,8	3040	4511	42 [-2;-3]	56 [-3;-5]
	Acoustic Inside	2,8	3,9	9,0	10,1	14,0	32,4	3346	4511	37 [0;0]	57 [-1;-5]
	Acoustic Outside	2,7	3,8	8,8	9,7	13,7	31,7	3543	4511	37 [0;0]	54 [-1;-4]
5000 EA	Double Acoustic	3,9	5,6	12,7	14,0	20,2	45,7	5046	6450	37 [-1;-2]	53 [-1;-4]
	Acoustic Inside	4,2	5,9	13,2	15,1	21,2	47,5	5263	6450	34 [0;-1]	51 [-1;-3]
	Acoustic Outside	4,2	6,1	13,8	15,1	22,0	49,7	5394	6450	34 [0;0]	51 [-1;-3]

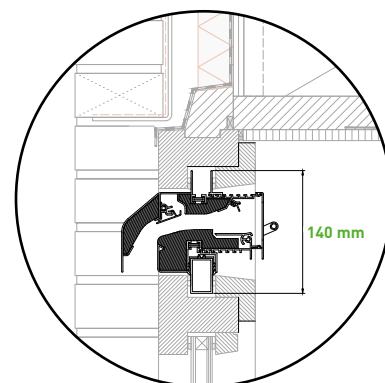
* According to EN ISO 717



→ Ordering info: see page 38
→ Full specifications: see page 54



Fitting over glass



Transom mounting

GlasVent 100 SR AK

Acoustic ventilator

This new window ventilator with acoustic damping can be used for all glass thicknesses from 10 to 56 mm! Mounting is possible above the glass (subtraction 100 mm) or as transom mounting. The **GlasVent 100 SR AK** is ideal in combination with vacuum glass (for glass thicknesses of 8 to 12 mm). The aluminium ventilation flap ensures excellent water and wind tightness. This aesthetic acoustic vent can therefore be used in high-rise buildings without any problems.

- Applicable to all glass thicknesses from 10 to 56 mm
- Ideal in combination with **vacuum glass**
- Leader for **renovation projects**

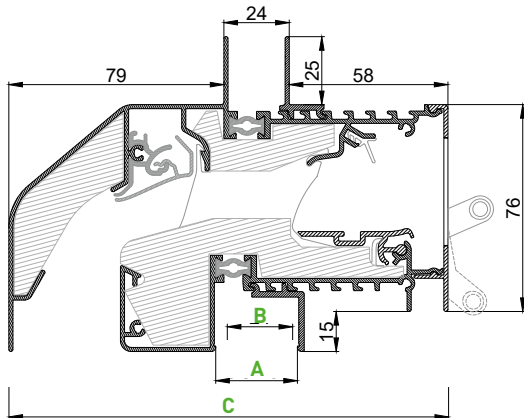
U-value	2,09
Wind protection class closed position	Class 3
Wind tightness closed position	600 Pa
Water resistance class closed position	E600
Watertightness closed position	600 Pa
Subtraction of glass height	100 mm

Standards: consult the table on page 52.



Application height depending on installation situation, see link.duco.eu/installation-height for more info.

→ GlasVent 100 SR AK fitting over glass

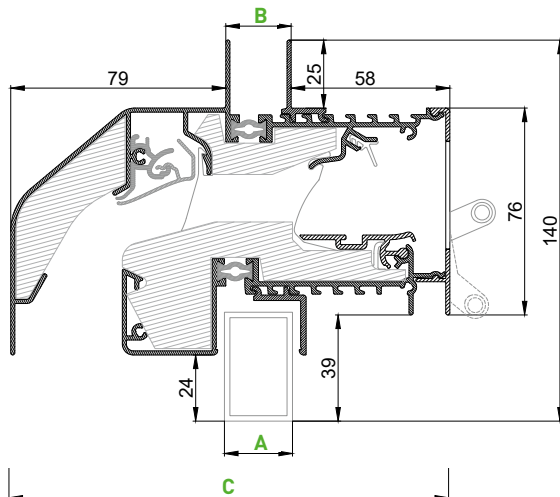


VERSIONS WITH GLAZING CHANNEL

	Dimensions (mm)											
Glazing channel (A)	16	18	26	30	34	38	42	46	50	54	58	62
Glass thickness* (B)	10	12	20	24	28	32	36	40	44	48	52	56
Vent depth (C)	162											

* The specified glass thickness is applicable to [DUCO] glazing seats. For sealants, min. 4 to max. 8 mm should be provided between glass thickness and glazing channel.

→ GlasVent 100 SR AK transom mounting



VERSIONS WITH TRANSOM PROFILE

	Dimensions (mm)		
Transom profile (A)	40 x 20	40 x 25	40 x 35
Top section (B)	20	24	36
Vent depth (C)	162		

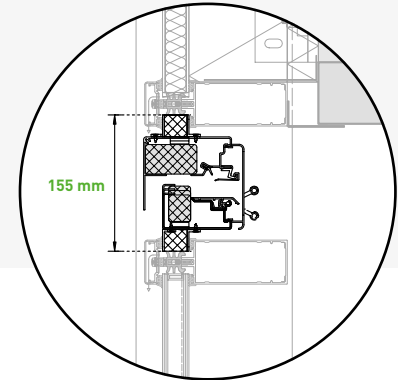
→ Ventilation and sound reduction performance

Type	Airflow (Q) in U/s/m at...				Airflow (Q) in m³/h/m at...				Equivalent area at 1 Pa in mm²/m	Geometrical Free Area in mm²/m	Sound absorption D _{n,e} , W (C; C _u)* in dB	
	1 Pa	2 Pa	10 Pa	20 Pa	1 Pa	2 Pa	10 Pa	20 Pa			OPEN position	CLOSED position
GlasVent 100 SR AK	15,6	21,5	29,1	25,5	56,2	77,4	104,8	91,8	19841,6	17000	33 (-1;-2)	51 (-1;-4)

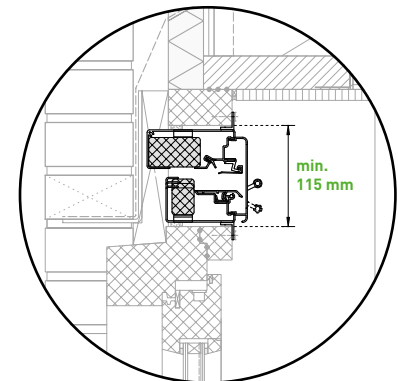
* According to EN ISO 717



→ Dimensions & order information: see page 38 → Controls & ancillaries: see page 48
 → Full specifications: see page 54



Transom mounting



'Invisible' mounting on the transom

MiniMax SR

'Invisible' fitting

MiniMax SR is a self-regulating, sound absorbing window ventilator developed for transom mounting and 'invisible' mounting on the transom. The **MiniMax SR** is optionally fitted with an extended outer cover in case of transom mounting, the ideal solution for use in a curtain wall. The sound absorbing vent is eminently suitable for use in situations where light noise exposure is an issue. **MiniMax SR** can very well be combined with **DucoMax SR** & **SkyMax SR** sound absorbing vents.

MiniMax SR, **DucoMax SR** and **SkyMax SR** have the same inside view. The window ventilator & installation height and the way of mounting in case of 'invisible' mounting on the transom are also identical.

- 'Invisible' mounting on the transom
- Ideal in **combination with DucoMax SR & SkyMax SR** sound absorbing vents
- Suitable for **high-rise** applications (up to 40m height)
- Available with three **different air passages**

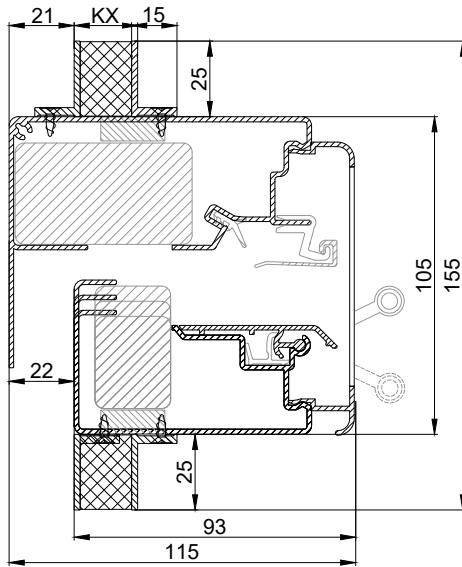
U-value	2,00
Wind protection class closed position	Class 3
Wind tightness closed position	600
Water resistance class closed position	E1050
Watertightness closed position	1050
Subtraction of glass height	n/a

Standards: consult the table on page 52.

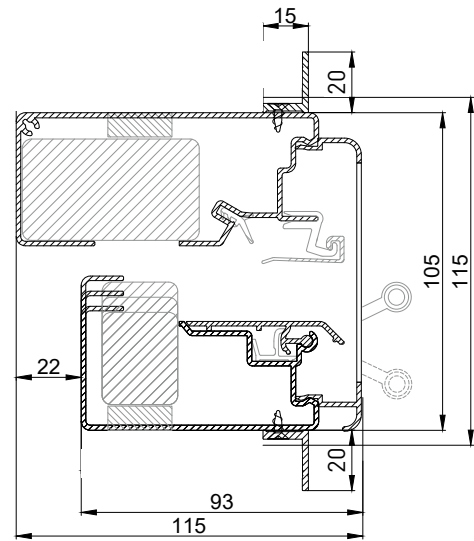


Application height depending on installation situation, see link.duco.eu/installation-height for more info.

→ MiniMax SR
transom mounting



→ MiniMax SR
'invisible' mounting on the transom



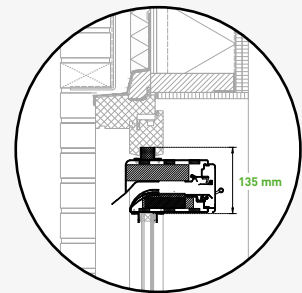
→ Ventilation and sound reduction performance

Type MiniMax SR Air slot	Airflow (Q) in l/s/m at...				Airflow (Q) in m³/h/m at...				Equivalent area at 1 Pa in mm²/m	Geometrical Free Area in mm²/m	Sound absorption $D_{n,e}, W(C;C_{tr})'$ in dB	
	1 Pa	2 Pa	10 Pa	20 Pa	1 Pa	2 Pa	10 Pa	20 Pa			OPEN position	CLOSED position
10 mm	14,7	19,2	20,7	15,7	14,7	69,3	74,6	56,5	18705,8	0,0100	35 (-1;-4)	-
15 mm	19,6	27,1	20,6	17,4	19,6	97,6	74,1	62,5	24941,0	0,0150	34 (-1;-4)	-
20 mm	23,7	39,9	32,4	28,8	23,7	143,8	116,6	103,5	30158,3	0,0200	33 (-1;-3)	47 (-1;-3)

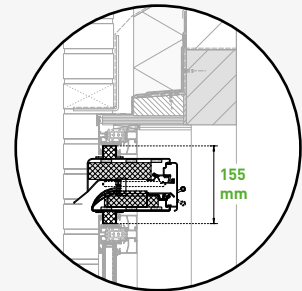
* According to EN ISO 717



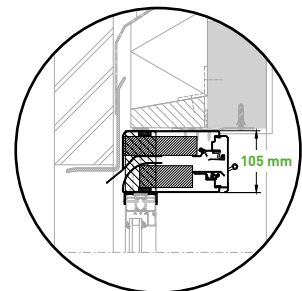
→ Dimensions & order information: see page 38 → Controls & ancillaries: see page 48
→ Full specifications: see page 54



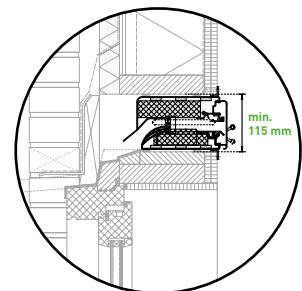
Fitting over glass



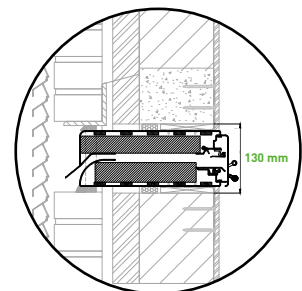
Transom mounting



Mounting on top of the window
ONLY FOR DUCOMAX 'SR'



'Invisible' mounting
on the transom



Fitting
through the wall

DucoMax SR SkyMax SR

Superior sound absorption
and/or high-rise applications

DucoMax SR is a self regulating, acoustic vent (sound absorbing ventilator), specifically engineered for situations exposed to high levels of noise disturbance. The various types are beautifully designed and have excellent acoustic performance. The **SkyMax SR** is an upgraded version of the DucoMax SR making it applicable to heights up to 70 meter.

Specific fitting instructions apply to SkyMax SR series vents.
These instructions are available at DUCO or at your local dealer.

- Suitable for **high-rise applications**
- **Four fitting depths:** Corto, Medio, Alto, Largo
- Suitable for situations giving rise to **high levels of noise disturbance**
- **No whistling sounds** with positive or negative pressure thanks to active closing aluminium flap
- **Excellent wind and water resistance**

U-value	2,58
Wind protection class closed position	Class 2
Wind tightness closed position	600
Water resistance class closed position	E1050
Watertightness closed position	1050
Subtraction of glass height	135 mm

Standards: consult the table on page 52.

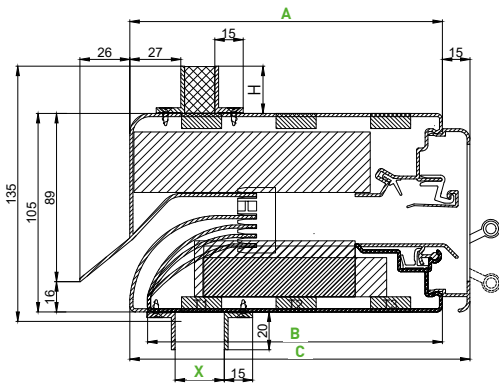


up to
40 m
DUCOMAX SR

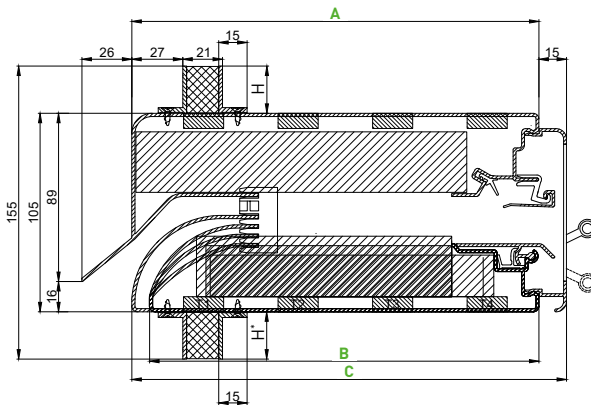
up to
70 m
SKYMAX SR

Application height depending on installation situation,
see link.duco.eu/installation-height for more info.

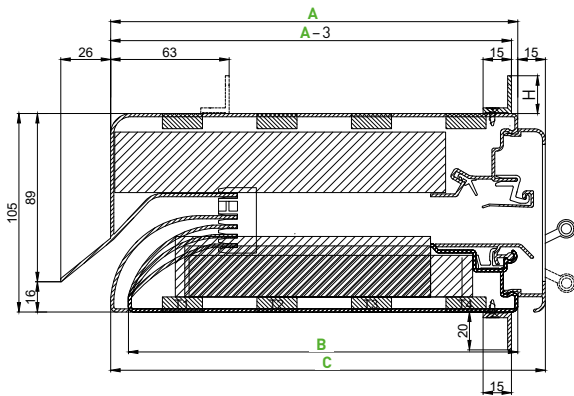
→ DucoMax SR / SkyMax SR
fitting over glass



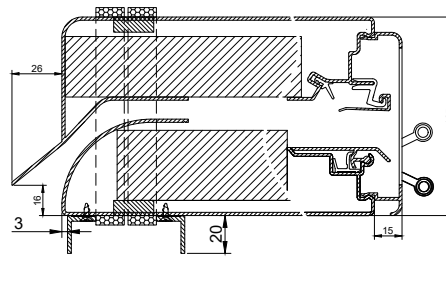
→ DucoMax SR / SkyMax SR
transom mounting



→ DucoMax SR / SkyMax SR
'invisible' mounting on the window frame / mounting through the wall



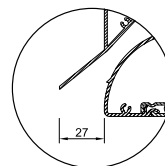
→ DucoMax SR / SkyMax SR
mounting on the window



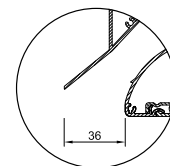
See from page <?> for additional versions and sizes

FITTING DEPTHS

Version	Dimension A (see drawing)	Dimension B (see drawing)	Dimension C (see drawing)
Corto	165	156	180
Medio	215	206	230
Alto	265	256	280
Largo	315	306	330



→ suits
air slot **10**



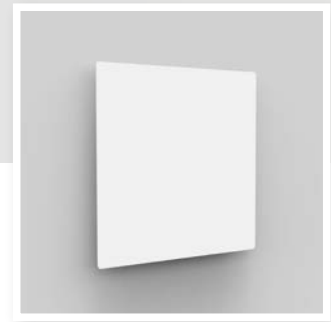
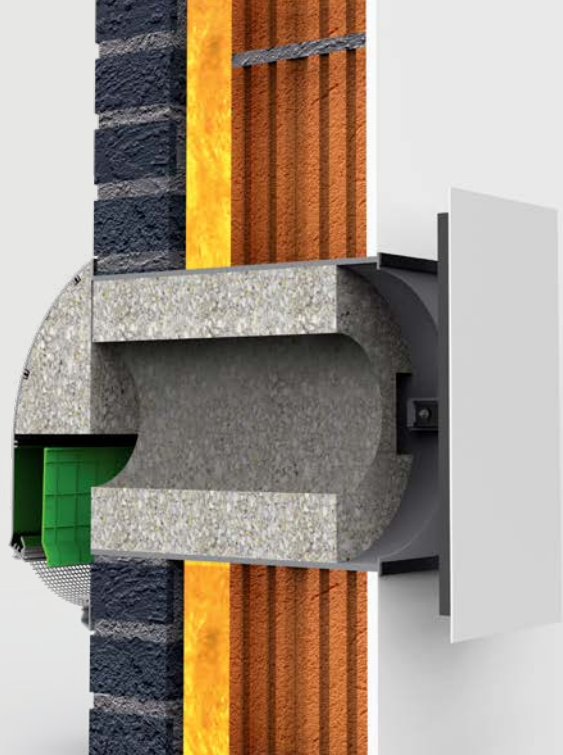
→ suits
air slot **15/20/25**

→ **Ventilation and sound reduction performance**

See table on page 54.



→ Dimensions & order information: see page 38 → Controls & ancillaries: see page 48
→ Full specifications: see page 54



Silenzio SR (AK) Silenzio **Retro** SR

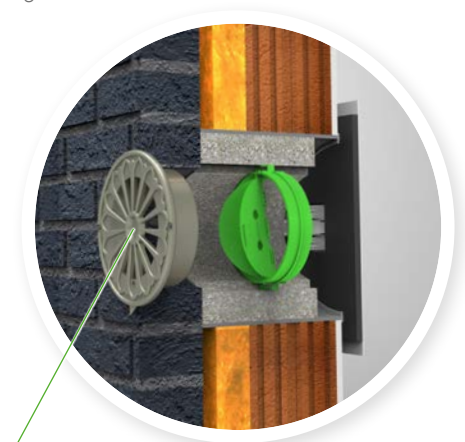
Design wall damper

Silenzio SR (AK) is a wall damper that is eminently suitable for use in refurbishment. Not only has its appearance been given a complete makeover, but from now on the Silenzio also features an SR flap so it can easily be used in one of our ventilation systems. This sound absorbing ventilator has been developed specifically for situations where high noise levels are an issue.

Silenzio **Retro** SR

The Silenzio Retro SR has been developed specifically for listed buildings with a protected façade. This ventilator can be built into the façade invisibly or be fitted with a discreet rosette grille.

- **SR-flap** for use within DUCO's ventilation systems
- 'AK' **acoustic damping** until 48 dB
- Simple solution for **renovation projects**
- **Aesthetic** adjustable inner grid



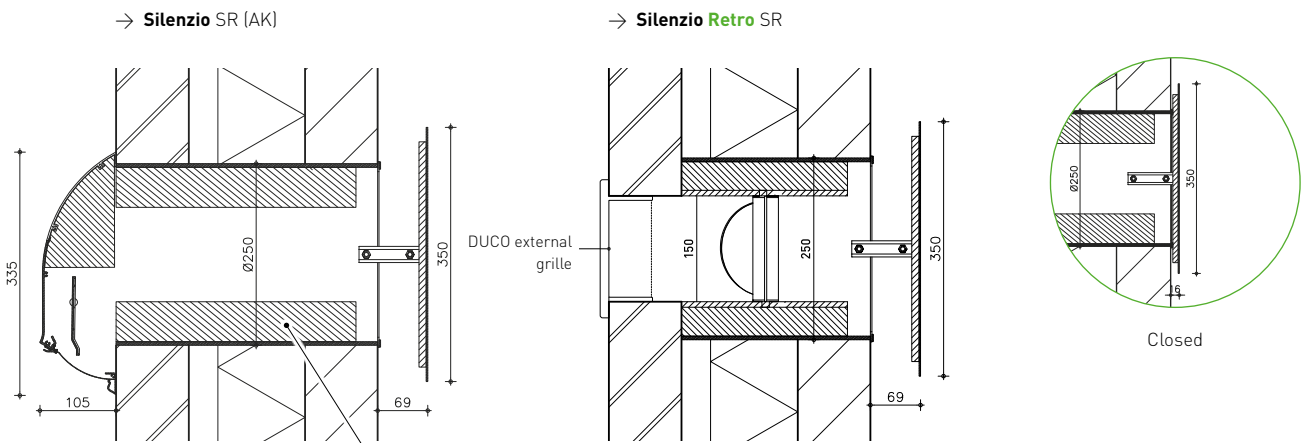
DUCO external grille,
optionally any external
grille or a weep hole

U-value	4,76
Wind protection class closed position	Class 2
Wind tightness closed position	300
Water resistance class closed position	9A
Watertightness closed position	600

Standards: consult the table on page 52.

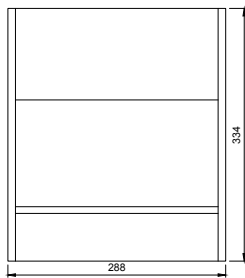


Application height depending on installation situation,
see link.duco.eu/installation-height for more info.

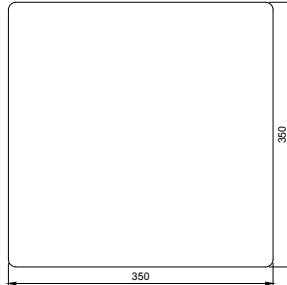


The Silenzio SR **AK** is equipped with extra sound absorbing material.

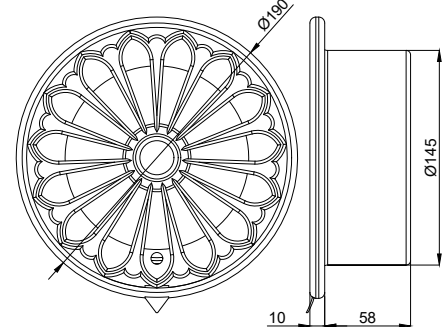
→ External cover Silenzio SR (AK)



→ Inside cover



→ DUCO external grille Silenzio Retro SR



→ General specifications

Feature	Silenzio SR (AK)	Silenzio Retro SR
Outer part	external cover included	optionally with DUCO external grille (RAL 7048 mother of pearl mouse grey)
Tube length	standard 300 mm longer version available as an option	

→ Ventilation and sound reduction performance

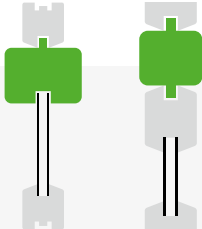
Type	Airflow (Q) in l/s at...			Airflow (Q) in m³/h at...			Equivalent area at 1 Pa in mm²	Geometrical Free Area in mm²	Sound absorption $D_{n,e}, W (C; C_{tr})^*$ in dB	
	1 Pa	2 Pa	10 Pa	1 Pa	2 Pa	10 Pa			OPEN position	CLOSED position
Silenzio SR	16,6	16,5	16,4	59,8	59,4	59,1	21060	17600	39 [-1;-4]	50 [-2;-5]
Silenzio SR AK	9,0	10,1	10,3	32,4	36,4	37,1	11478	17600	48 [-1;-4]	61 [-1;-6]
Silenzio Retro SR** without DUCO external grille	10,7	15,2	10,1	38,5	54,7	36,4	13616	17600	43 [-1;-3]	64 [-3;-10]
Silenzio Retro SR with DUCO external grille	9,0	12,9	10,1	32,4	46,5	36,4	11453	11500	43 [-1;-3]	64 [-3;-10]

* According to EN ISO 717
** Measured without outside cover. Effective values depend on the outside part.



→ Dimensions & order information: see page 38 → Controls & ancillaries: see page 48
→ Full specifications: see page 54

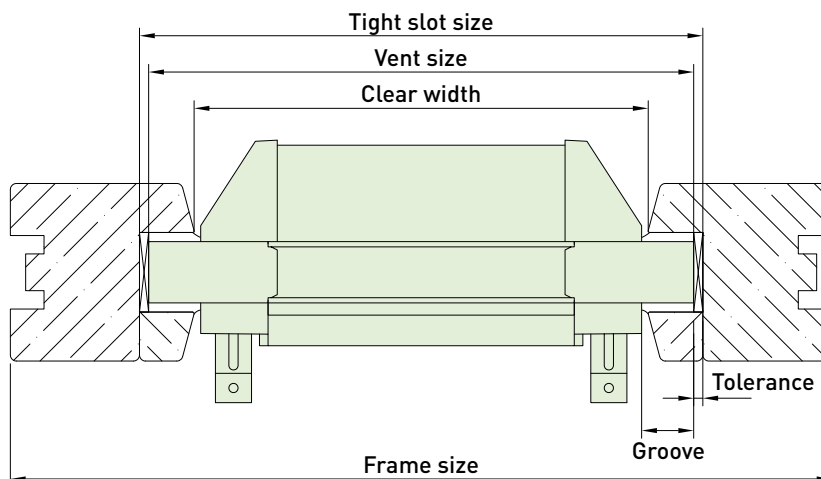
DIMENSIONS AND ORDERING INFORMATION



Fitting over the **glass** & **transom** mounting

Calculating ventilator length

		Vent size = ORDER SIZE	Tolerance (mm)	Rebate (mm)
DucoPlus 45		tight slot size - 6 mm OR daylight opening + 30 mm	3	18
DucoPlus 60 DucoTon 80 SR DucoKlep 80 SR DucoFlat 80 SR		tight rebate size - 6 mm OR daylight opening + 28 mm	3	17
DucoLine 80 SR	STANDARD: with rebate extension 17 mm	tight rebate size - 6 mm OR daylight opening + 28 mm	3	17
	OPTION: with rebate extension 25 mm	tight rebate size - 6 mm OR daylight opening + 44 mm		25
DucoMax SR SkyMax SR	STANDARD: with rebate piece 25 mm	tight rebate size - 6 mm OR daylight opening + 44 mm	3	25
	OPTION: with rebate piece 17 mm	tight rebate size - 6 mm OR daylight opening + 28 mm		17
	OPTION: rebate free to determine	tight rebate size - 6 mm		free to decide
GlasVent 100 SR AK		tight rebate size - 6 mm OR daylight opening + 44 mm	3	25



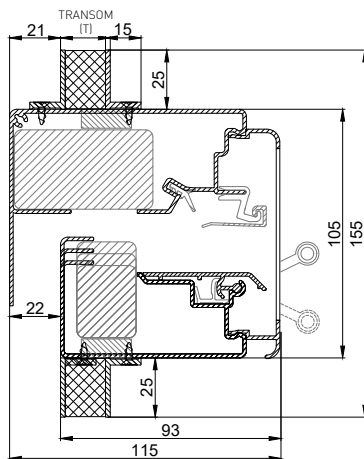
GLAZING GASKETS

Silicon-free glazing gasket	Glazing channel (mm)																
	12	16	18	21	26	30	34	38	42	46	48	50	52	54	58	62	64
12	✓																
21				✓													
22 - 30					✓	✓											
32 - 40							✓	✓									
42 - 50									✓	✓	✓	✓					
52 - 62													✓	✓	✓	✓	

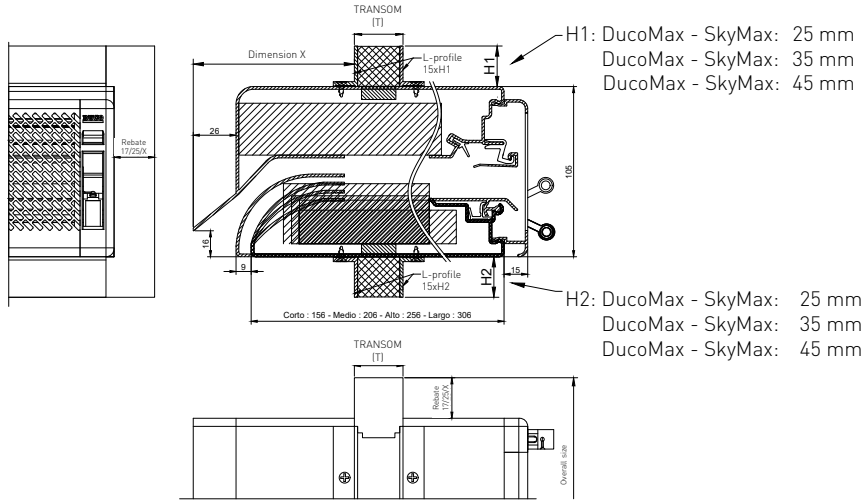
TRANSOM MOUNTING: transom profiles and dimensions

Product	Transom profile (mm)			With transom section ... x ... (mm)			Vent height (mm)	Maximum vent length under warranty (mm)
	20	21	24	40 x 20	40 x 25	40 x 35		
DucoTon 80 SR		✓					104	2500
DucoKlep 80 SR	✓		✓				105	2500
DucoLine 80 SR				✓	✓	✓	120	2500
DucoFlat 80 SR			✓				105	2500
GlasVent 100 SR AK				✓	✓	✓	140	2500
MiniMax SR	TX = Transom profile freely definable						155	4000
DucoMax SR	TX = Transom profile can be freely determined						Depending on the L-profile used	4000

MINIMAX



DUCOMAX - SKYMAX



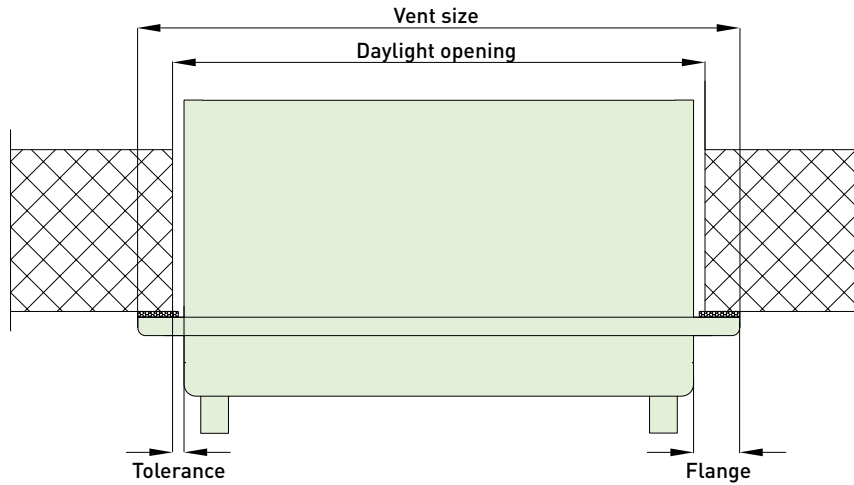
T1		T2		T3 Corto		T3 Medio-Alto-Largo		T4 Medio		T4 Alto-Largo		T5 Alto		T5 Largo		T6	
T	X (up)	T	X (up)	T	X (up)	T	X (up)	T	X (up)	T	X (up)	T	X (up)	T	X (up)	T	X (up)
18	55	18	105	18	155	18	155	18	205	18	205	18	255	18	255	18	305
20	52	20	102	20	152	20	152	20	202	20	202	20	252	20	252	20	302
21	52	21	102	21	152	21	152	21	202	21	202	21	252	21	252	21	302
22	52	22	102	22	152	22	152	22	202	22	202	22	252	22	252	22	302
24	52	24	102	24	150	24	152	24	200	24	202	24	250	24	252	24	300
26	52	26	105	26	147	26	155	26	197	26	205	26	247	26	255	26	297
28	52	28	97	28	146	28	147	28	196	28	197	28	246	28	247	28	296
30	56	30	106	30	143	30	156	30	193	30	206	30	243	30	256	30	293
32	55	32	105	32	141	32	155	32	191	32	205	32	241	32	255	32	291
34	55	34	102	34	139	34	152	34	189	34	202	34	239	34	252	34	289
36	52	36	102	36	137	36	152	36	187	36	202	36	237	36	252	36	287
38	52	38	102	38	135	38	152	38	185	38	202	38	235	38	252	38	285
40	52	40	102	40	133	40	152	40	183	40	202	40	233	40	252	40	283
42	52	42	102	42	131	42	152	42	181	42	202	42	231	42	252	42	281
44	52	44	92	44	129	44	142	44	179	44	192	44	229	44	242	44	279
46	52	46	91	46	127	46	141	46	177	46	191	46	227	46	241	46	277
48	52	48	90	48	125	48	140	48	175	48	190	48	225	48	240	48	275
50	52	50	89	50	123	50	139	50	173	50	189	50	223	50	239	50	273
52	52	52	88	52	121	52	138	52	171	52	188	52	221	52	238	52	271
54	52	54	87	54	119	54	137	54	169	54	187	54	219	54	237	54	269
56	52	56	86	56	117	56	136	56	167	56	186	56	217	56	236	56	267
58	52	58	86	58	115	58	136	58	165	58	186	58	215	58	236	58	265



'Invisible' mounting on the transom

Dimensions

	Vent size = ORDER SIZE	Toler- ance (mm)	Flange (mm)	Built-in height (mm)	Vent height (mm)	Maximum vent length under warranty (mm)
DucoMax SR	daylight opening + 30 mm	5	20	115	145	4000
SkyMax SR				115	145	2500
MiniMax SR				115	145	4000

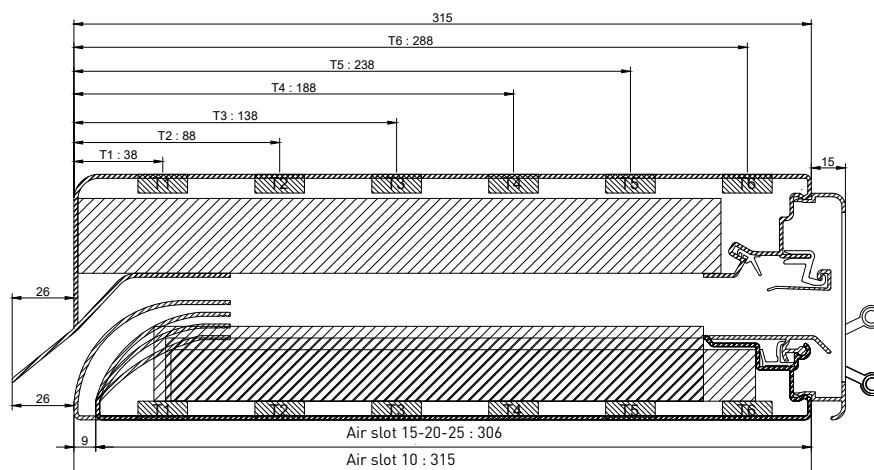


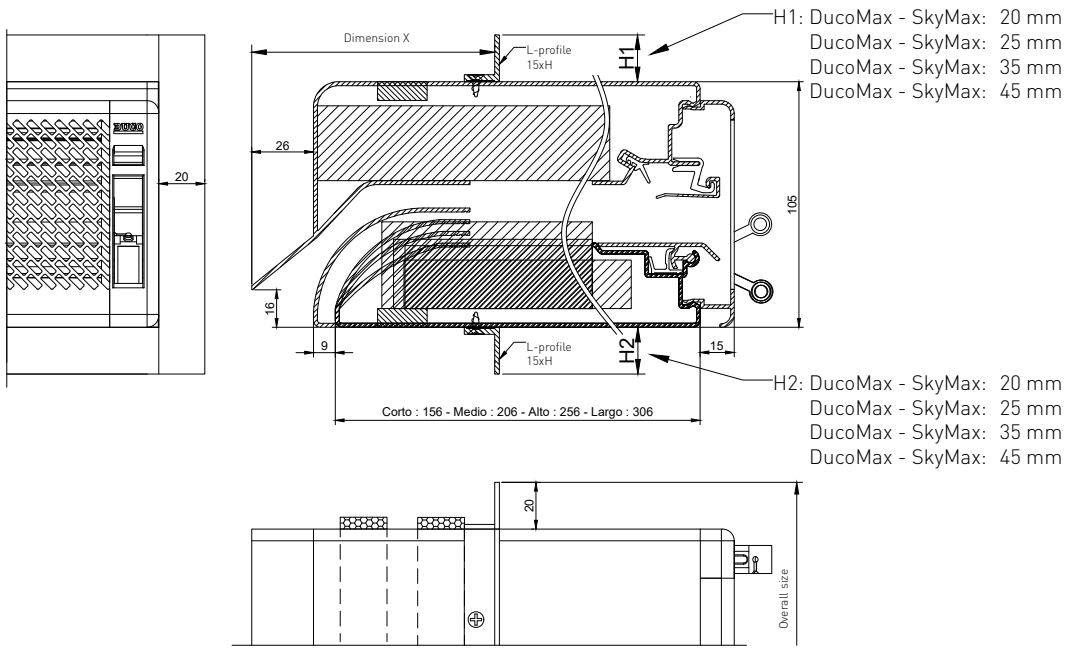
Determining dimension X

For 'invisible' mounting on the **DucoMax SR** or **SkyMax SR** transom, it is important to indicate the correct position of the L-profile. It is determined correctly by measuring the distance between the nose of the acoustic window ventilators and the beginning of the L section. This is known as dimension X and is expressed in mm. **DucoMax SR** or **SkyMax SR** are fitted with plastic side pieces as standard for 'invisible' mounting on the transom.

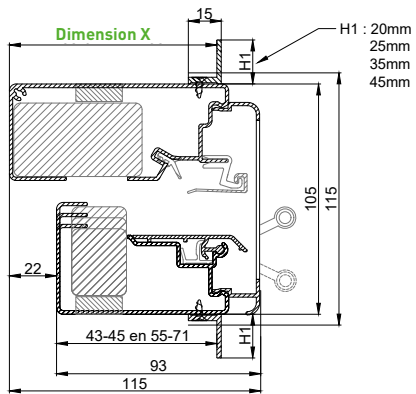
→ DucoMax SR / SkyMax SR

Thermal interruption	Corto (mm)	Medio (mm)	Alto (mm)	Largo (mm)
T1	89 - 92	89 - 92	89 - 92	89 - 92
	102 - 142	102 - 142	102 - 142	102 - 142
	152 - 171	152 - 192	152 - 192	152 - 192
		202 - 221	202 - 221	202 - 221
			241 - 242	241 - 242
			252 - 271	252 - 292
			302 - 321	
T2	139 - 142	139 - 142	139 - 142	139 - 142
	152 - 171	152 - 192	152 - 192	152 - 192
		202 - 221	202 - 242	202 - 242
			252 - 271	252 - 271
				291 - 292
			302 - 321	
T3	186	189 - 192	189 - 192	189 - 192
		202 - 221	202 - 242	202 - 242
			252 - 271	252 - 292
				302 - 321
T4		236	239 - 242	239 - 242
			252 - 271	252 - 292
				302 - 321
T5			289	289 - 292
				302 - 321
T6				336





→ **MiniMax SR**



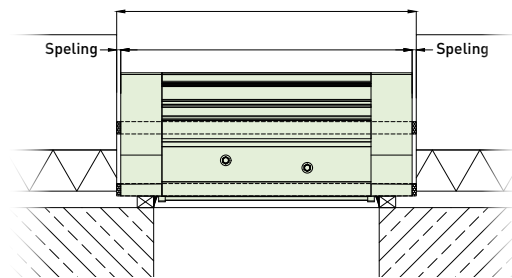
Dimension X (mm)
MiniMax SR
65 - 67
77 - 93



On **top** of the window frame

Dimensions

	Vent size = ORDER SIZE	Built-in height (mm)	Vent height (mm)	Toler- ance (mm)	Maximum vent length under warranty (mm)
TopVent SR (AK+)	window size	65	60	5	4000
SkyVent SR (AK+)	window size	70	65	5	4000
DucoMax SR SkyMax SR	window size	115	105	5	4000



ORDER INFO

Order forms are available on request. Please contact DUCO 'Ventilation & Sun Control' for further information. Tel.: 0032-58 33 00 33 - E-mail: info@duco.eu



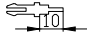
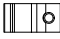




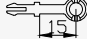
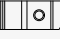




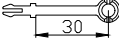
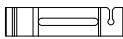




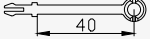





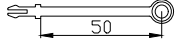





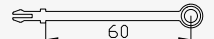





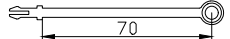












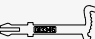


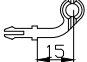



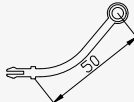
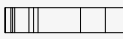




SkyMax SR


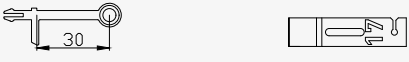

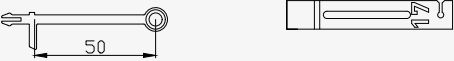

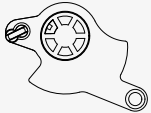
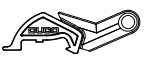
Jheronimus tower | Den Bosch (The Netherlands)

CONTROLS & ANCILLARIES

CONTROLS

→ Handles

Type	Description	Oder no.
 	Handle 10	WHITE  1377
		CREAM  1464
		GREY  1378
		BLACK  1379
 	Handle 15	WHITE  1200
		CREAM  1469
		GREY  1201
		BLACK  1202
 	Handle 30	WHITE  1203
		CREAM  1481
		GREY  1204
		BLACK  1205
 	Handle 40	WHITE  1206
		CREAM  1482
		GREY  1207
		BLACK  1208
 	Handle 50	WHITE  1209
		CREAM  1483
		GREY  1210
		BLACK  1211
 	Handle 60	WHITE  1212
		CREAM  1484
		GREY  1213
		BLACK  1214
 	Handle 70	WHITE  1215
		CREAM  1485
		GREY  1216
		BLACK  1217
 	Flap Handle 15	WHITE  1468
		BLACK  1436
 	Short Thumb Handle	BLACK  13001
 	Long Thumb Handle	BLACK  13011
 	Curved Handle 15	WHITE  1269
		BLACK  1268
 	Curved Handle 50	WHITE  1257
		CREAM  1495
		GREY  1258
		BLACK  1259


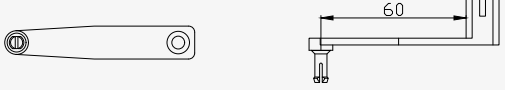
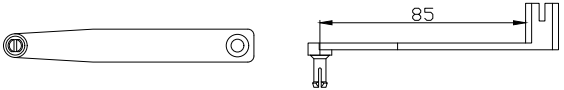
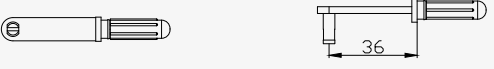
Type	Description	Oder no.
	Handle DucoLine 30 / 10	WHITE <input type="checkbox"/> 2403 CREAM <input type="checkbox"/> 2406 GREY <input type="checkbox"/> 2405 BLACK <input type="checkbox"/> 2404
	Handle DucoLine 30 / 17	WHITE <input type="checkbox"/> 2407 CREAM <input type="checkbox"/> 2410 GREY <input type="checkbox"/> 2409 BLACK <input type="checkbox"/> 2408
	Handle DucoLine 50 / 10	WHITE <input type="checkbox"/> 2602 CREAM <input type="checkbox"/> 2604 GREY <input type="checkbox"/> 2603 BLACK <input type="checkbox"/> 2601
	Handle DucoLine 50 / 17	WHITE <input type="checkbox"/> 2606 CREAM <input type="checkbox"/> 2608 GREY <input type="checkbox"/> 2607 BLACK <input type="checkbox"/> 2605
	Handle TopVent Corto Right	WHITE <input type="checkbox"/> 32200006 BLACK <input type="checkbox"/> 32200004
	Handle TopVent Corto Left	WHITE <input type="checkbox"/> 32200007 BLACK <input type="checkbox"/> 32200005
	Handle TopVent Medio / Alto / Largo Right	WHITE <input type="checkbox"/> 32200018 BLACK <input type="checkbox"/> 32200016
	Handle TopVent Medio / Alto / Largo Left	WHITE <input type="checkbox"/> 32200019 BLACK <input type="checkbox"/> 32200017
	Handle GlasVent Right	WHITE <input type="checkbox"/> 08170052 GREY <input type="checkbox"/> 08170054 BLACK <input type="checkbox"/> 08170050
	Handle GlasVent Left	WHITE <input type="checkbox"/> 08170053 GREY <input type="checkbox"/> 08170055 BLACK <input type="checkbox"/> 08170051

STANDARD HANDLES

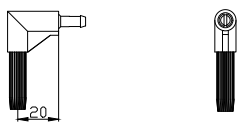
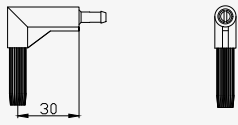
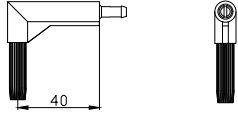
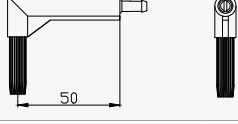
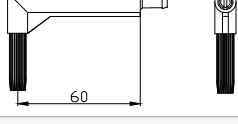
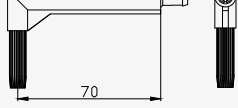
DucoFlat 80 SR	Handle 10
DucoTon 80 SR	Handle 15
DucoPlus 45	Handle 30
DucoPlus 60	
DucoKlep 80 SR	Handle 40
• glass thickness 20, 24, 28 and 32 mm	
• glass thickness 36 mm	
• glass thickness 40, 44 and 48 mm	Handle 60
	Handle 30
DucoLine 80 SR	Handle DucoLine 30 / 17
	Handle DucoLine 30 / 10

GlasVent 100 SR AK	Handle GlasVent
MiniMax SR	Flap Handle 15
DucoMax SR	
SkyMax SR	
Silenzio (Retro) SR (AK)	Manual
DucoStrip	
DucoStrip Acoustic	
TopVent SR (AK+)	Handle TopVent (type depending on cassette depth)
SkyVent SR (AK+)	

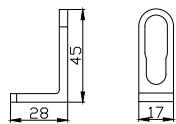
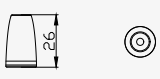

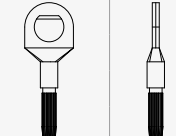
→ Handle extension & straight linkage rod

Type	Description	Oder no.
	Handle extension 35	WHITE <input type="checkbox"/> 1236 CREAM <input type="checkbox"/> 1496 GREY <input type="checkbox"/> 1237 BLACK <input type="checkbox"/> 1238
	Handle extension 60	WHITE <input type="checkbox"/> 1239 CREAM <input type="checkbox"/> 1497 GREY <input type="checkbox"/> 1240 BLACK <input type="checkbox"/> 1241
	Handle extension 85	BLACK <input type="checkbox"/> 171
	Straight linkage rod	WHITE <input type="checkbox"/> 1270 CREAM <input type="checkbox"/> 1493 GREY <input type="checkbox"/> 1271 BLACK <input type="checkbox"/> 1272

→ Angled linkage





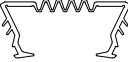
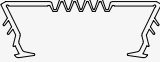
Type	Description	Oder no.
	Angled linkage 20	WHITE <input type="checkbox"/> 1218
		CREAM <input type="checkbox"/> 1486
		GREY <input type="checkbox"/> 1219
		BLACK <input type="checkbox"/> 1220
	Angled linkage 30	WHITE <input type="checkbox"/> 1221
		CREAM <input type="checkbox"/> 1487
		GREY <input type="checkbox"/> 1222
		BLACK <input type="checkbox"/> 1223
	Angled linkage 40	WHITE <input type="checkbox"/> 1224
		CREAM <input type="checkbox"/> 1488
		GREY <input type="checkbox"/> 1225
		BLACK <input type="checkbox"/> 1226
	Angled linkage 50	WHITE <input type="checkbox"/> 1227
		CREAM <input type="checkbox"/> 1489
		GREY <input type="checkbox"/> 1228
		BLACK <input type="checkbox"/> 1229
	Angled linkage 60	WHITE <input type="checkbox"/> 1230
		CREAM <input type="checkbox"/> 1490
		GREY <input type="checkbox"/> 1231
		BLACK <input type="checkbox"/> 1232
	Angled linkage 70	WHITE <input type="checkbox"/> 1233
		CREAM <input type="checkbox"/> 1491
		GREY <input type="checkbox"/> 1234
		BLACK <input type="checkbox"/> 1235

→ Miscellaneous

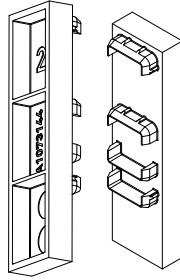
Type	Description	Oder no.
	Vertical rod guide	WHITE <input type="checkbox"/> 1242
		CREAM <input type="checkbox"/> 1492
		GREY <input type="checkbox"/> 1243
		BLACK <input type="checkbox"/> 1244
	Cord end cap	WHITE <input type="checkbox"/> 1275
	Rod end cap	BLACK <input type="checkbox"/> 1247
	Mobile rod end	WHITE <input type="checkbox"/> 1621
		CREAM <input type="checkbox"/> 1624
		GREY <input type="checkbox"/> 1622
		BLACK <input type="checkbox"/> 1620

ANCILLARIES

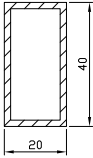
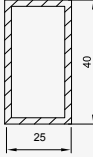
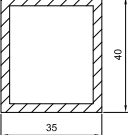
→ Glazing gasket

Type	Description	Oder no.
	Glazing gasket for glass thickness 6 mm	1330
	Glazing gasket for glass thickness 15 mm	1331
	Glazing gasket for glass thickness 22-30 mm	1915
	Glazing gasket for glass thickness 32-40 mm	1916
	Glazing gasket for glass thickness 42-50 mm	1917
	Glazing gasket for glass thickness 52-62 mm	1918

→ Rebate extension 17>25 mm

Type	Description	Oder no.
	Rebate extension piece for GG 26	2480
	Rebate extension piece for GG 30	2481
	Rebate extension piece for GG 34	2482
	Rebate extension piece for GG 38	2483
	Rebate extension piece for GG 42	2484
	Rebate extension piece for GG 48	2485
	Rebate extension piece for GG 52	2486

→ Transom profiles

Type	Description	Oder no.
	Transom profile 40 x 20 Black	23190
	Transom profile 40 x 25 Black	23189
	Transom profile 40 x 35 Black	23191

TECHNICAL SPECIFICATIONS

TopVent SR SkyVent SR STD see p. 8 / 10	TopVent SR SkyVent SR AK see p. 8 / 10	TopVent SR SkyVent SR AK+ see p. 8 / 10	TopVent SR SkyVent SR UK AK EA5000 see p. 8 / 10
---	--	---	--





→ Ventilation values

Feature	Regulation	Unit	TopVent SR SkyVent SR STD				TopVent SR SkyVent SR AK				TopVent SR SkyVent SR AK+		TopVent SR SkyVent SR UK AK EA5000			
			Corto	Medio	Alto	Largo	Corto	Medio	Alto	Largo	Alto	Largo	Corto	Medio	Alto	Largo
Flow rate (Q)	EN 13141-1	at 1 Pa	12,2				12,2				8,3		4,0			
		at 2 Pa	18,1				18,1				12,5		5,9			
		at 10 Pa	21,9				21,9				15,8		7,2			
	EN 13141-1	at 1 Pa	43,9				43,9				29,9		14,4			
		at 2 Pa	69,0				69,0				48,0		21,3			
		at 10 Pa	83,0				83,0				58,0		25,9			
Equivalent area at 1 Pa	EN 13141-1	mm ² /m	15517,2				15517,2				10556,8		5600			
Geometrical Free Area	EN 13141-1	mm ² /m	17000				17000				12000		17000			
U-value closed position	EN 10077-2	W/m ² K	4,14	4,12	3,60	3,42	4,14	4,12	3,60	3,42	3,60	3,42	4,14	4,12	3,60	3,42
Self-regulating	EN 13141-1		yes				yes				yes		yes			
Wind tightness class	EN 12207	Class	Class 4				Class 4				Class 4		Class 4			
Wind tightness closed position	EN 1026	Pa	600				600				600		600			
Water tightness class	EN 12208	Class	E1350				E1350				E1350		E1350			
Leakage rate 50 Pa closed position	EN 13141	m ³ /h*m	0,173				0,173				0,173		0,173			
Watertightness closed position	EN 1027	Pa	1350				1350				1350		1350			

→ Sound reduction

Feature	Regulation	Unit	TopVent SR SkyVent SR STD				TopVent SR SkyVent SR AK				TopVent SR SkyVent SR AK+		TopVent SR SkyVent SR UK AK EA5000			
			Corto	Medio	Alto	Largo	Corto	Medio	Alto	Largo	Alto	Largo	Corto	Medio	Alto	Largo
Dn _{e,W} open position	EN ISO 717	dB	31	31	31	31	33	34	36	37	38	40	38	40	41	43
C open position	EN ISO 717	dB	-1	-1	-1	-1	0	0	-1	0	-1	0	0	-1	-1	0
C _{tr} open position	EN ISO 717	dB	-2	-2	-2	-2	-1	-2	-2	-2	-3	-2	-1	-2	-2	-2
Dn _{e,W} closed position	EN ISO 717	dB	43	47	47	47	43	52	55	56	55	56	53	52	54	58
C closed position	EN ISO 717	dB	0	0	0	0	0	-1	0	-1	0	-1	0	-1	-1	-1
C _{tr} closed position	EN ISO 717	dB	-1	-2	-2	-2	-1	-3	-3	-4	-3	-4	-2	-3	-4	-4
Octave band values	at 125 Hz	dB	30,3	30,3	30,3	30,3	30,0	30,8	31,6	36,6	32,8	38,0	35,9	36,8	36,5	40,5
	at 250 Hz	dB	32,7	32,7	32,7	32,7	32,7	32,9	34,5	35,6	35,6	37,7	37,9	38	38,2	41,9
	at 500 Hz	dB	26,7	26,7	26,7	26,7	30,5	28,9	29,6	30,5	30,9	33,4	36	34,8	35,2	36,7
	at 1000 Hz	dB	28,0	28,0	28,0	28,0	31,1	33,0	34,9	36,3	36,7	39,3	36,7	37,7	39,4	41
	at 2000 Hz	dB	34,6	34,6	34,6	34,6	35,4	38,9	45,4	50,4	47,7	51,4	39,4	43,8	47,8	54,8

→ General specifications

Feature	Regulation	Unit	TopVent SR SkyVent SR STD				TopVent SR SkyVent SR AK				TopVent SR SkyVent SR AK+		TopVent SR SkyVent SR UK AK EA5000			
			Corto	Medio	Alto	Largo	Corto	Medio	Alto	Largo	Alto	Largo	Corto	Medio	Alto	Largo
Finish			DAR/Ral/Bi-Colour				DAR/Ral/Bi-Colour				DAR/Ral/Bi-Colour		DAR/Ral/Bi-Colour			
Standard control			handle				handle				handle		handle			
Split as from drum / flap length		mm	1310				1310				1310		1310			
End cap colours																

End cap colours



TopVent SR SkyVent SR UK AK EA7500 see p. 8 / 10				TopVent SR SkyVent SR UK AK EA10000 see p. 8 / 10				DucoPlus 45 see p. 12	DucoPlus 60 see p. 14	DucoTon 80 SR see p. 16	DucoKlep 80 SR see p. 18	DucoLine 80 SR see p. 20			DucoFlat 80 SR see p. 22	DucoStrip see p. 24	
Corto	Medio	Alto	Largo	Corto	Medio	Alto	Largo					10	17	23		Slimline	Wideline
5,9				7,9				7,1	11,2	10,2	15,2	10,7	17,4	22,6	11,5	2.03 /pc	4.1 /pc
8,7				11,7				10,03	15,8	12,3	15,5	16,4	23,0	29,6	13,8	2.9 /pc	5.8 /pc
10,6				14,2				22,50	34,9	15,7	15,6	14,4	21,0	27,4	19,0	6.6 /pc	12.6 /pc
21,2				28,4				25,56	40,3	36,7	54,7	38,5	62,6	81,4	41,4	7.3 /pc	14.8 /pc
31,4				42,1				36,1	56,7	44,3	55,9	59	82,8	106,7	49,7	10.4 /pc	20.9 /pc
38,2				51,2				81,00	125,6	56,6	56,3	52	75,5	98,5	68,3	23.8 /pc	45.4 /pc
8200				11000				9008	14224	12976	19342	13615,8	22141,5	28758,5	14685	2581 /pc	5263 /pc
17000				17000				10000	15000	14400	19200	10800	19300	29500	15000	3000 /pc	6500 /pc
4,14	4,12	3,60	3,42	4,14	4,12	3,60	3,42	1,84	4,02	2,26	2,40	2,81			3,00		
yes				yes				no	no	yes	yes	yes			yes		
Class 4				Class 4				Class 2	Class 3	Class 3	Class 2	Class 2			Class 3		
600				600				450	650	650	450	450			650		
E1350				E1350				E900	E650	8A	E650	E700			5A		
0,173				0,173				0,4	0,6	0,6	0,9	0,9			0,3		
1350				1350				900	650	450	650	700			200		
Corto	Medio	Alto	Largo	Corto	Medio	Alto	Largo					10	17	23			
36	38	40	41	35	36	38	39	25	25	27	25	29	28	26	27	32	28
0	-1	-1	-1	0	0	-1	0	0	0	-1	0	-1	-1	0	0	-1	0
-1	-2	-2	-2	-1	-2	-2	-2	0	0	-1	-1	-2	-2	0	-1	0	1
52	52	54	58	51	52	54	58	41	39	34	37	33	33	33	44	36	35
0	-1	-1	-1	0	-1	-1	-1	-1	-1	0	0	-1	-1	-1	0	-1	-1
-2	-3	-3	-4	-1	-3	-3	-4	-2	-1	-1	0	-2	-2	-2	0	-1	-2
34	34,5	35	38,6	32,6	33,2	33,5	37	25,5	27,8	25,9	24,2	26,4	24,7	23,9	27,2	32,0	31,3
36	36,2	37,8	39,8	34,8	35	36,1	38,6	29,1	27,1	28,4	25,6	28,4	27,4	26,9	27,3	41,1	36,5
33,7	32,5	33,7	34,1	32,2	31	31,8	32,2	28,3	26,2	26,9	24,9	29,5	28,5	28,1	24,3	37,0	32,7
34,5	36,1	38,4	39,2	33,5	34,8	36,9	37,7	25,7	27,0	25,6	23,3	24,7	24,7	24,5	25,6	32,7	27,7
38,7	42,5	47,8	53,7	37,1	41	46,8	52,7	23,1	26,7	27,6	25,7	29,4	28,3	26,3	27,3	29,7	27,0
Corto	Medio	Alto	Largo	Corto	Medio	Alto	Largo										
DAR/Ral/Bi-Colour				DAR/Ral/Bi-Colour				DAR/Ral	DAR/Ral	DAR/Ral/Bi-Colour	DAR/Ral/Bi-Colour	DAR/Ral/Bi-Colour			DAR/Ral/Bi-Colour	DAR/Ral/Bi-Colour	
handle				handle				handle 15	handle 15	handle 15	handle 40	handle 30/10	handle 30/17	handle 30	handle 10	manual	
1310				1310				1200	1500	1500	1500	1500			1500	n/a	

TECHNICAL SPECIFICATIONS





→ Ventilation values

Feature		Regulation	Unit	2500 EA			5000 EA			10	15	20	Corto 10	Corto 15	Corto 20	Corto 25	
				Double Acoustic	Acoustic Inside	Acoustic Outside	Double Acoustic	Acoustic Inside	Acoustic Outside								
Flow rate (Q)	at 1 Pa	EN 13141-1	l/s/m	2.5 /pc	2.8 /pc	2.7 /pc	3.9 /pc	4.2 /pc	4.2 /pc	15,6	14,7	19,2	20,7	13,0	20,7	26,9	32,0
	at 2 Pa			3.5 /pc	3.9 /pc	3.8 /pc	5.6 /pc	5.9 /pc	6.1 /pc	21,5	19,6	27,1	20,6	24,1	25,7	39,3	42,5
	at 10 Pa			8.0 /pc	9.0 /pc	8.8 /pc	12.7 /pc	13.2 /pc	13.8 /pc	29,1	23,7	39,9	32,4	20,2	22,4	35,3	30,4
	at 1 Pa	EN 13141-1	m³/h/m	9.0 /pc	10.1 /pc	9.7 /pc	14.0 /pc	15.1 /pc	15.1 /pc	56,2	14,7	19,6	23,7	46,8	74,5	96,8	115,2
at 2 Pa	12.6 /pc			14.0 /pc	13.7 /pc	20.2 /pc	21.2 /pc	22.0 /pc	77,4	69,3	97,6	143,8	86,7	92,5	141,5	152,9	
at 10 Pa	28.8 /pc			32.4 /pc	31.7 /pc	45.7 /pc	47.5 /pc	49.7 /pc	104,8	74,6	74,1	116,6	72,8	80,8	127,1	109,3	
Equivalent area at 1 Pa		EN 13141-1	mm²/m	3040 /pc			3346 /pc			19841,6	18706	24941	30158	16543	26341	34230	40720
Geometrical Free Area		EN 13141-1	mm²/m	4511 /pc			6450 /pc			17000	10000	15000	20000	10000	15000	20000	25000
U-value		EN 10077-2	W/m²K	-			-			2,09	2,00			2,58			
Self-regulating		EN 13141-1		no			no			yes	yes			yes			
Wind tightness class		EN 12207	Class	Class 2			Class 2			Class 3	Class 3			Class 2			
Wind tightness closed position		EN 1026	Pa	300			300			600	600			600			
Water tightness class		EN 12208	Class	9A			9A			E600	E1050			E1050			
Leakage rate 50 Pa closed position		EN 13141	m³/h*m	1,76			2,23			0,79	0,2			0,69			
Watertightness closed position		EN 1027	Pa	600			600			600	1050			1050			

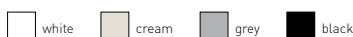
→ Sound reduction

Feature		Regulation	Unit	2500 EA			5000 EA			10	15	20	Corto 10	Corto 15	Corto 20	Corto 25	
				Double Acoustic	Acoustic Inside	Acoustic Outside	Double Acoustic	Acoustic Inside	Acoustic Outside								
Dn _{e,W} open position		EN ISO 717	dB	42	37	37	37	34	34	33	35	34	33	41	38	36	35
C open position		EN ISO 717	dB	-2	0	0	-1	0	0	-1	-1	-1	-1	-1	-1	-1	-1
C _r open position		EN ISO 717	dB	-3	0	0	-2	-1	0	-3	-4	-4	-3	-2	-3	-2	-2
Dn _{e,W} closed position		EN ISO 717	dB	56	57	54	53	51	51	51	-	-	-	57	55	54	53
C closed position		EN ISO 717	dB	-3	-1	-1	-1	-1	-1	-1	-	-	-1	-2	-2	-2	-1
C _r closed position		EN ISO 717	dB	-5	-5	-4	-4	-3	-3	-4	-	-	-3	-4	-4	-3	-2
Octave band values			dB														
at 125 Hz			dB	41,2	41,5	41,5	41,4	41,4	41,4	29,6	25,0	24,4	23,8	31,5	29,2	28,6	28,0
at 250 Hz			dB	38,9	39,9	39,9	37,6	38,4	38,2	29,8	23,8	23,5	22,9	31,6	28,9	27,9	27,3
at 500 Hz			dB	33,8	32,4	32,9	29,7	30,5	30,5	27	31,9	31,2	29,8	40,6	35,0	32,7	31,8
at 1000 Hz			dB	43,2	38,1	38,1	36,6	33,8	35,2	33,8	36,0	33,9	34,9	45,9	40,1	38,5	37,0
at 2000 Hz			dB	46,4	37,4	37,4	41,9	34,6	35,7	36,8	37,6	35,0	35,7	40,4	37,9	36,8	35,2

→ General specifications

Feature		Regulation	Unit	2500 EA			5000 EA			10	15	20	Corto 10	Corto 15	Corto 20	Corto 25
				Double Acoustic	Acoustic Inside	Acoustic Outside	Double Acoustic	Acoustic Inside	Acoustic Outside							
Finish				DAR/Ra/Bi-Colour						SAARa/Bi-Colour	DAR/Ra			DAR/Ra/Bi-Colour		
Standard control				manual						handle	flap handle 15			flap handle 15		
Split as from drum / flap length			mm	n/a						1250	2000			2000		
End cap colours																

End cap colours



DucoMax SR SkyMax SR see p. 34				DucoMax SR SkyMax SR see p. 34				DucoMax SR SkyMax SR see p. 34				Silenzio SR see p. 36		Silenzio Retro SR see p. 36	
Medio 10	Medio 15	Medio 20	Medio 25	Alto 10	Alto 15	Alto 20	Alto 25	Largo 10	Largo 15	Largo 20	Largo 25	standard	AK	without external grille	with DUCO external grille
11,2	17,7	25,6	30,8	11,9	17,5	26,3	29,7	11,9	17,9	26,9	28,9	16.6 /pc	9.0 /pc	10.7 /pc	9.0 /pc
24,1	25,7	39,3	42,5	24,1	25,7	39,3	42,5	24,1	25,7	39,3	42,5	16.5 /pc	10.1 /pc	15.2 /pc	12.9 /pc
20,2	22,4	35,3	30,4	20,2	22,4	35,3	30,4	20,2	22,4	35,3	30,4	16.4 /pc	10.3 /pc	10.1 /pc	10.1 /pc
40,3	63,7	92,2	110,9	42,8	63,0	94,7	106,9	42,8	64,4	96,8	104,0	59.8 /pc	32.4 /pc	38.5 /pc	32.4 /pc
86,7	92,5	141,5	152,9	86,7	92,5	141,5	152,9	86,7	92,5	141,5	152,9	59.4 /pc	36.4 /pc	54.7 /pc	46.5 /pc
72,8	80,8	127,1	109,3	72,8	80,8	127,1	109,3	72,8	80,8	127,1	109,3	59.1 /pc	37.1 /pc	36.4 /pc	36.4 /pc
14252	22523	32576	39193	15143	22269	33467	37793	15143	22778	34230	36775	21060 /pc	11478 /pc	13616 /pc	11453 /pc
10000	15000	20000	25000	10000	15000	20000	25000	10000	15000	20000	25000	17600 /pc	17600 /pc	17600 /pc	11500 /pc
2,58				2,58				2,58				4,76	4,76	4,76	4,76
yes				yes				yes				yes		yes	
Class 2				Class 2				Class 2				Class 2		Class 2	
600				600				600				300		300	
E1050				E1050				E1050				9A		9A	
0,69				0,69				0,69				0,61		0,61	
1050				1050				1050				600		Depends on outside section	600
Medio 10	Medio 15	Medio 20	Medio 25	Alto 10	Alto 15	Alto 20	Alto 25	Largo 10	Largo 15	Largo 20	Largo 25	standard	AK	without external grille	with DUCO external grille
44	40	39	37	46	42	40	38	49	43	41	38	39	48	43	43
-1	-1	-2	-1	-2	-1	-1	-1	-1	-1	-2	-1	-1	-1	-1	-1
-4	-4	-4	-4	-6	-5	-4	-4	-5	-4	-4	-3	-4	-4	-3	-3
58	57	55	55	60	58	57	56	62	60	57	55	50	61	64	64
-2	-2	-2	-1	-2	-2	-2	-2	-2	-1	-1	-1	-2	-1	-3	-3
-5	-5	-4	-4	-6	-5	-6	-5	-5	-5	-5	-4	-5	-6	-10	-10
32,5	30,7	29,1	28,6	32,4	30,7	30,2	29,7	34,8	32,2	30,9	30,8	27,8	35,5	37,4	37,4
31,2	28,4	26,8	26,2	30,7	28,6	27,2	26,2	36,2	31,5	28,6	28,1	27,5	36,3	33,7	33,7
42,8	37,2	35,6	33,7	44,8	39,1	36,7	35,1	45,5	39,0	36,3	34,0	31,9	42,7	40,8	40,8
48,5	42,6	40,8	38,6	52,3	45,9	43,5	41,0	54,4	45,6	44,0	39,6	46,2	65,4	42,3	42,3
45,9	43,3	41,6	39,8	50,2	47,1	44,5	42,1	56,1	48,6	45,0	41,9	56,8	70,7	44,7	44,7
Medio 10	Medio 15	Medio 20	Medio 25	Alto 10	Alto 15	Alto 20	Alto 25	Largo 10	Largo 15	Largo 20	Largo 25	standard	AK	without external grille	with DUCO external grille
DAR/Ral/Bi-Colour				DAR/Ral/Bi-Colour				DAR/Ral/Bi-Colour				DAR/Ral/Bi-Colour		DAR/Ral	Inner part: DAR/Ral External grille: RAL 7048
flap handle 15				flap handle 15				flap handle 15				manual		manual	
2000				2000				2000				n/a		n/a	
<input type="checkbox"/> <input checked="" type="checkbox"/>				<input type="checkbox"/> <input checked="" type="checkbox"/>				<input type="checkbox"/> <input checked="" type="checkbox"/>				<input type="checkbox"/> <input checked="" type="checkbox"/>		n/a	



A **SOLUTION**
FOR EVERY
PROJECT

DUCO