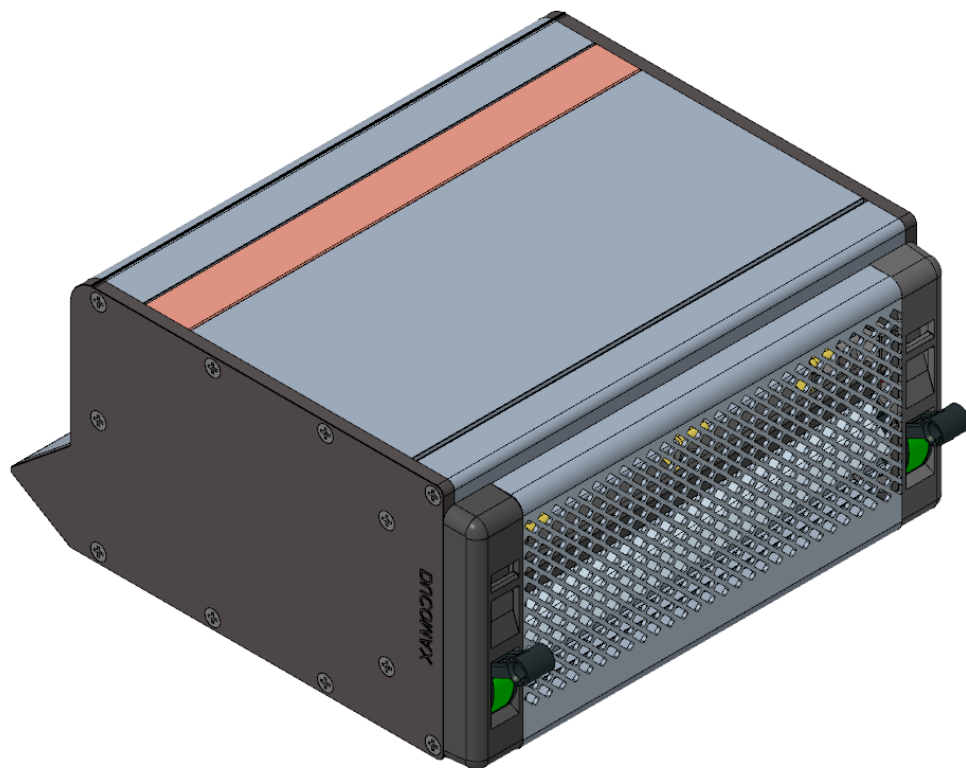


DucoMax 'ZR'

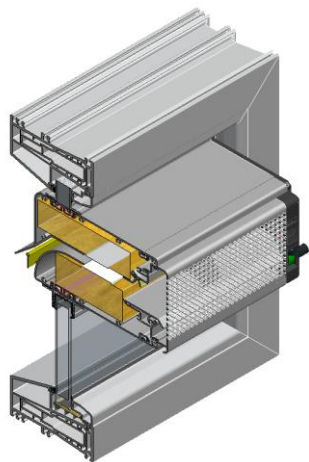
L0004090-M 25/05/2023



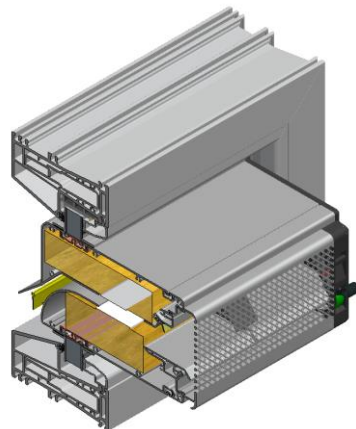
CONTENTS

1. Overview
2. Fitting over glass
3. Transom mounting
4. Compact transom mounting
5. Fitting on top of the window frame

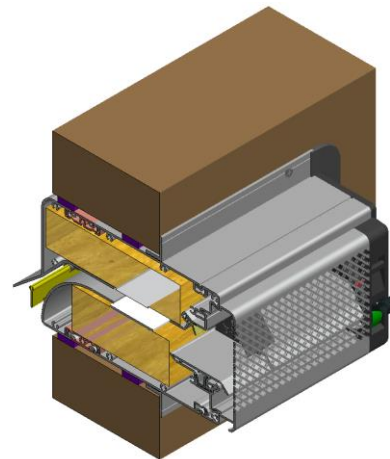
Fitting over
glass



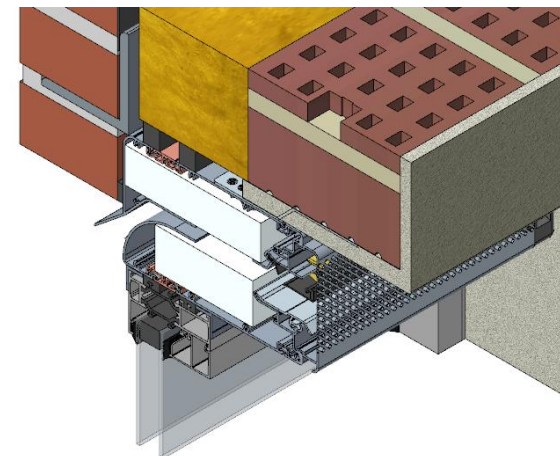
Transom
mounting



Compact transom
mounting



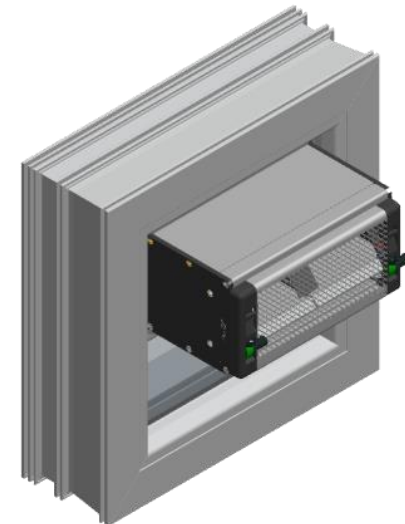
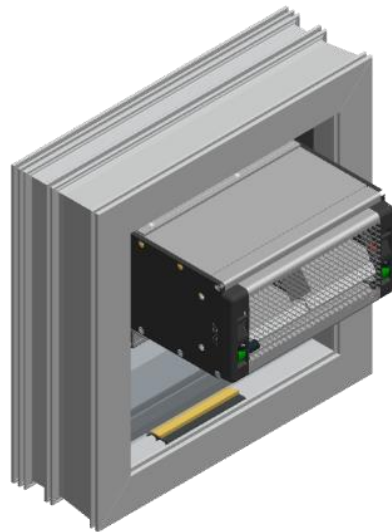
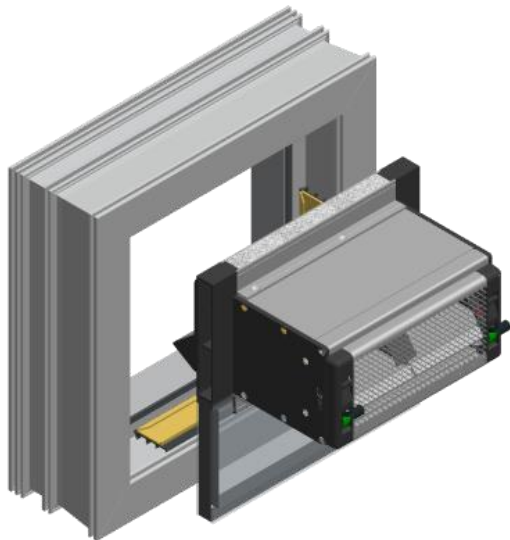
Fitting on top
of the window
frame



2

Fitting over glass

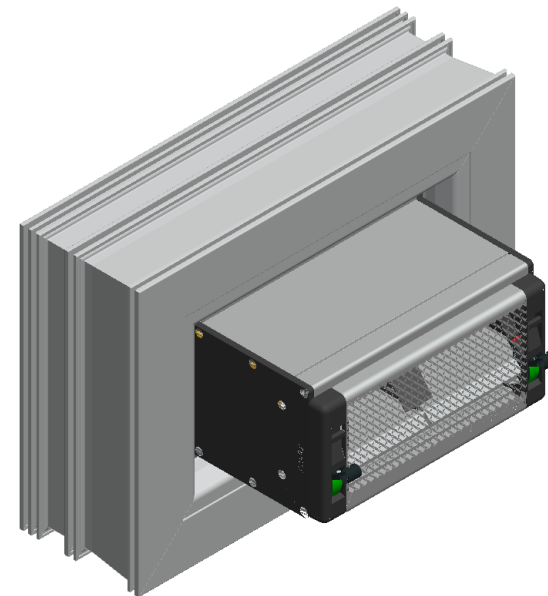
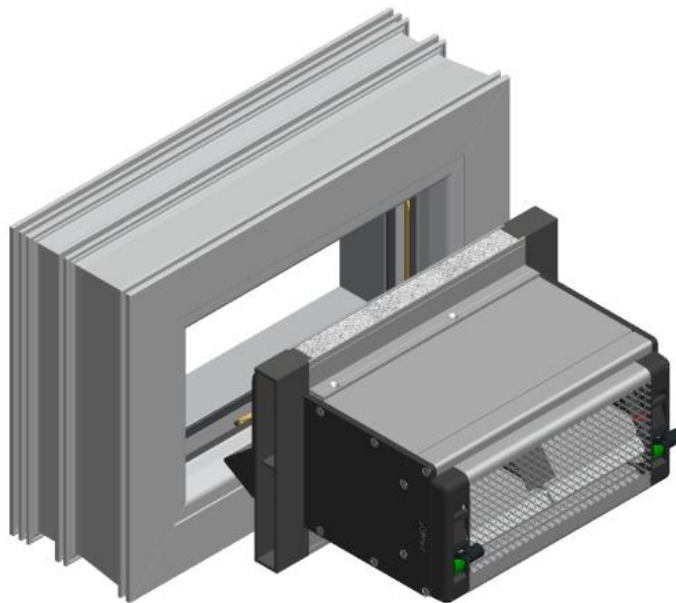
For detailed instructions: see fitting instructions Glass window ventilators : L0004126



3

Transom mounting

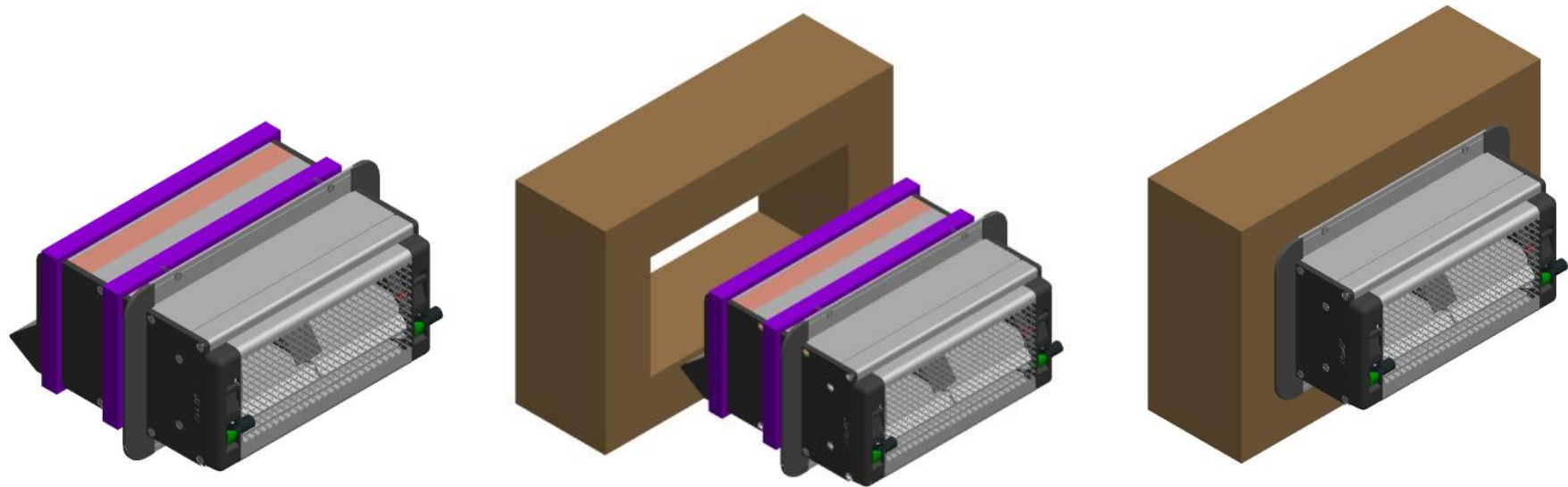
- 1) Place the window ventilator in the frame.
- 2) Attach the glazing bars.



4

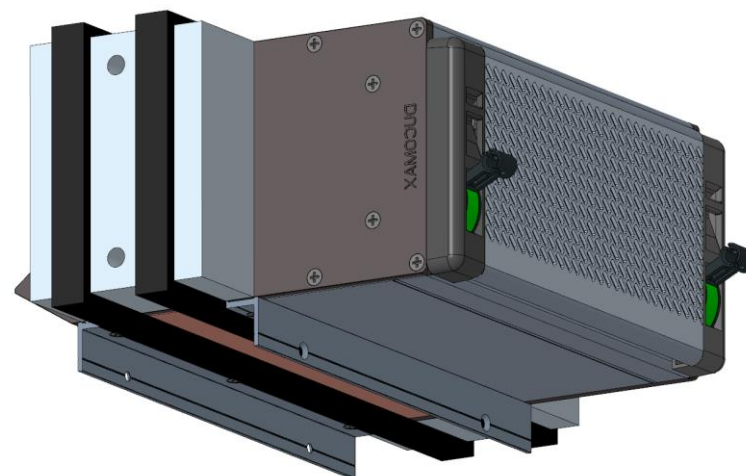
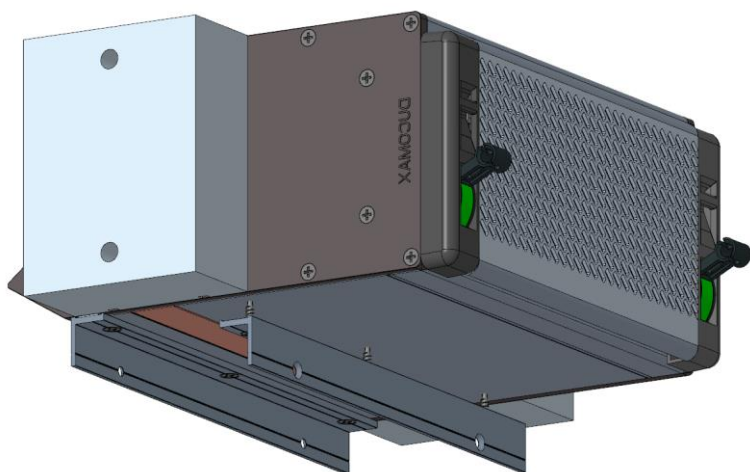
Compact transom mounting

- 1) Stick 2x swell tape around the window ventilator for a proper seal.
- 2) Place the window ventilator in the opening provided
- 3) Screw the window ventilator every 250mm into the holes provided.

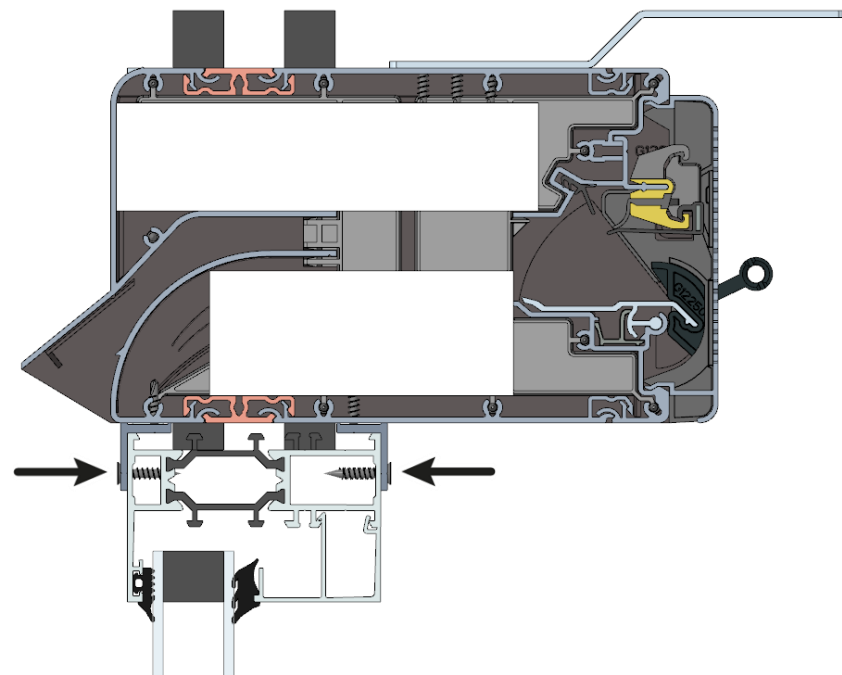
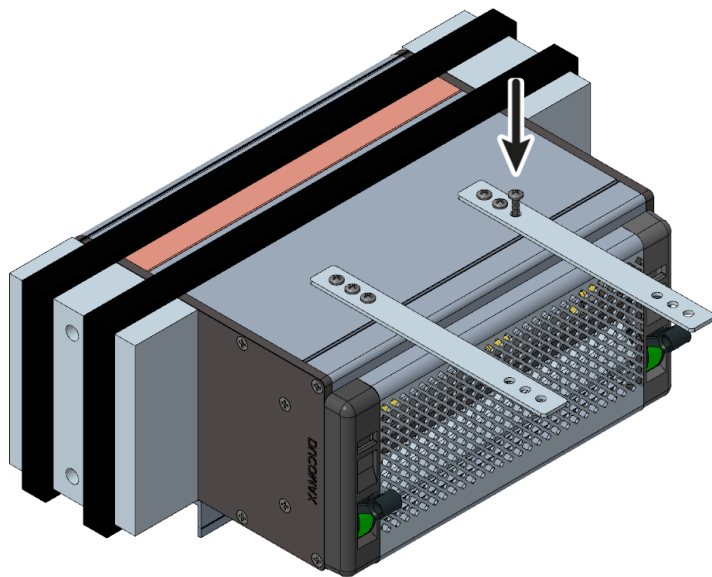


5 Fitting on top of the window frame

- 1) Screw the inner L-profile in place so that it fits over the window profile.
- 2) Stick 2x swell tape around the window ventilator for a proper seal.



- 3) Screw fixing lugs to the top of the window ventilator. Screw these every 700mm. At least 2 screws per fixing lug.
- 4) Place the window ventilator on the window and screw down (min. 3.5 x 30mm).



- 5) Tilt the window into the opening and secure it.
Chock the window ventilator every 700mm and screw the fixing lugs to the building structure every 700mm.
Make the window ventilator airtight together with the window.

