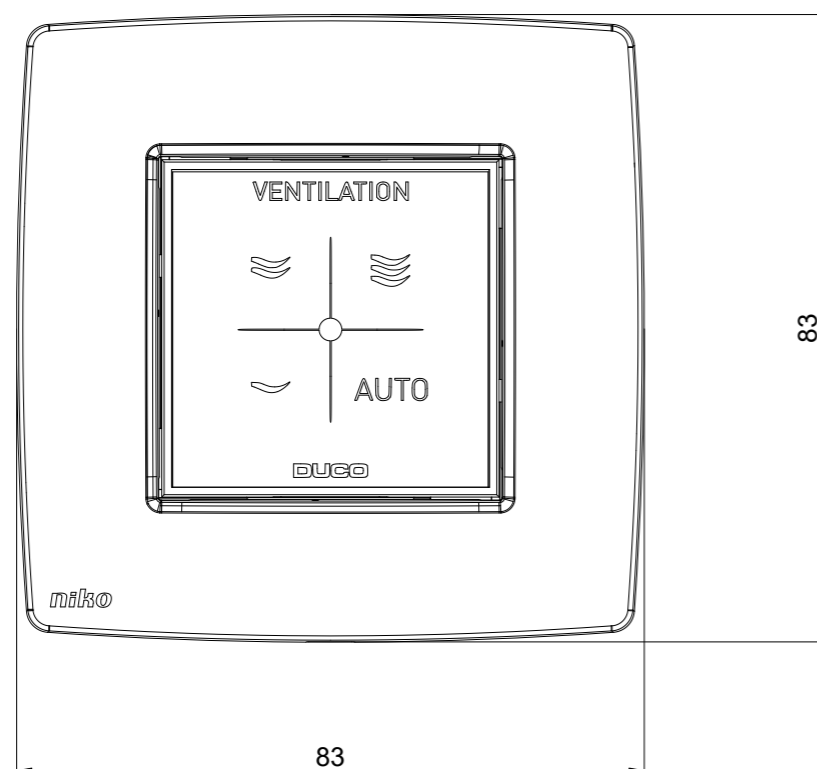
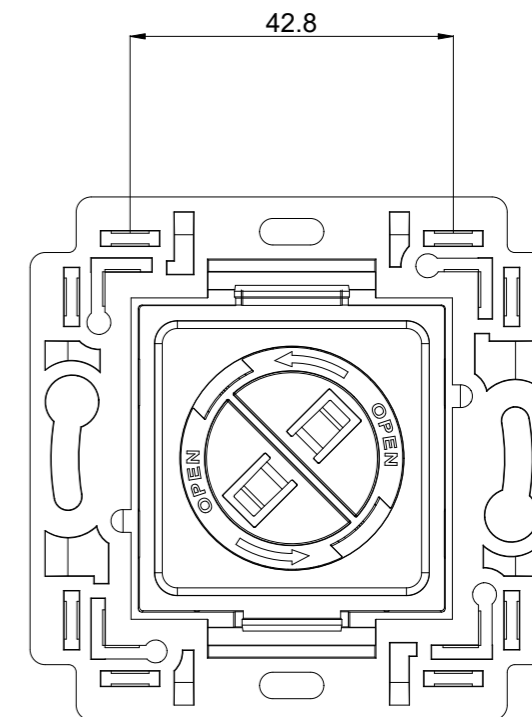
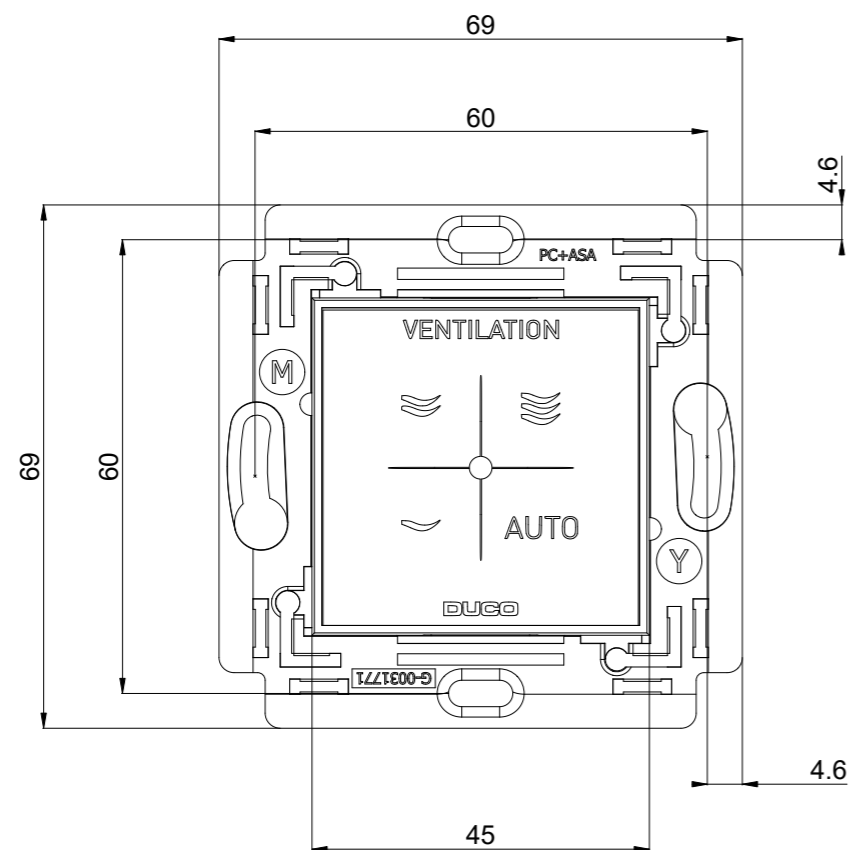
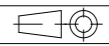
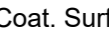


All unspecified measurements are obtained directly from the CAD-model

| | |
|---------|-----------------------|
| Status | Status Date |
| In Work | 19-Oct-20 03:15:31 PM |



| Iteration | Rev. Date | Name | Description | | |
|-----------|-----------|------|---------------------------------|-----------------|---|
| | | | Bedieningsschakelaar BAT | Date: 08-Feb-21 | |
| | | | | Scale: 1.000 | |
| | | | DUCO | Draftsman: - | |
| | | | | Revision: A | |
| | | | Tol.: - | |  |
| | | | Mat.: | | |
| | | | Format: A3 | |  |
| | | | Outline | | |
| | | | Weight | | Volume |
| | | | 0.000 | | |
| | | | Coat. Surf. | | Drawing number |
| | | | mm | | |
| | | | kg/m | | 33089.3 |
| | | | dm ² /m | | |
| | | | mm ³ | | A1123617 |
| | | | | | |

Handelsstraat 19 - 8630 Veurne - Belgium
 tel. 0032-58/330033 fax. 0032-58/330044
 info @ duco.eu www.duco.eu
 This drawing is property of Vero Duco NV and can not be copied,
 neither shown to third party/externally without written permission.