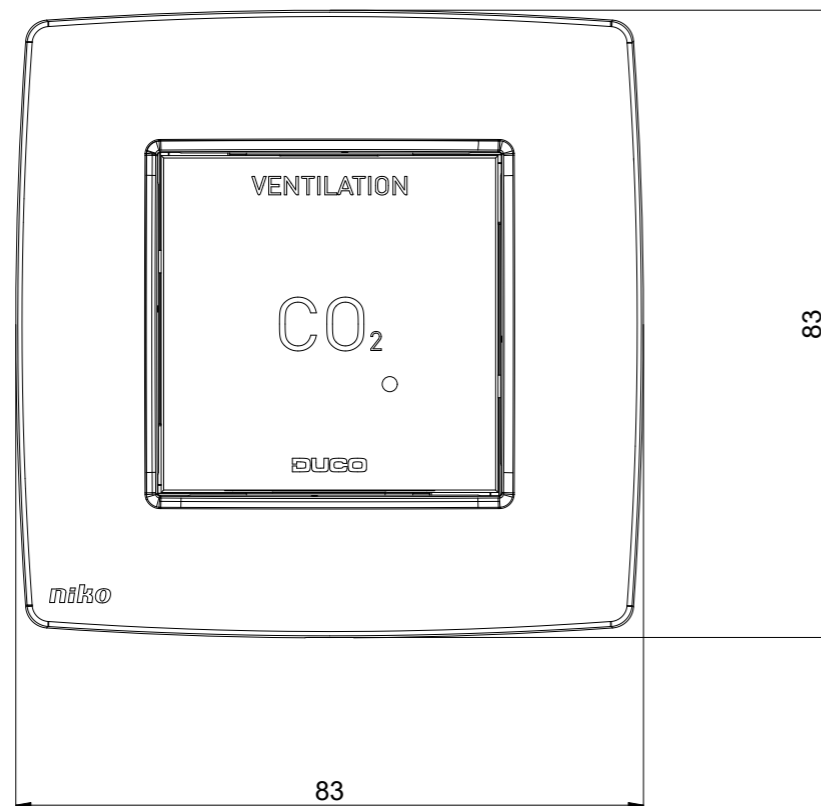
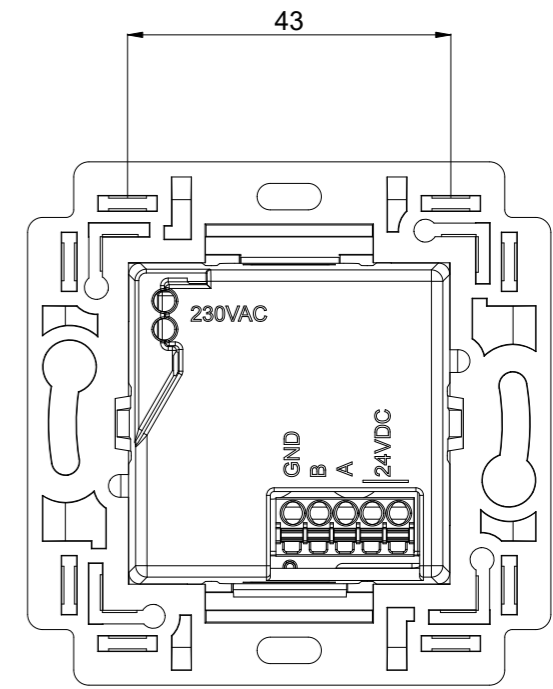
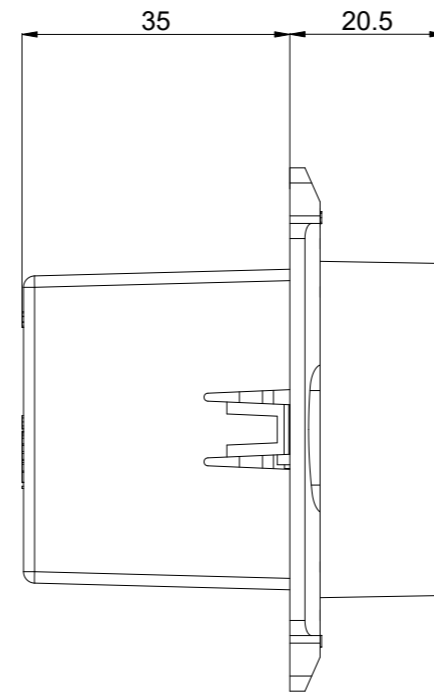
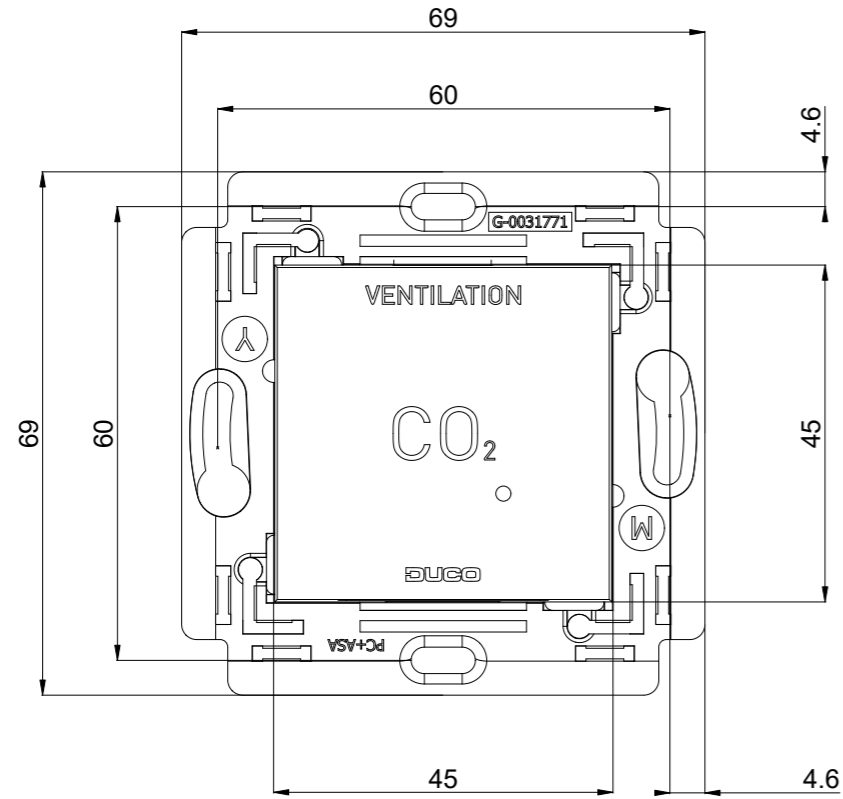


All unspecified measurements are obtained directly from the CAD-model

Status	Status Date
In Work	19-Oct-20 03:15:31 PM



Iteration	Rev. Date	Name	Description		
<h2>CO2 ruimtesensor zonder bediening</h2>				Date: 08-Feb-21	
				Scale: 1.000	
<h1>DUCO</h1> <h3>Ventilation &amp; Sun Control</h3> <p> <small>HANDELSSTRAAT 19 - 8630 VEURNE - BELGIUM                      tel. 0032-58/330033 fax. 0032-58/330044                      info @ duco.eu www.duco.eu</small> </p> <p><small>This drawing is property of Vero Duco NV and can not be copied, neither shown to third party/externally without written permission.</small></p>				Draftsman: -	
				Revision: A	
Tol.: -				Drawing number	
Mat.:				Volume	A1123626
Format: A3		Outline	89240.7		
mm		Weight	mm <sup>3</sup>		
kg/m		Coat. Surf.	dm <sup>2</sup> /m		