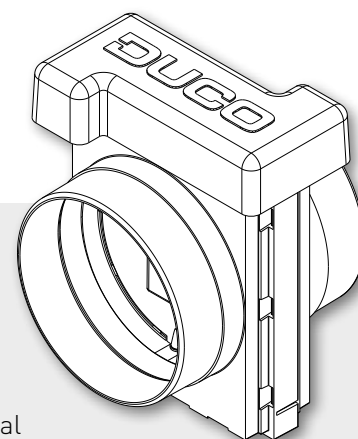


TECHNICAL DATA SHEET

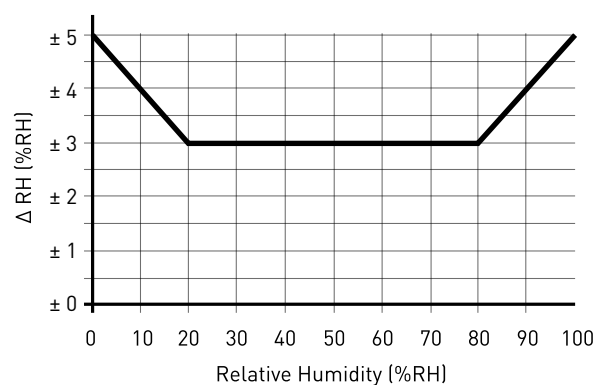
Intelli Air Valve 160 mm



The Intelli Air Valve can be implemented seamlessly as a compact system equally well in high-rise buildings, multiple dwelling buildings, student accommodation, schools or offices. Combined with a (pressure-controlled) roof fan, this intelligent control valve ensures air is exhausted efficiently throughout the building. It also makes the use of a zonally controlled mechanical exhaust fan for each dwelling unit redundant. At the same time, existing ventilation ducts and the (pressure-controlled) roof fan can be retained.

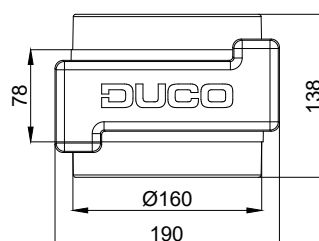
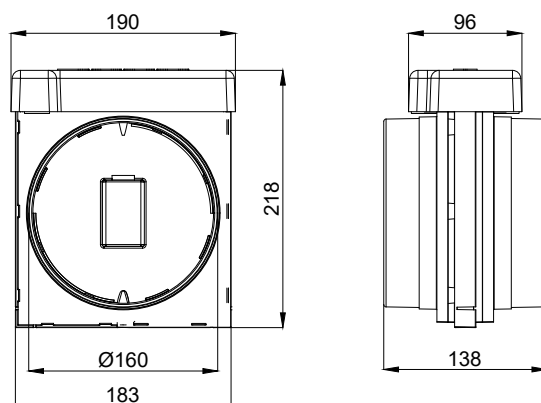
Physical characteristics

Item number	4393: Set iAV CO ₂ 4394: Set iAV Humidity 4395: Set iAV Sensorless
Dimensions (W x H x D)	Casing: 220 x 183 x 138 mm Control valve: 165 x 195 x 48 mm
Installation	between 2 ducts (spacing: 78 mm)
Duct diameter	ø 160 mm
Weight	Casing: 348 g iAV Control valve: 280 g
Material	PP
Colour	iAV Casing: green casing + white cover iAV Control valve: white



Electrical characteristics

Power supply	24 VDC
Electric power	Standby: 0.4 W Peak: 7 W
Communication	RF with underlying components. Wired connection with any IQ-unit.
Sensors	Temperature (CO ₂ and Humidity Control valves only) CO ₂ (CO ₂ Control valve only) Relative humidity (Humidity Control valve only)
RH range	0 - 100 % RH
CO₂ range	300 – 2000 ppm
CO₂ accuracy	40 ppm +/- 5%
IP class	IP40



Ventilation characteristics

Extraction capacity at 150 Pa	Maximum 250 (m ³ /h)
--------------------------------------	---------------------------------