

TECHNICAL DATA SHEET

Multi-zone valve DucoBox Energy Comfort (Plus)



The 2-zone control for the supply to the home is taken care of quickly and discreetly by the compact Multi-zone valves. A valve is provided for each shunt to the different zones.

The division and regulation into different ventilation zones not only yields significant energy savings, but also ensures that the ventilation system operates much more quietly.

2 variants	Article number
Multi-zone valve DucoBox Energy Comfort (Plus) Ø160	0000-4760
Multi-zone valve DucoBox Energy Comfort (Plus) Ø125	0000-4761

Physical properties

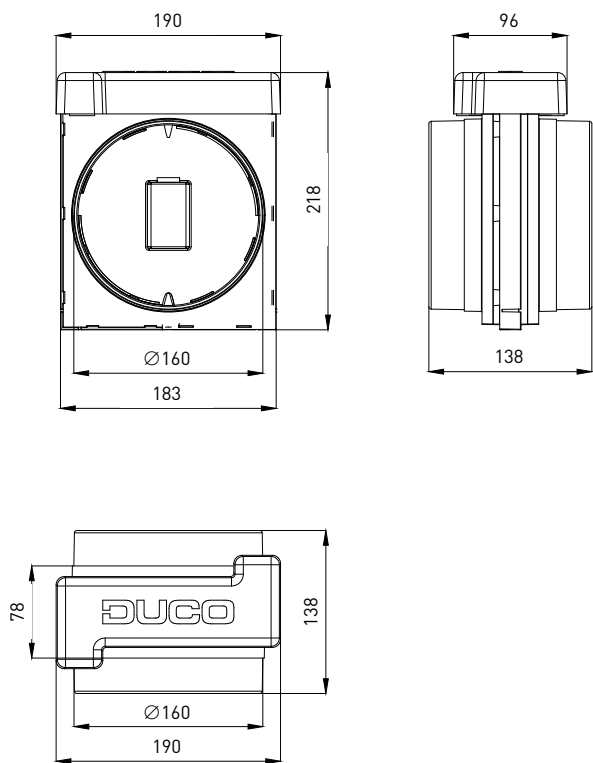
	Multi-zone valve Ø160	Multi-zone valve Ø125
Width x Height x Depth (mm)	220 x 183 x 138 mm	192 x 150 x 138 mm
Duct diameter	2 x Ø160 (M)	2 x Ø125 (M)
Weight	628 g	488 g
Material	PP	
Casing colour	Green, with a white lid	
Valve colour	White	
Applicable for	DucoBox Energy Comfort (Plus)	
Mounting	SUP (supply) ducts Between 2 ducts (spacing 78 mm) Up to 4 Multi-zone valves per DUCO system	

Electrical characteristics

Power supply	24 VDC
Communication	Duco Wired, to be connected to DucoBox (cabling not included)
Peak power	3 W
IP class	IP40

Sectional drawings Multi-zone valve DucoBox Energy Comfort (Plus)

Multi-zone valve DucoBox Energy Comfort (Plus) $\varnothing 160$



Multi-zone valve DucoBox Energy Comfort (Plus) $\varnothing 125$

