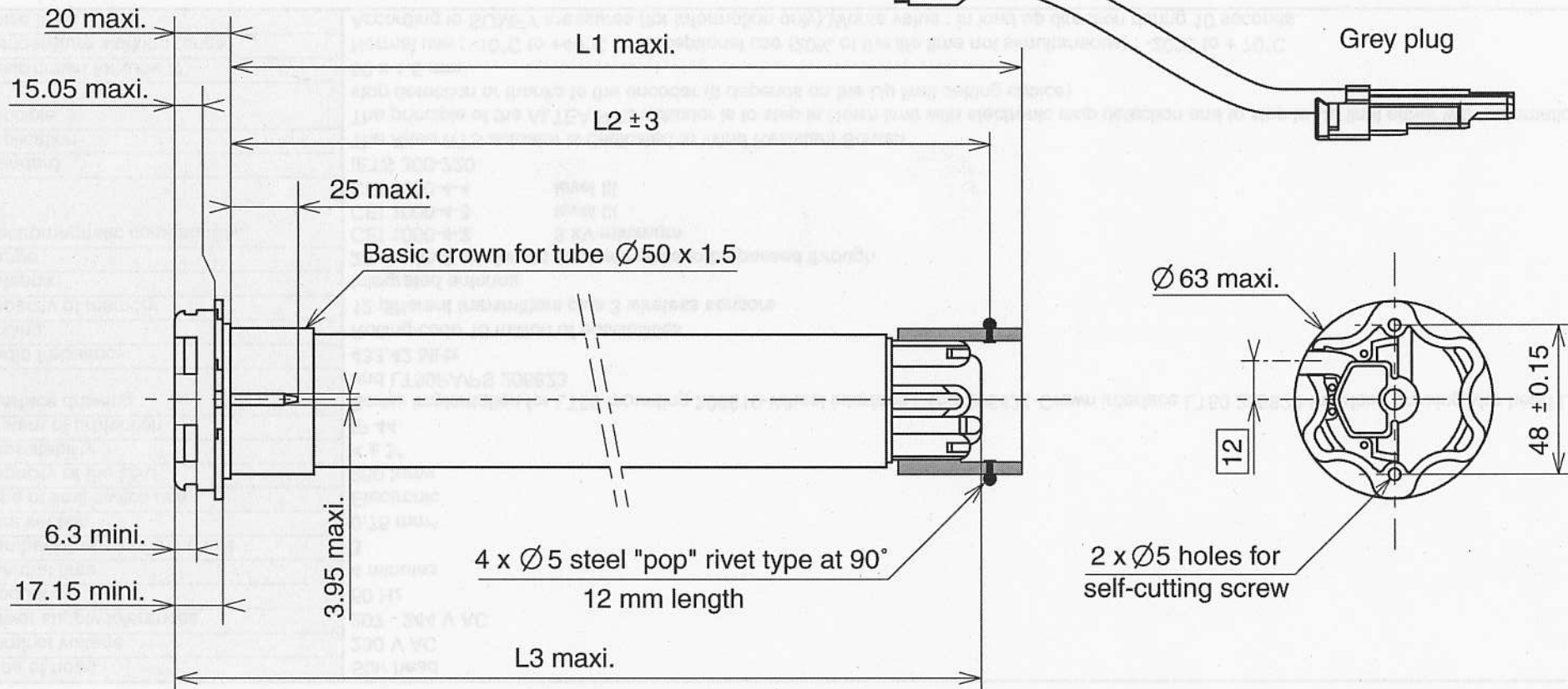


Type of head	Star head
Nominal voltage	230 V AC
Power supply tolerances	207 - 244 V AC
Frequency	50 Hz
Thermal time	4 minutes
Number of wires of the cable	3
Wire section	0.75 mm ²
Type of limit switch unit	Electronic
Capacity of the LSU	250 turns
Repeatability	< ± 3°
System of protection	IP 44
Interface drawing	Screw implantation for LT50 mounting 206810-Wheel interface LT50 206821-Crown interface LT50 206822-Interface drawing star head LT50 and LT50PA/PS 206823
Radio frequency	433.42 MHz
Coding	Rolling code 16 million of possibilities
Capacity of memory	12 different transmitters plus 3 wireless sensors
Antenna	Integrated antenna
Range	20 m with 2 reinforced concrete walls to be passed through
Electromagnetic compatibility	CEI 1000-4-2 8 kV minimum CEI 1000-4-3 level III CEI 1000-4-4 level III
Standard	IETS 300-220
Application	The Altea RTS actuator is dedicated to Wind Resistant Screen
Principle	The principle of the ALTEA RTS actuator is to stop in Down limit with electronic stop detection and to stop in Up limit either with automatic stop detection or thanks to the encoder (it depends on the Up limit setting choice)
Basic crown for tube Ø	50 x 1.5 mm
Temperature working range	Normal use : -10°C to +40°C Exceptional use (2 % of the life time not simultaneous) : -20°C to + 70°C
Noise level	According to SOMFY measures (for information only).Worse value : in load up direction during 10 seconds.

Designation	Nominal torque (Nm)	Nominal speed (rpm)	Reference	L1 (mm)	L2 (mm)	L3 (mm)	Tube (mm)	Rated power (W)	Rated current (A)	Thermal tripping (°C)	Brake type	Weight (kg)	Noise (dBA)
ALTEA 50 RTS 6/17	6	17	5010731	605	590	613	540	90	0.45	140	sliding	1.94	47
ALTEA 50 RTS 6/32	6	32	5010732	655	640	663	590	120	0.5	140	sliding	2.38	52

WIRING	Neutral	Blue
	Live	Brown
	Earth	Green / Yellow



Visa :	DT <i>E. Gruez</i>	Quality <i>[Signature]</i>	Marketing <i>[Signature]</i>	Noir Céline
--------	--------------------	----------------------------	------------------------------	-------------