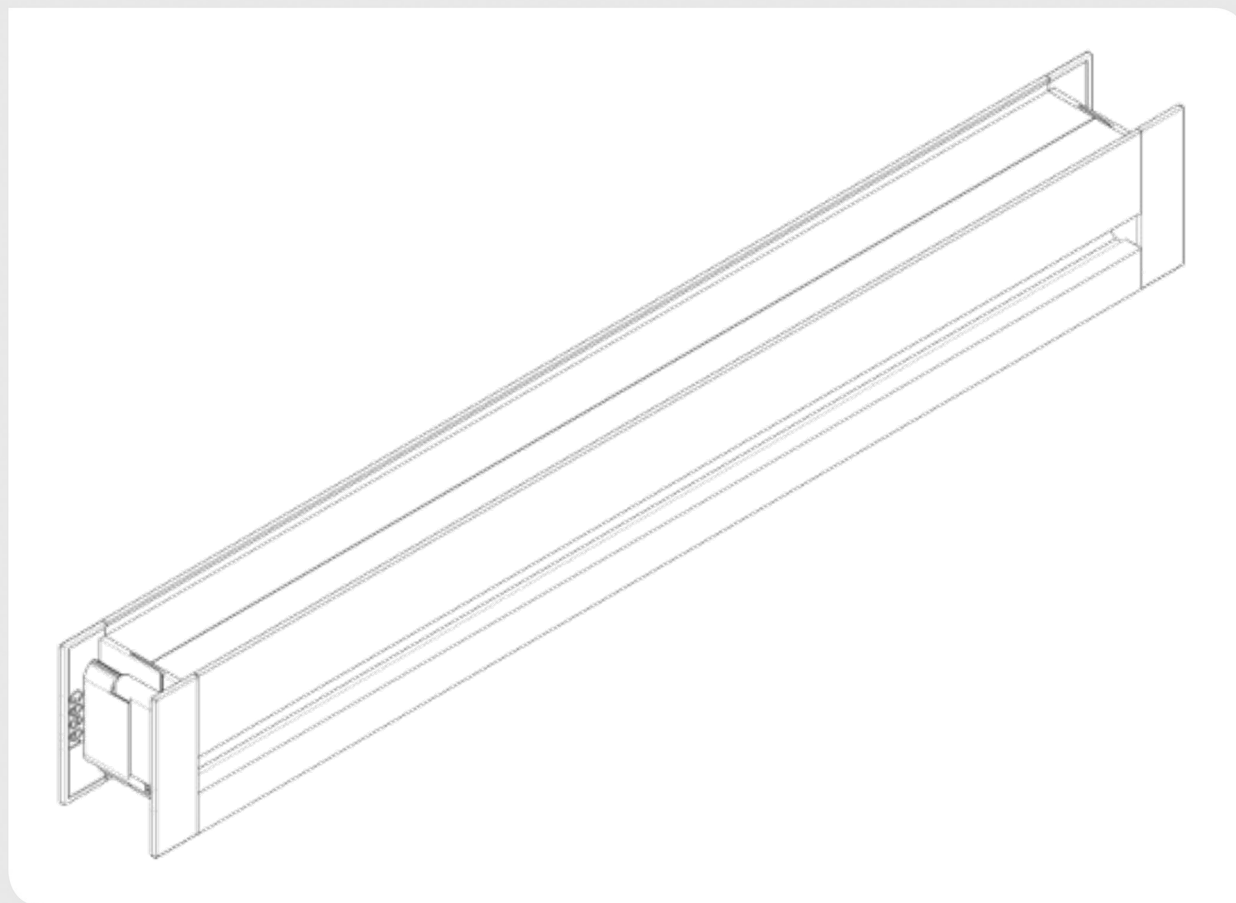


DoorVent

L0004088-A 16/10/2023



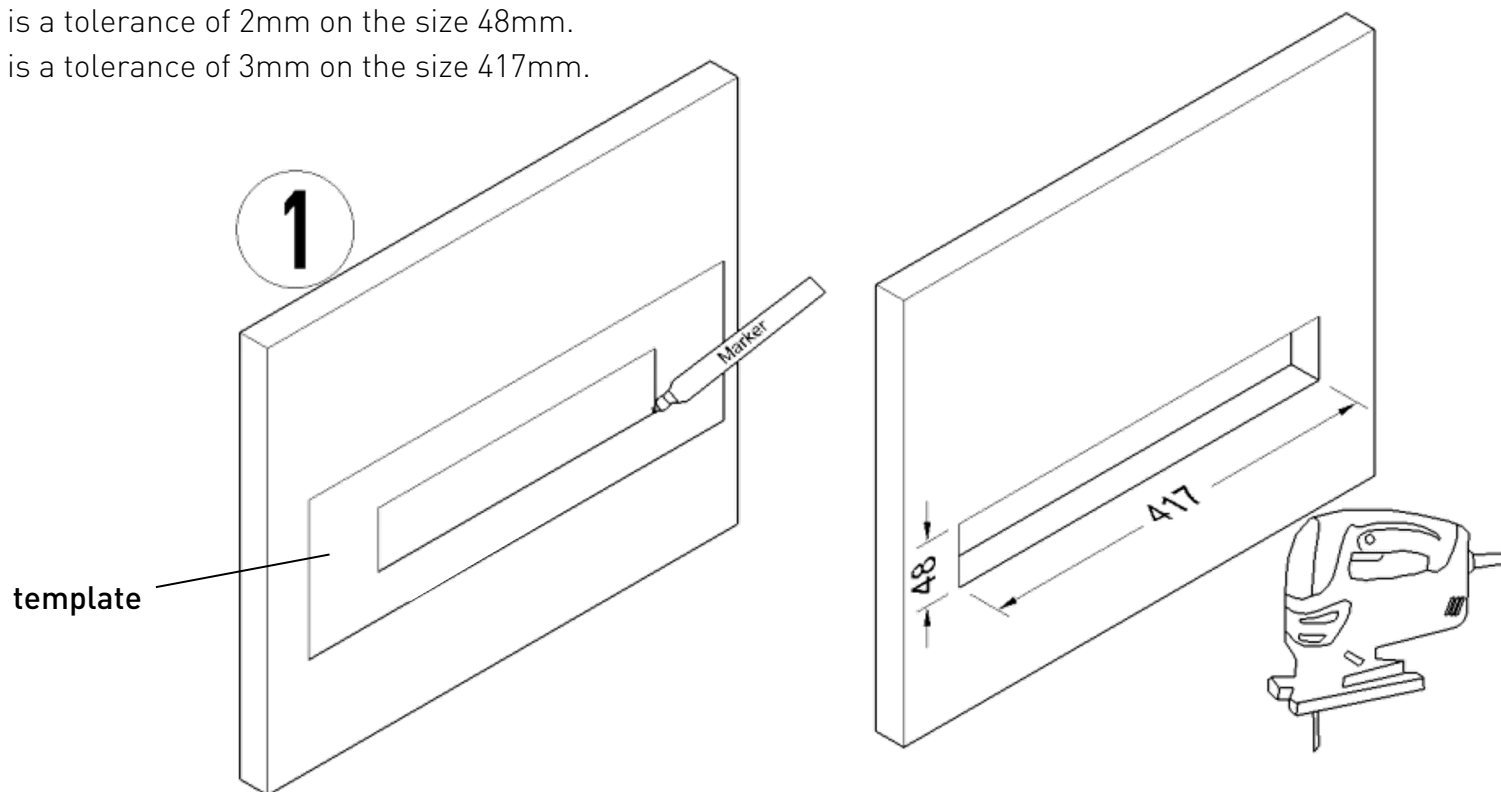
1) Place the template on the door and mark the opening to be cut.

OR

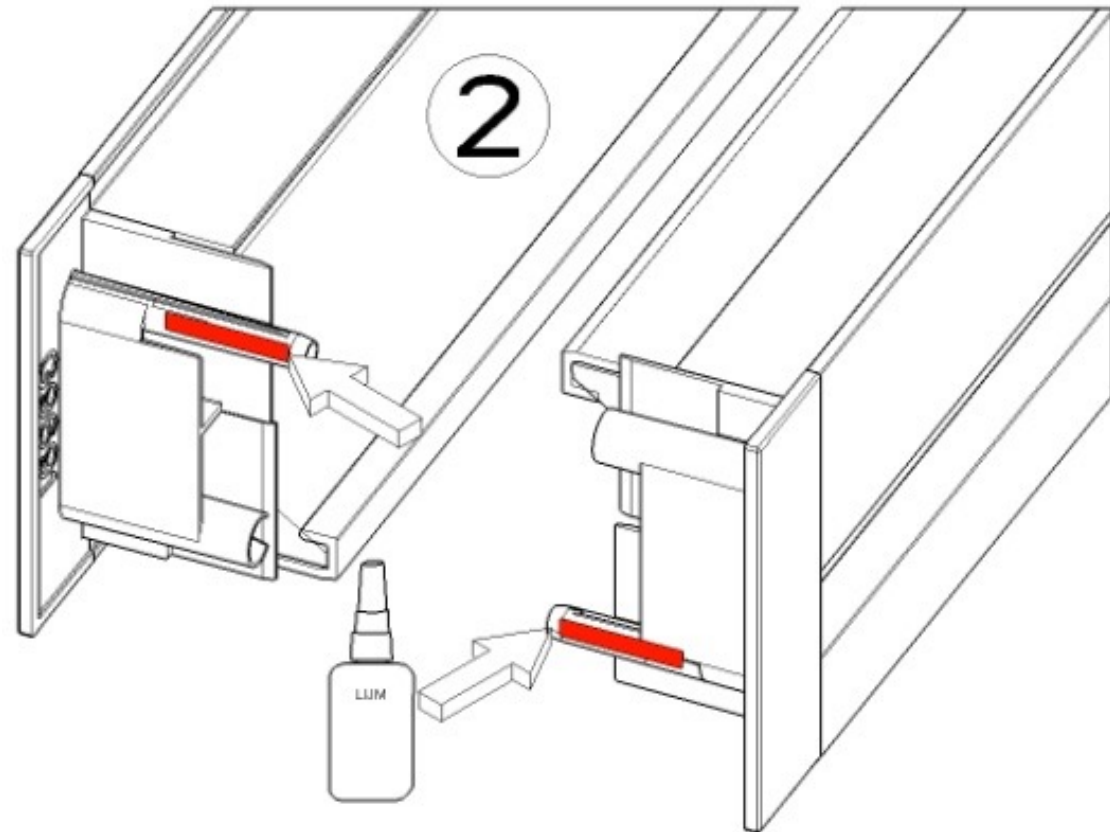
Make an opening in the door of 417mm x 48mm.

There is a tolerance of 2mm on the size 48mm.

There is a tolerance of 3mm on the size 417mm.



2) A layer of superglue is placed on the pins of the end pieces (marked in red on the drawing).



3) The two identical halves are pushed together through the opening.

The feed-through vent is in place.

