

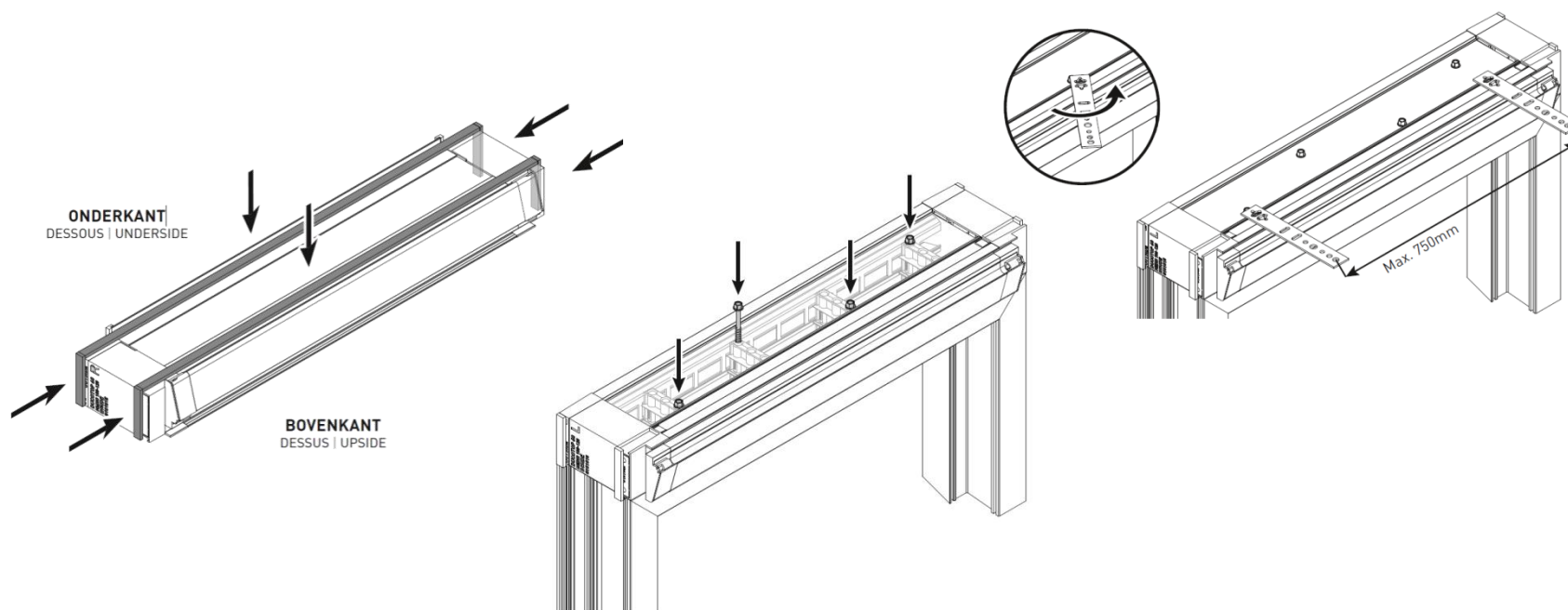
# Fitting instruction

# DucoTop 60 Dummy

L0004500-A 8/10/2018

1

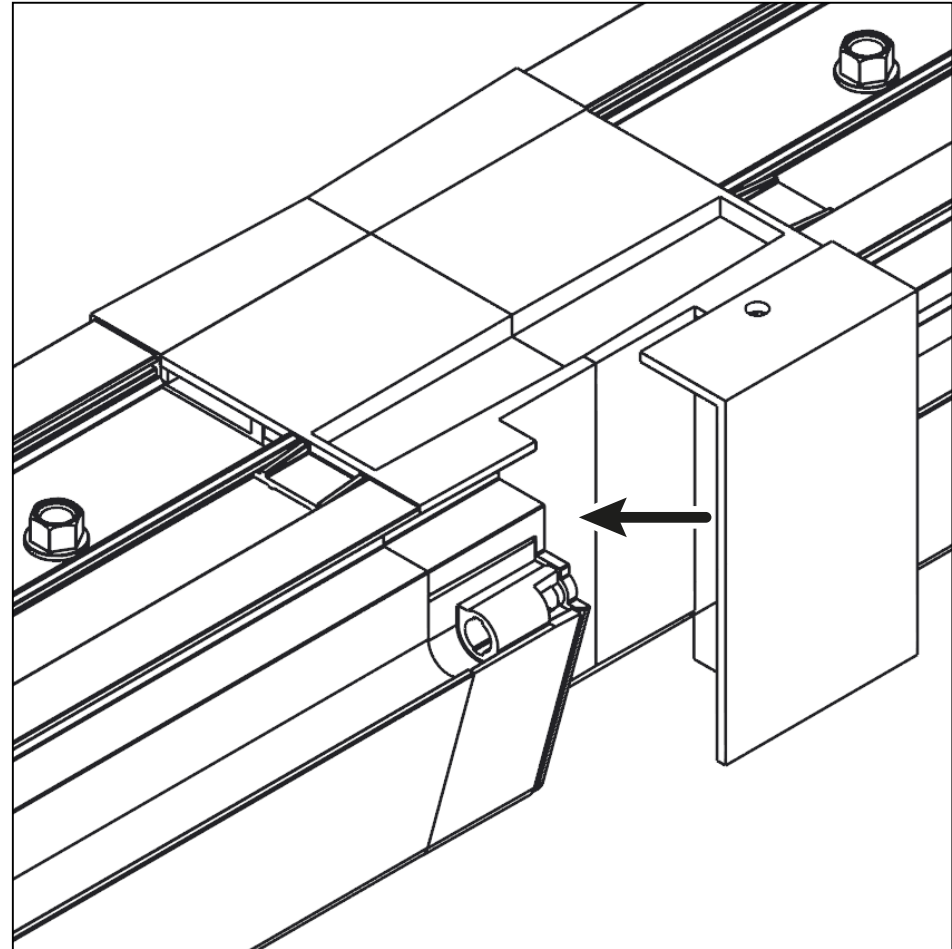
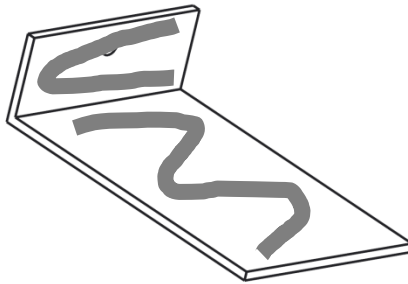
Follow the fitting instruction for the  
DucoTop 60 'SR' (AK(+))



## 2

## Fitting link plates

Take a 45 mm link plate and apply adhesive sealant on the inside.  
Apply it on the inside between the 2 ventilators in order to finish off the joint.



## 2 Fitting link plates

Take a 91 mm link plate and apply adhesive sealant on the inside.  
Apply it on the outside between the 2 ventilators in order to finish off the joint.

