

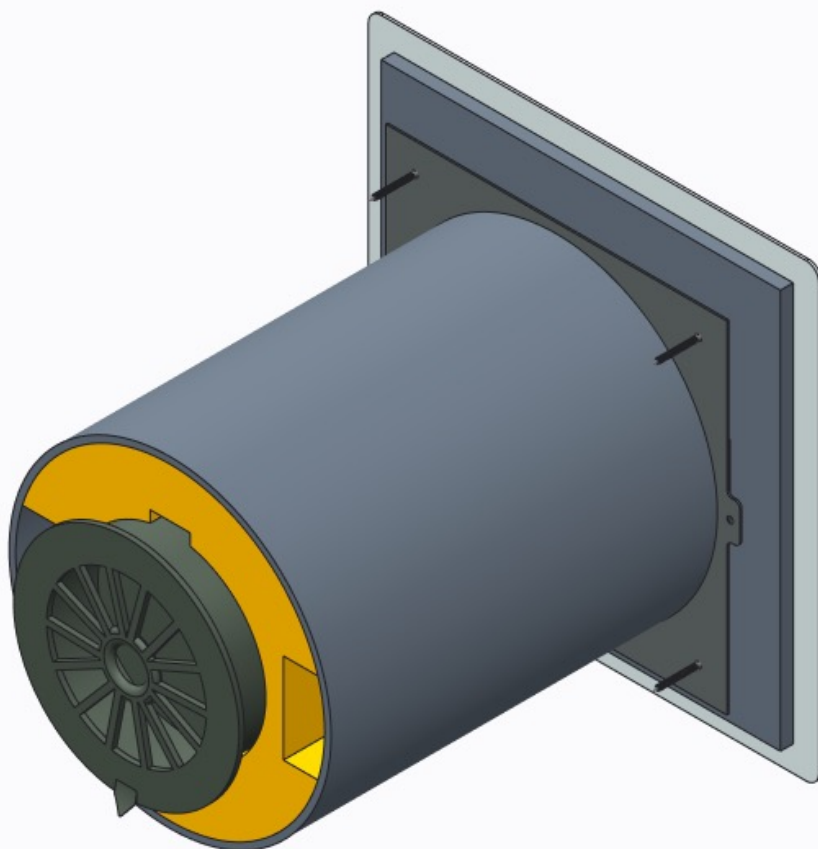
Fitting instructions

Silenzio Retro SR

L0004117 19/05/2021

CONTENTS

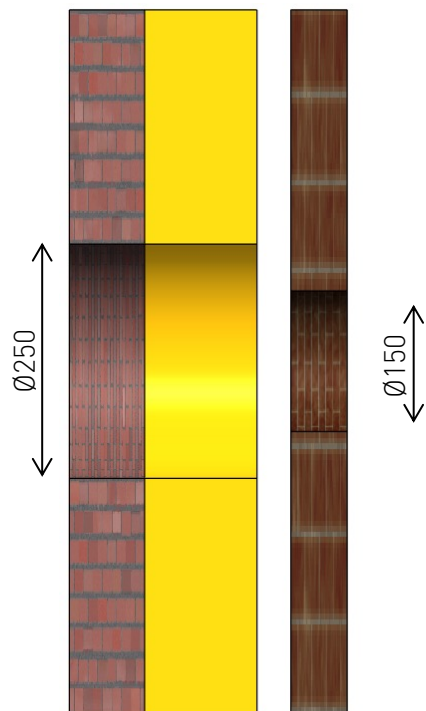
1. Fitting PVC tube & outer section
2. Fitting damper & inside section
3. Operation



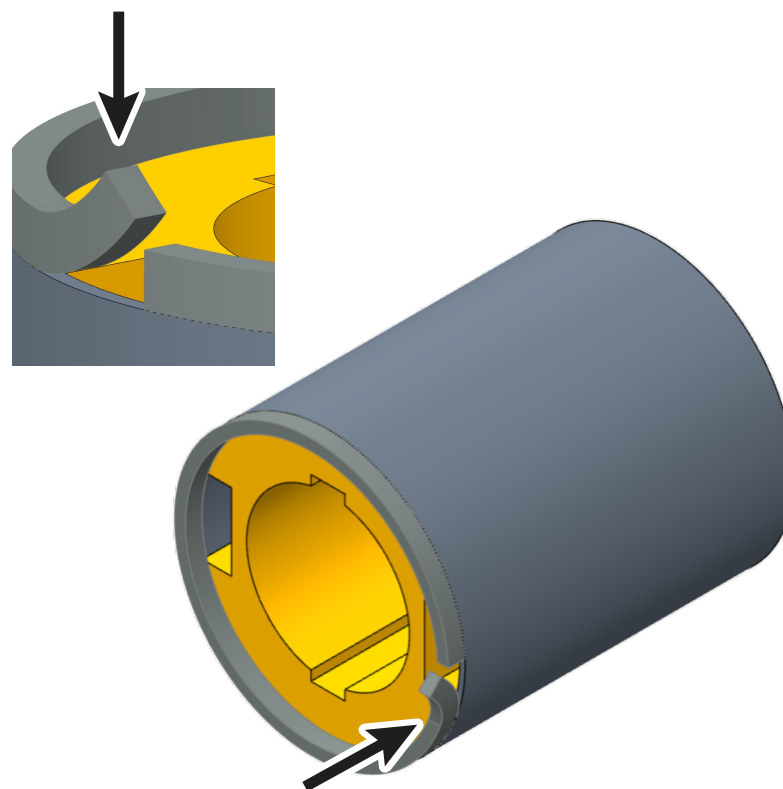
1

Fitting PVC tube & outer section

1. For this configuration, the wall needs a 250 mm dia. opening on the inside extending to the outside wall. The outside wall needs a 150 mm dia. opening.



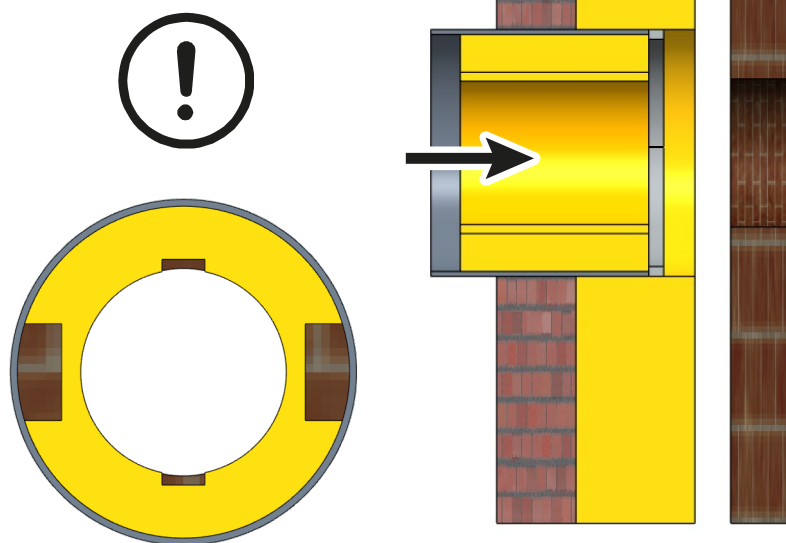
2. Stick the swellable tape supplied onto the PVC tube on the side where the foam coincides with the tube.



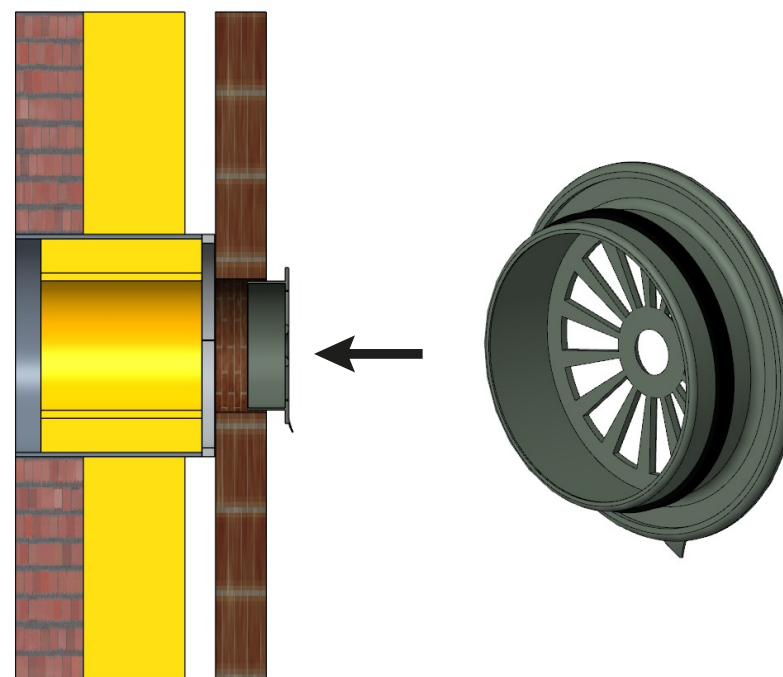
1 Fitting PVC tube & outer section

3. Slide the PVC tube into the wall with the swellable tape up to the outside wall. Ensure that the foam is located with the large openings on the side as illustrated.

It is important at this point that the tube is flush with the inside of the inside wall.

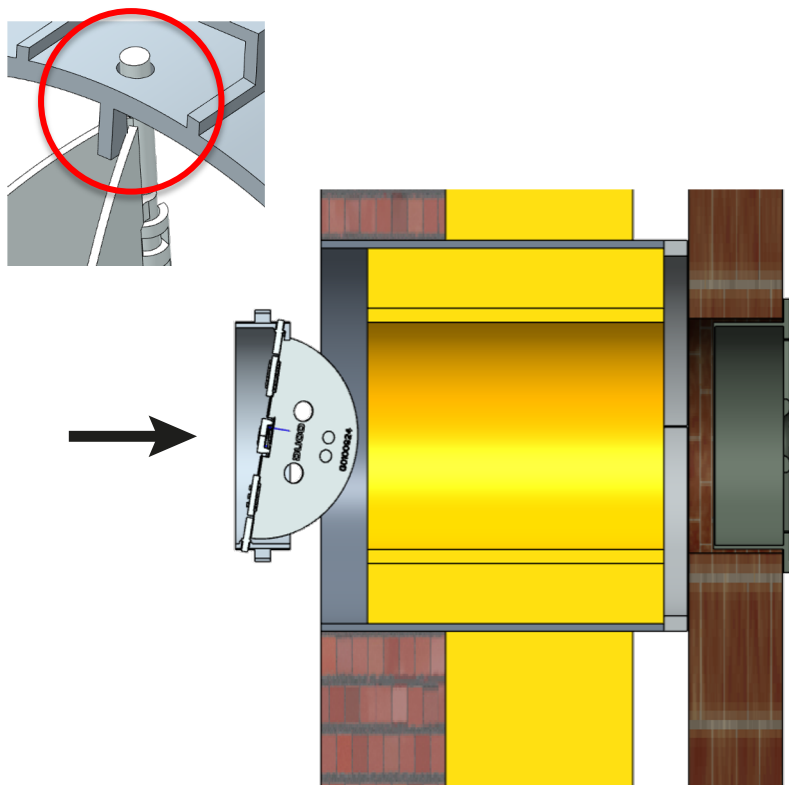


4. Slide the decorative grille into the 150 mm dia. opening. This step may also take place last. Joint sealant tape or sealant can be applied around the grille if it is not adequately secure.

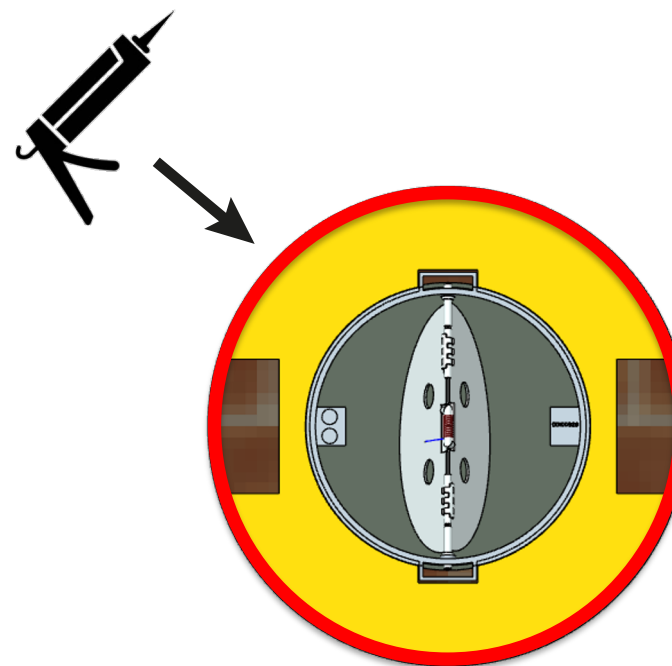


2 Fitting damper & inside section

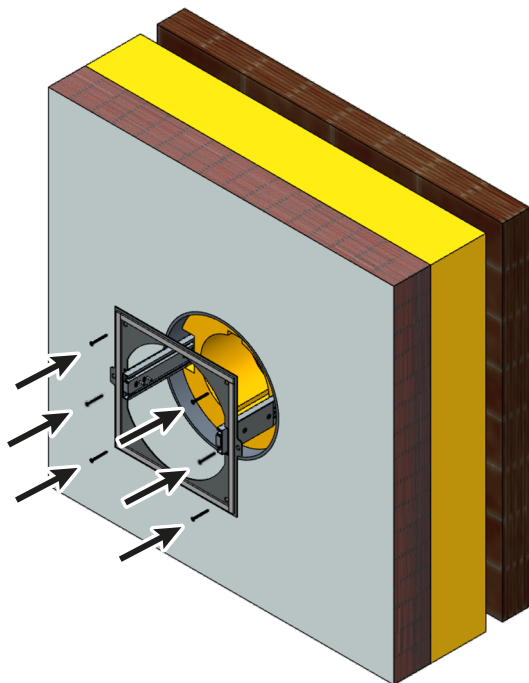
1. Slide the damper into the foam. Take care to ensure that the lip on the ring is facing upwards and towards the outside wall.



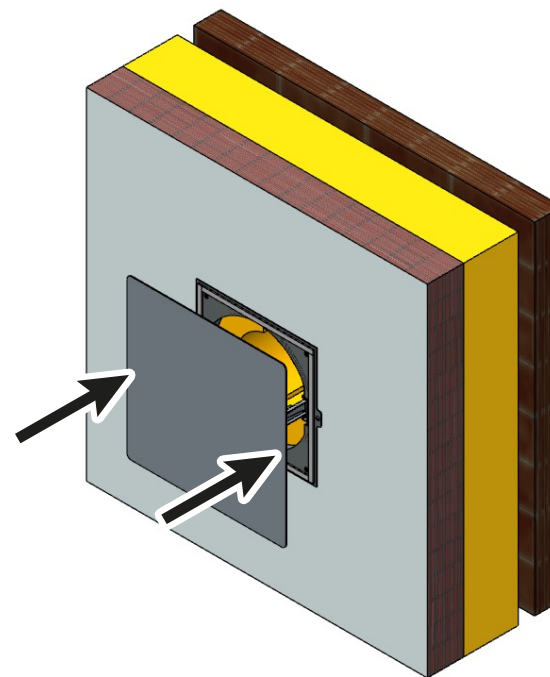
2. Apply silicone to the joint between the PVC tube and the wall for a good seal.



3. Mark out the 6 holes using the folded aluminium sheet. Ensure it is nice and level. Drill the holes with a 6 mm dia. bit. Insert the plugs supplied into the holes and screw the Silenzio base plate down with the 6 screws supplied.



4. Slide the trim plate with the previously fitted plastic parts and sections over the sleeve bearings.



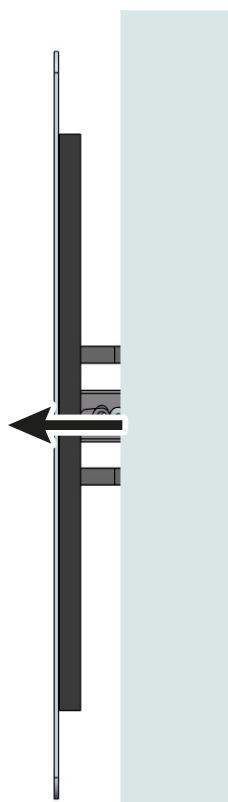
3

Operation

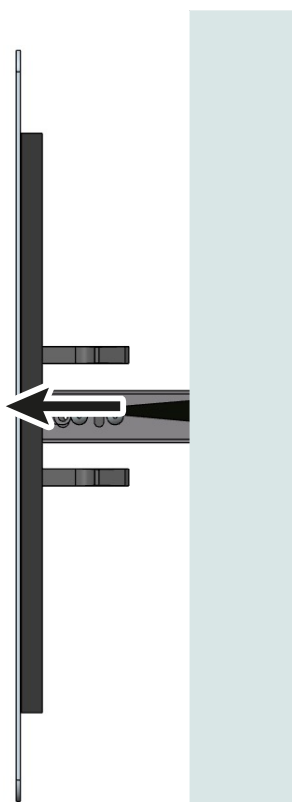
Shut



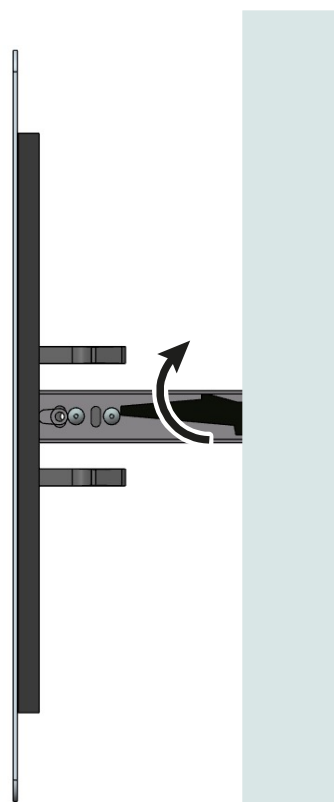
Open ≈ 35 mm



Pull harder to slide out completely.



Push handle up or down (depending on whether L or R) to release.



Operate by hand only at the points indicated by the arrows.

