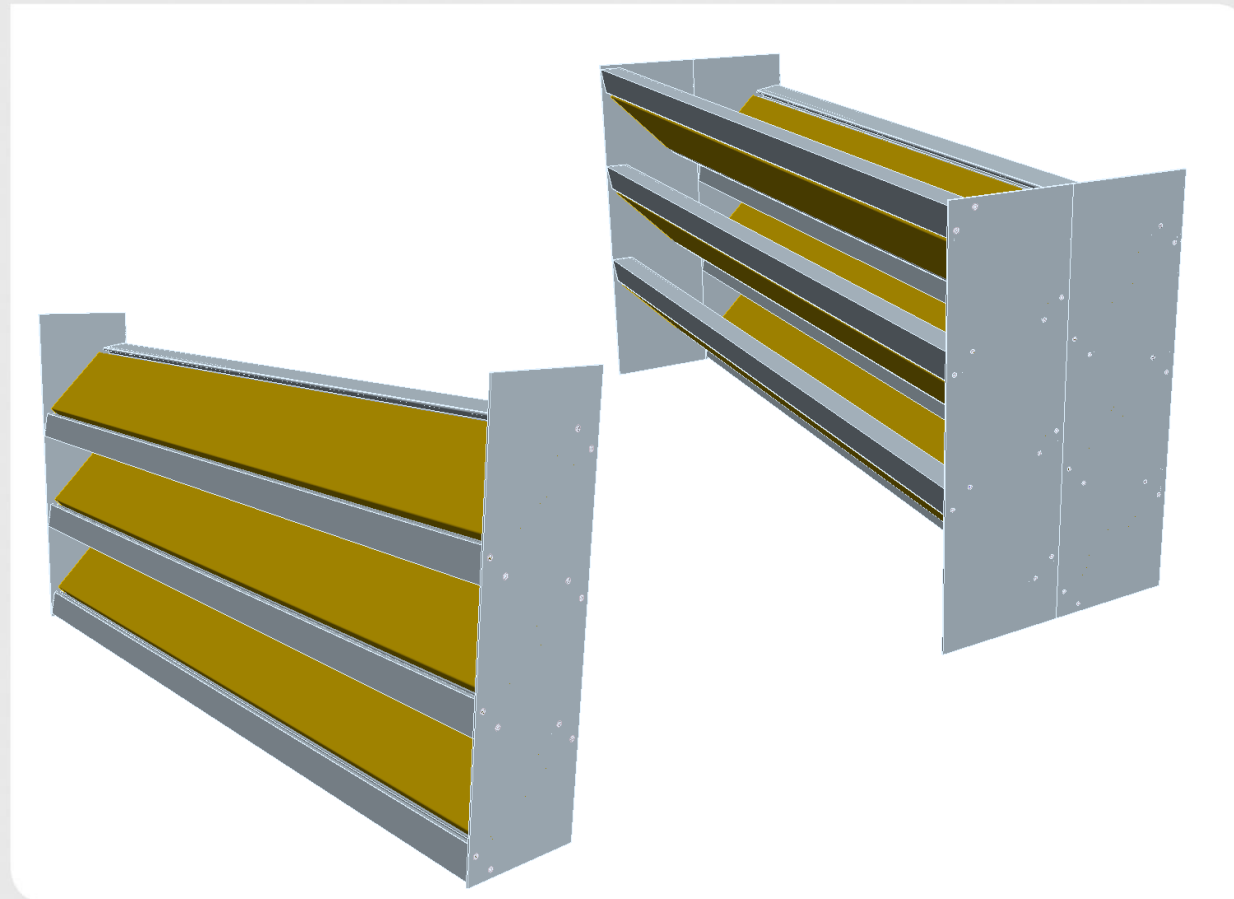


Fitting instructions

# Duco Acoustic Module 150

22/09/2020



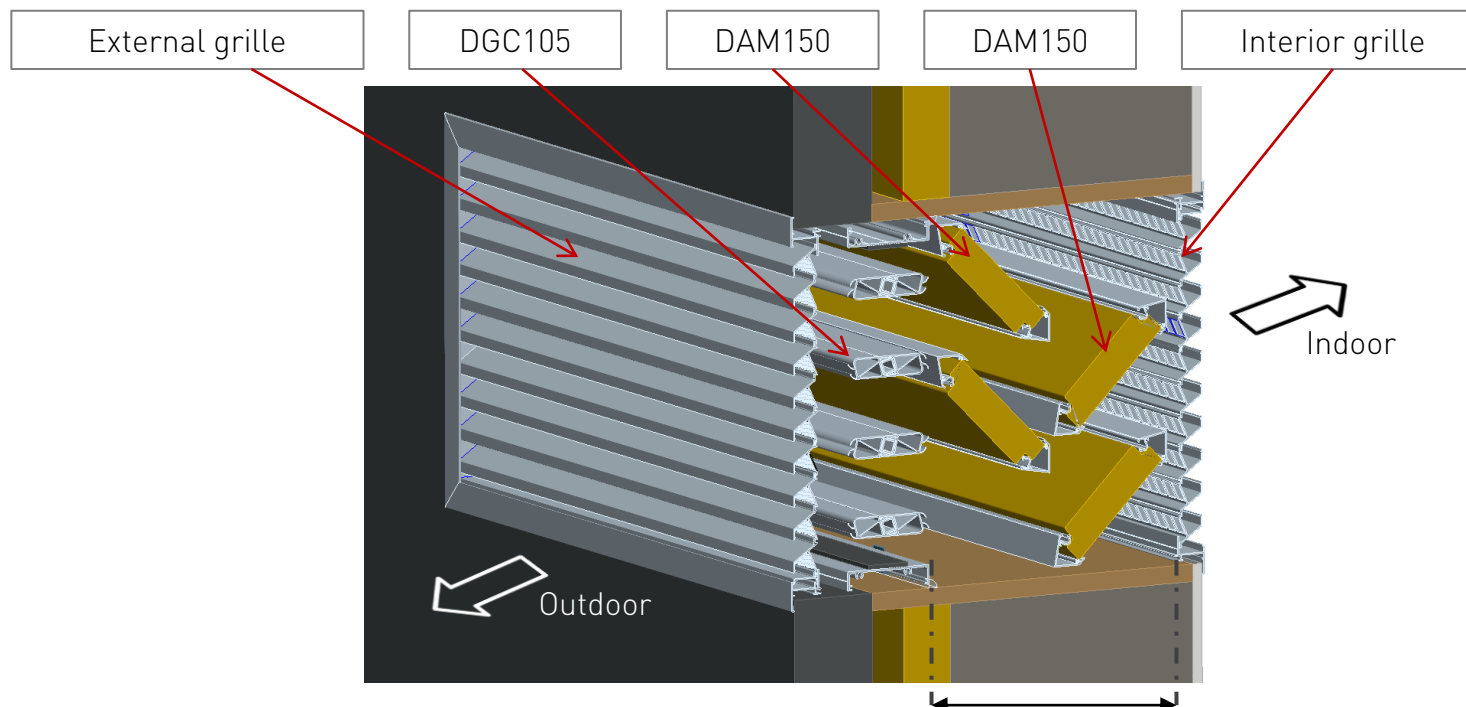
## CONTENT

1. Recess mounting
2. Dimensions
3. Installation

# 1

## Recess mounting

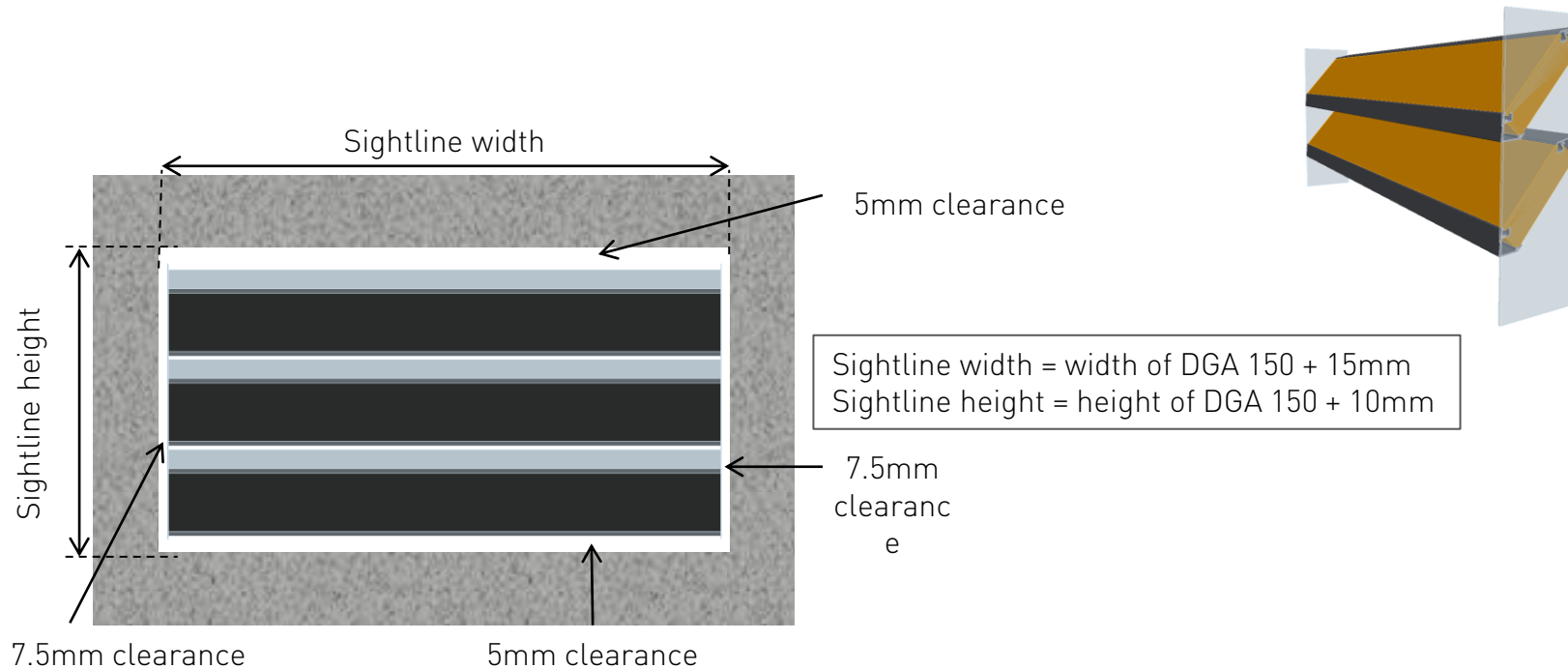
Duco Acoustic Module 150 series are primarily designed for recessed mounting in tandem with DucoGrille Close 105 series vents.



Allow clearance between the inner grille and the DucoGrille Close 105 : At least 160mm assembly applications with 1 DAM 150 assembly  
At least 310mm in applications with 2 DAM 150 assemblies

# 2

## Dimensions

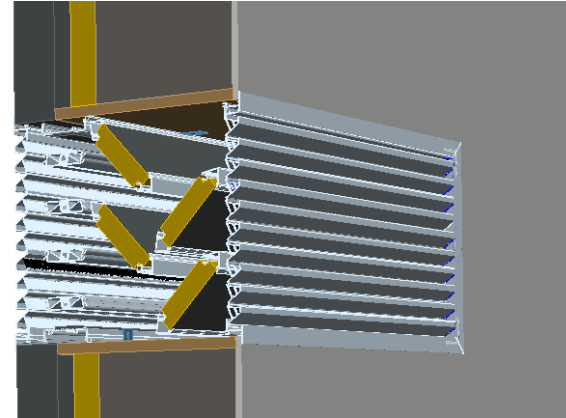
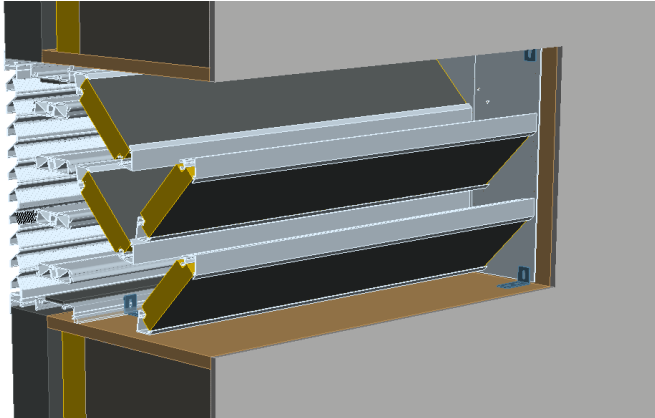


The Duco Acoustic Module 150 is available in a range of dimensions:  
Up to 1500mm, in steps of 1mm.  
- Height: At least 150mm, in steps of 1mm.

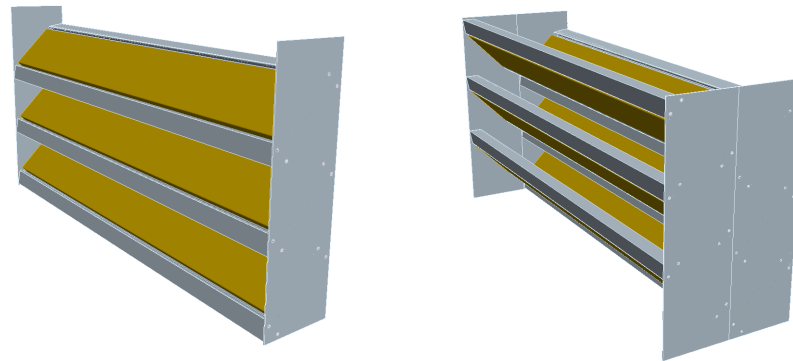
Blades can be orientated horizontally or vertically.



Fit each Duco Acoustic Module 150 with the black of the rock wool facing the internal grille.



For improved acoustic performance and where the fitting depth so permits, 2 identical DAM 150 assemblies can be fitted next to one another. When doing so, turn one assembly upside down, with the result that clearance alternates between the top and bottom.



Screw fix the DAM 150 in place into the fitting aperture. Use regular angle profiles and screws for this job (project-specific).

