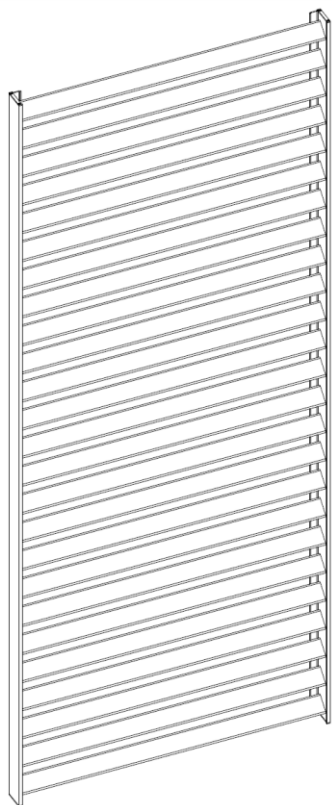


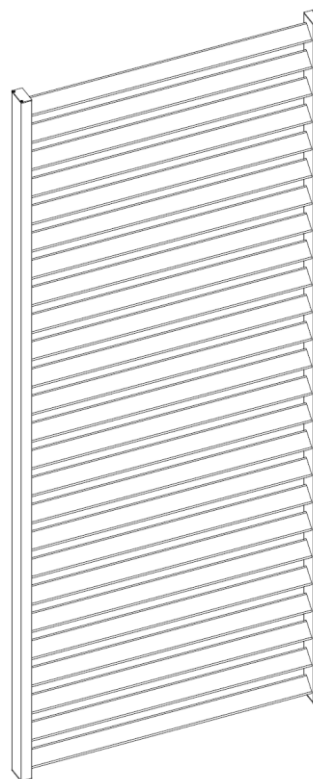
Installation instructions

Duco Barrier Load Louvre

18/02/2025



Slimframe 11/70



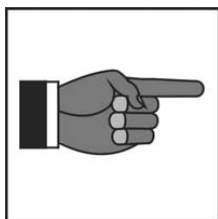
Luxframe 35/70

CONTENTS	
1.	Safety instructions
2.	Exploded view
3.	Parts list
4.	Fitting of Slimframe
5.	Fitting of Luxframe

1 safety instructions



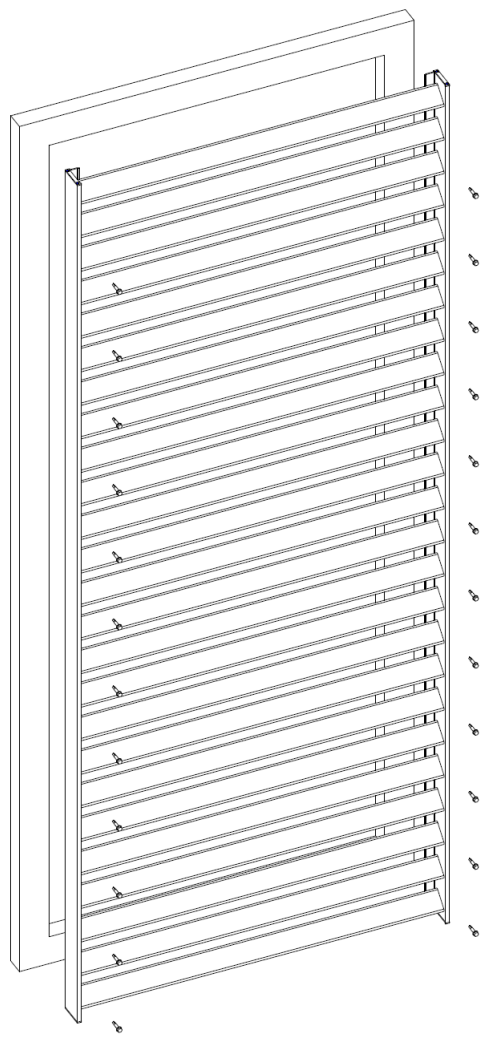
Risk of falling
Working on a façade entails a risk of falling.
Assembly personnel must be properly protected against falling or work on a professionally installed scaffolding. Failure to comply with this instruction can result in serious injury or death.



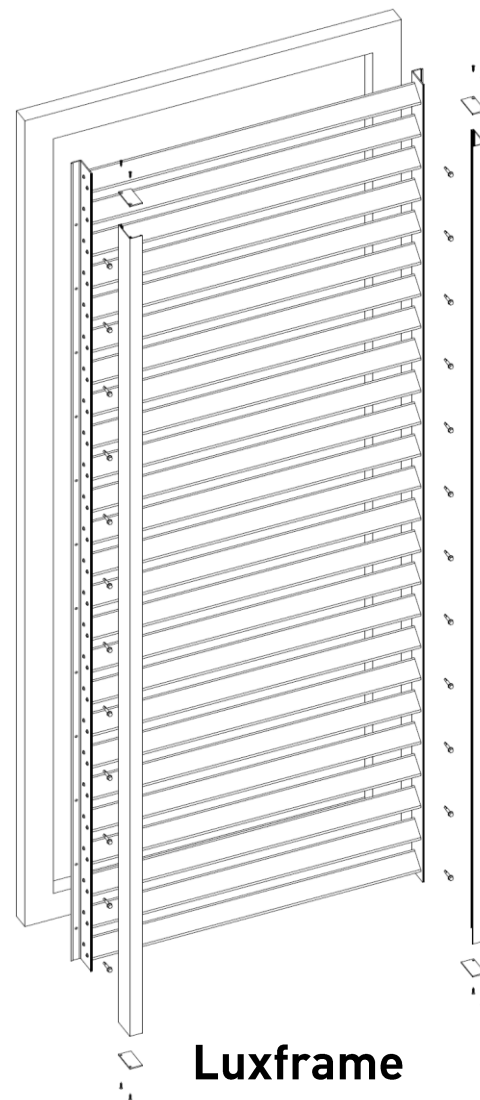
Note:
Mounting a Duco Barrier Load Louvre is a multi-step process that must be performed in the correct order as described to ensure proper operation of the installation.



2 Exploded view – Assembly on frame

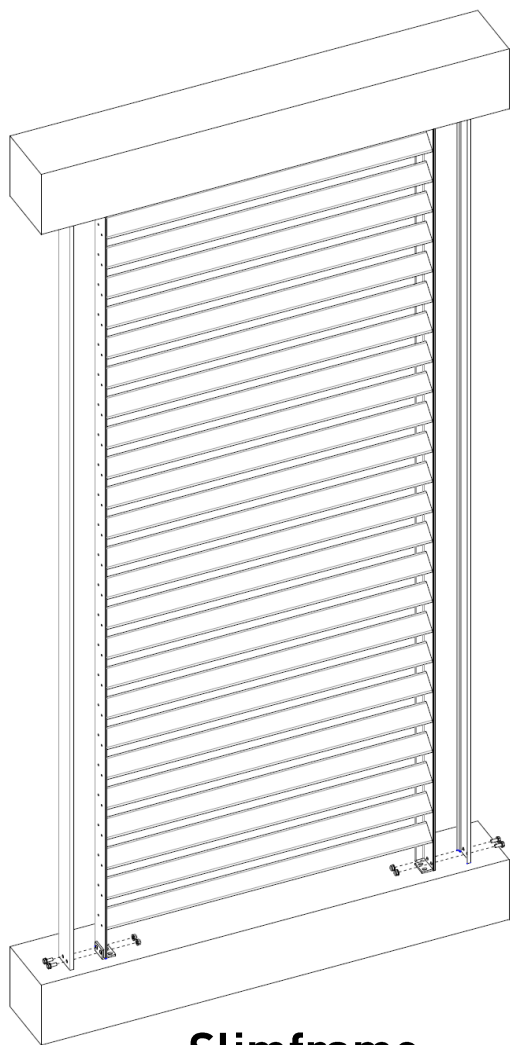


Slimframe

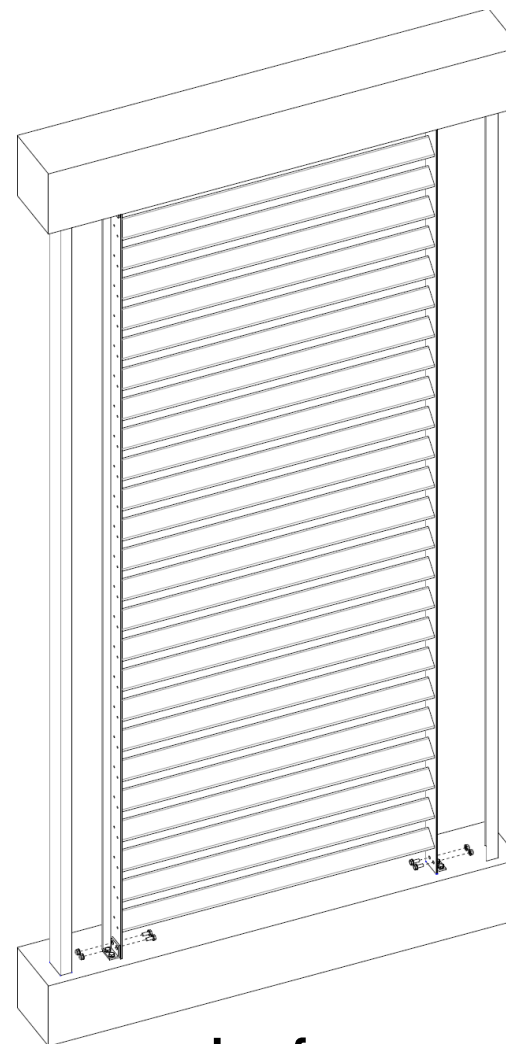


Luxframe

2 Exploded view – Four corner mounting



Slimframe

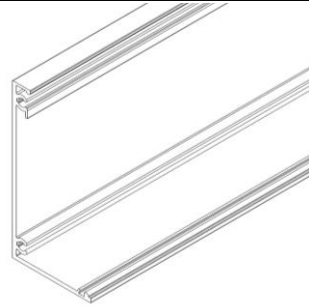


Luxframe

3

Parts list

DucoSlide Barrier Lux 70 lid
P1820010



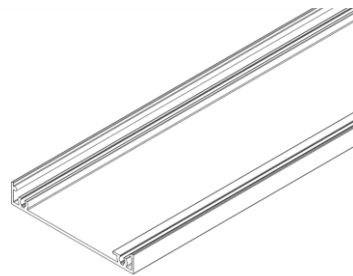
Recessed self tapping screw
G0000101

DIN 7982 Ø3.5 x 19

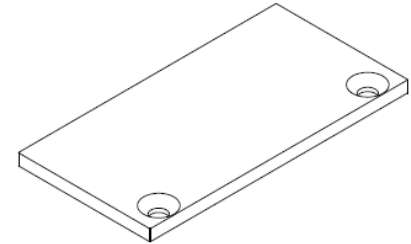


Screw for cover plates

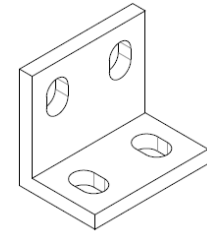
DucoSlide Barrier Slim 70 lid
P1810010



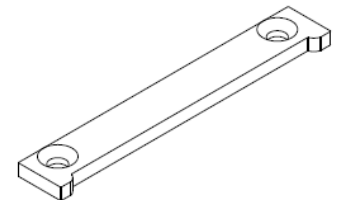
Cover plate Lux 35/70
G0120037



Duco Barrier Load Louvre fixing bracket
T1121520



Cover plate Slim 11/70
G0120036



Duco Barrier Load Louvre is available in several variants:

1. Frame

- Slimframe
- Luxframe

2. Louvre corner

- 3°
- 45°
- 55°

3. Fitting

- Mounting directly on frame
- Mounting on the four corners

FRAME	FITTING	PAGE
Slimframe	On frame	7
Luxframe	On frame	8
Slimframe	At four corners	9
Luxframe	At four corners	10

4

Assembly on frame

When mounted on frame:

- Luxframe & Slimframe
Mounting always max 200 mm apart

- Aluminium frame
 - Wall thickness min. 1.8 mm
 - M5.5 self-tapping screw
 - Tightening torque max 5-6Nm

- PVC Frame
 - M5.5 self-tapping screw through steel reinforcement of min. 1.5 mm (pre-drill $\varnothing 4$)

- Screw at least 9 mm longer than distance to steel reinforcement

- Tightening torque max 4 Nm

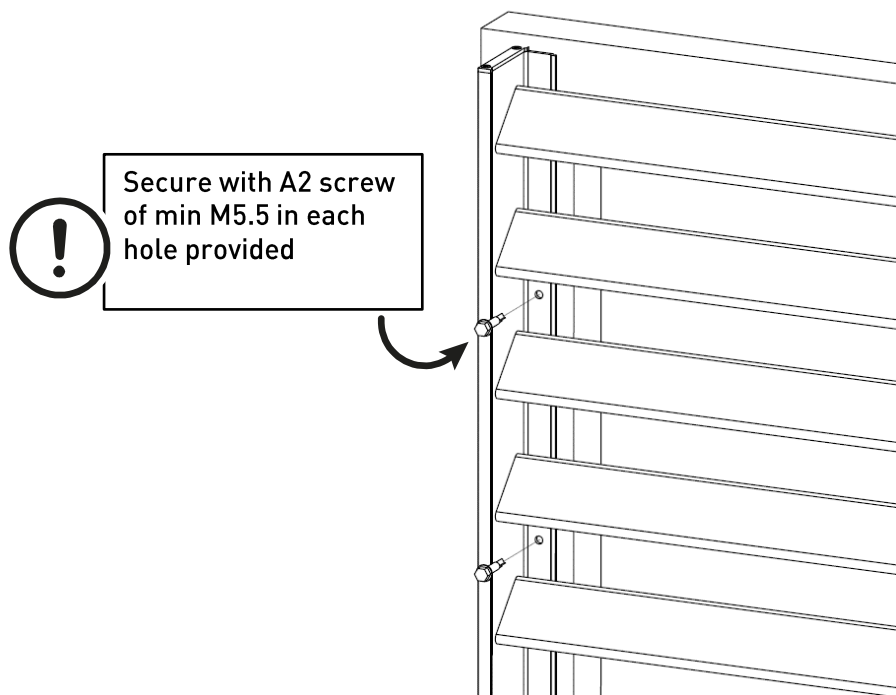
- Wooden frame
 - Minimum wood screw 5x60 or
 - Pull-out force per screw > 2700N



Secure with A2 screw in each hole provided. Silicone dip the screws when mounting in alu and pvc frames to prevent water seepage

4 Fitting of Slimframe - on frame

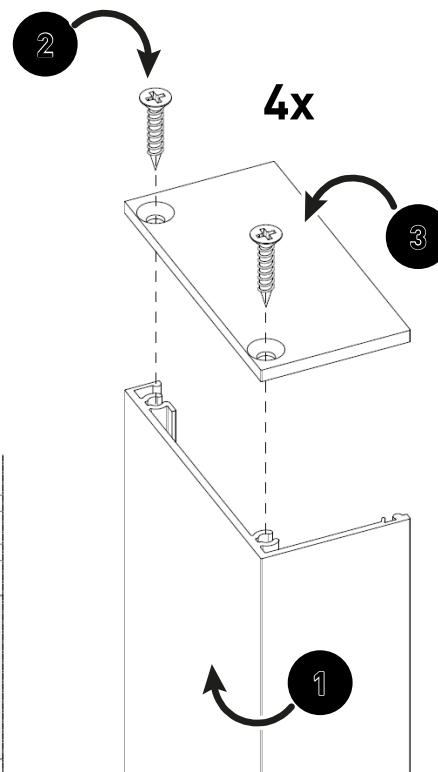
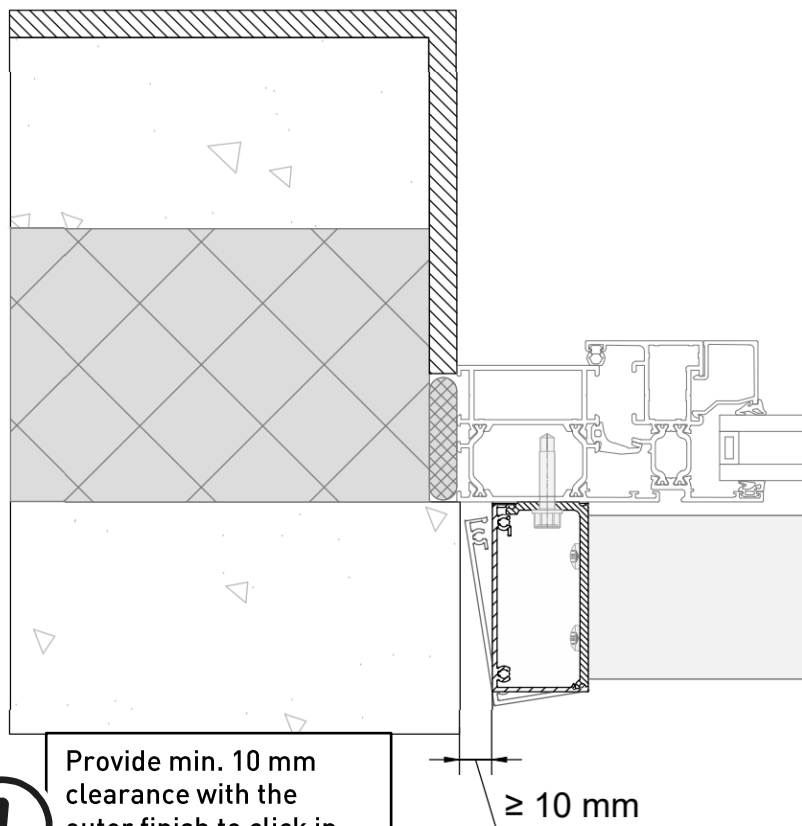
Slimframe



Fixing material is to be provided by fitter depending on the substrate into which the screws are placed. If screwed into a PVC frame, screw through the steel reinforcement.

4 Fitting of Luxframe – on frame

Luxframe



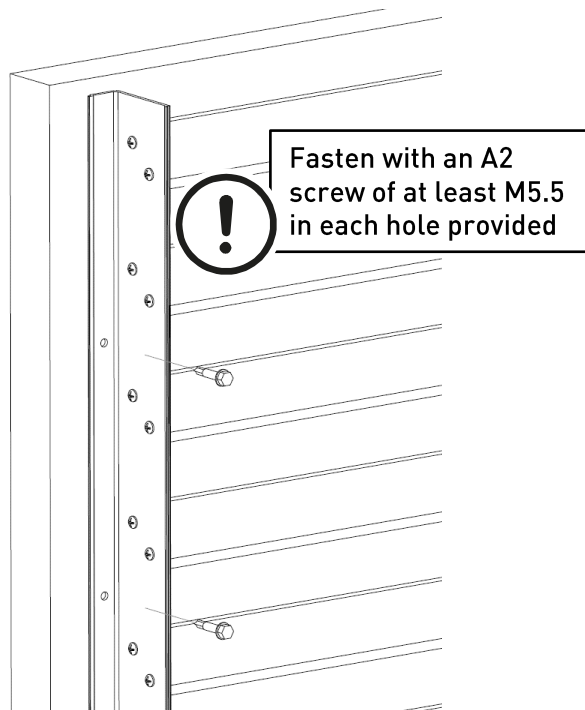
parts		
1	Lux 70 lid P1820010	x2
2	Cover plate Lux 70 G0120037	x4
3	G0000101	x8

Fit the cover plates before clicking in

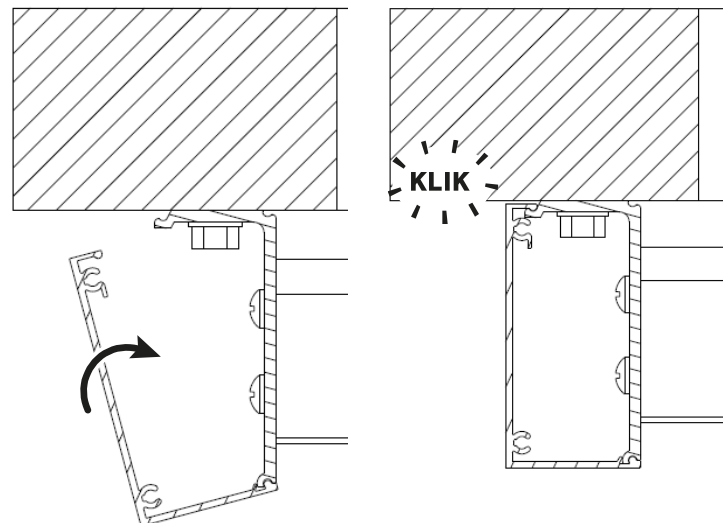
4

Fitting of Luxframe – on frame

Luxframe



Fasteners must be provided by the installer depending on the surface to be screwed into. If screwing into a PVC frame, screws must be screwed through the steel reinforcement.



onderdelen

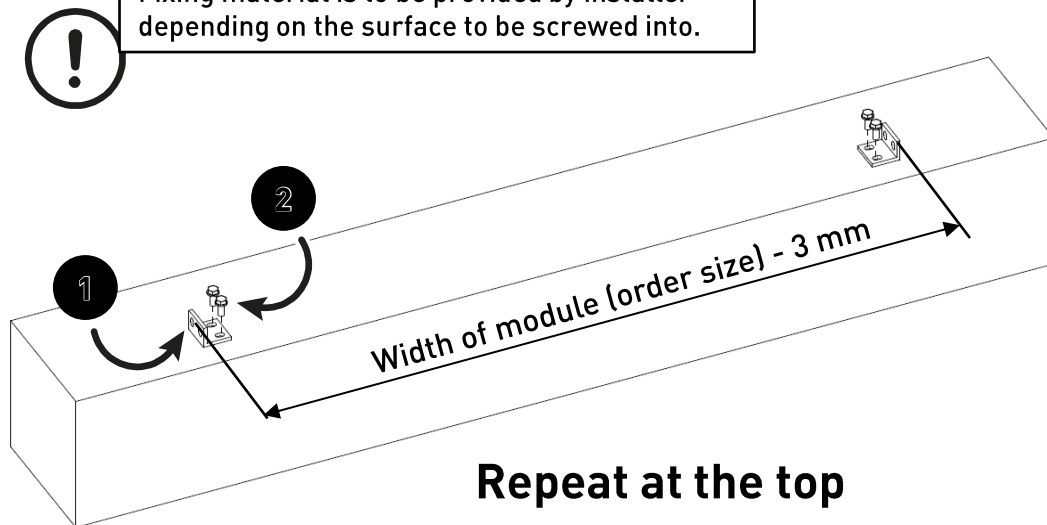
1	Lux 70 cover P1820010	x2
2	Cover plate Lux 70 G0120037	x4
3	G0000101	x8

5 Fitting Slimframe – at four corners

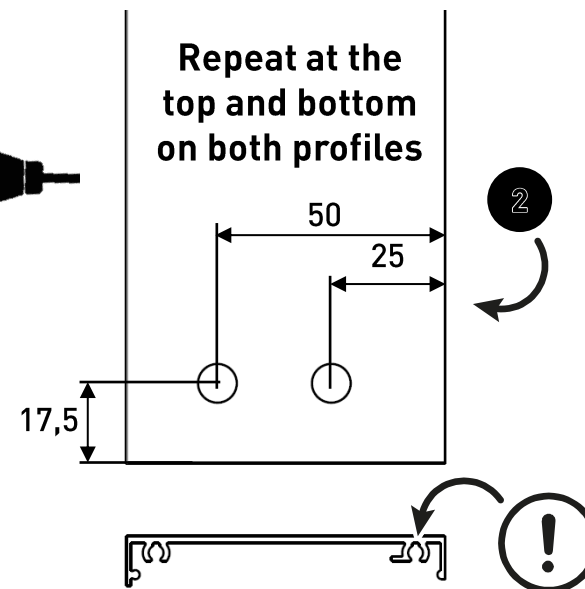
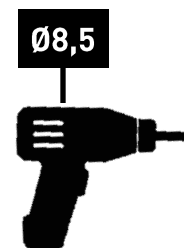
1. Mount mounting brackets on the structure behind (do not fully tighten them yet) - L brackets with longest side on structure behind
2. Drill fixing holes in cover profile
3. Positioning the module over the brackets
4. Clicking in the cover profile
5. Bolting through cover - mounting bracket - module

Parts		
1	Mounting bracket P1820010	x4
2	Mounting-material M8 (at the borne by the installer)	X8
3	Slim 70 cover profile P1810010	x2

Fixing material is to be provided by installer depending on the surface to be screwed into.

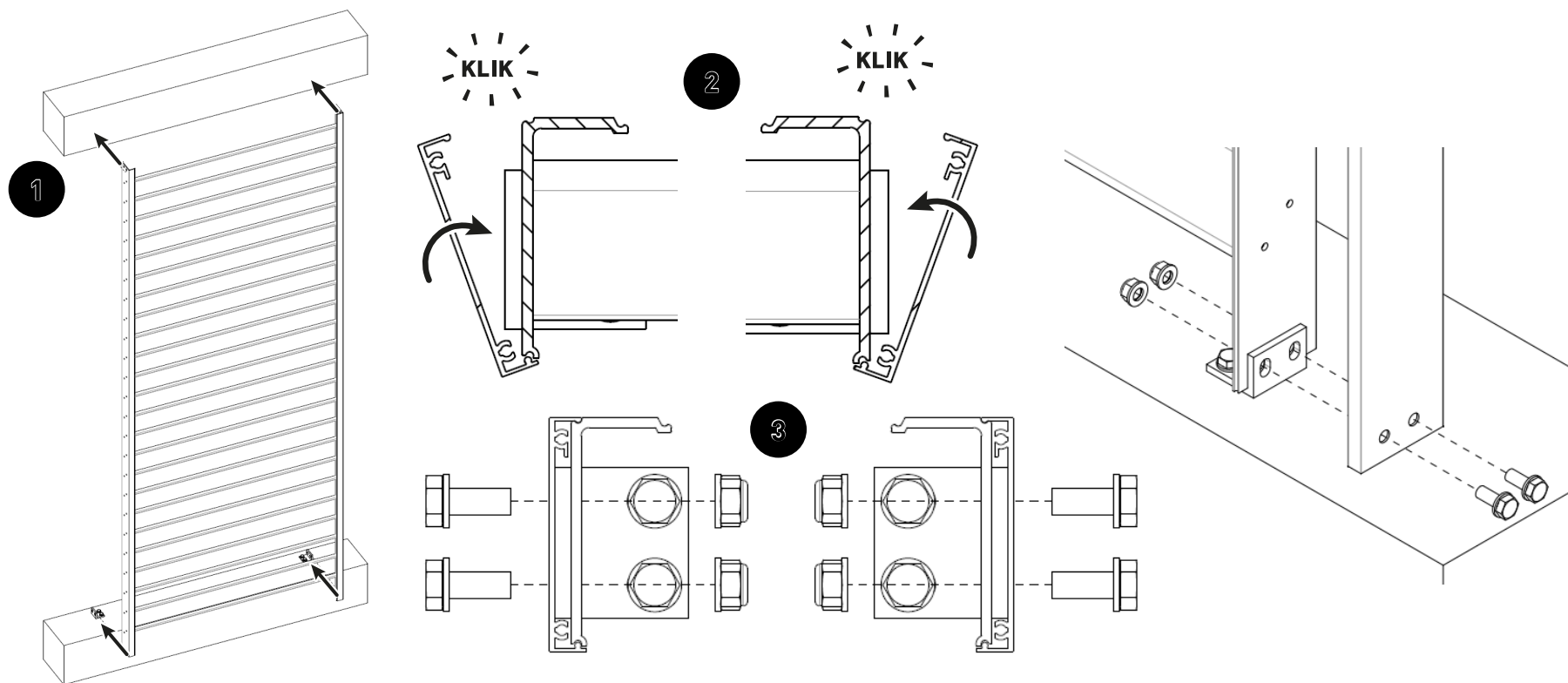


Repeat at the top



Repeat at the top and bottom on both profiles

1. Install the mounting brackets on the underlying structure
2. Drill mounting holes in lid profile
3. Install module over the brackets – ensure 5 mm clearance to the underlying structure
4. Click in lid profile
5. Lid through-bolts – mounting bracket – module with supplied material



5 Fitting Luxframe – at 4 corners

1. Install the brackets on the frame profile
2. Draw the holes for attachment using the holes in the brackets
3. Drill holes and attach the module with M8 A2 bolts
4. Click the lid profile P1820010 onto the side profile

