

HOME
OF
OXYGEN

Mounting instructions 'FireMax EW30 SR'

Installation dimensions

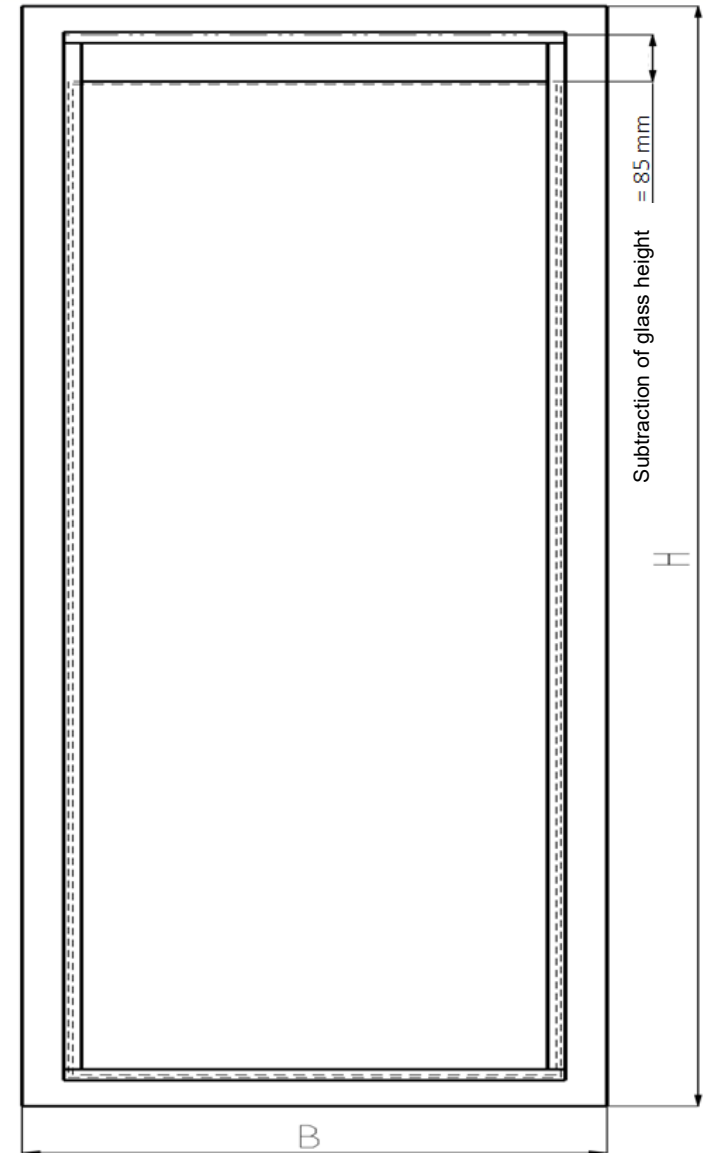
Maximum dimensions: see information on page 3.

The minimum overall size of the window ventilator is 300 mm.

The subtraction of glass height is 85 mm.

It should be installed in a wooden frame, with a minimum hardness of 500 kg/m³ and which is at least 30 min. fire resistant.

To mount the glass, follow the glass manufacturer's instructions.



Maximum dimensions

Vetrotech Contraflam Lite 30 ISO

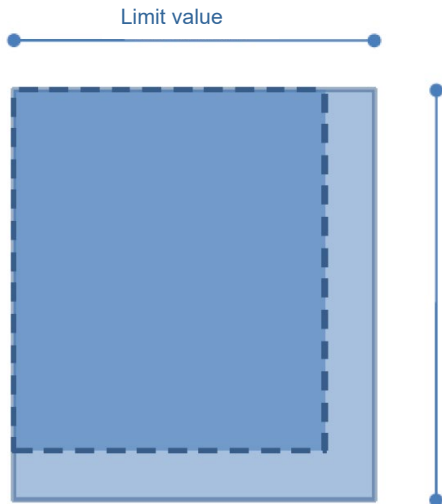
- Tested glass height: 3000 mm
- Tested glass width: 1500 mm
- Glass area: 4.5 m²



- Maximum glass height: 3600 mm
- Maximum glass width: 1500 mm
- Glass area: 5.4 m²
- Maximum glass height: 3000 mm
- Maximum glass width: 1800 mm
- Glass area: 5.4 m²



- Maximum glass height: 3600 mm
- Maximum glass width: 1800 mm
- Glass area: 6.4 m²



AGC Pyrobelite 9 EG

Setup 1

- Tested glass height: 3000 mm
- Tested glass width: 1000 mm
- Glass area: 3.0 m²



- Maximum glass height: 3600 mm
- Maximum glass width: 1000 mm
- Glass area: 3.6 m²
- Maximum glass height: 3000 mm
- Maximum glass width: 1200 mm
- Glass area: 3.6 m²



- Maximum glass height: 3600 mm
- Maximum glass width: 1200 mm
- Glass area: 4.3 m²

Setup 2

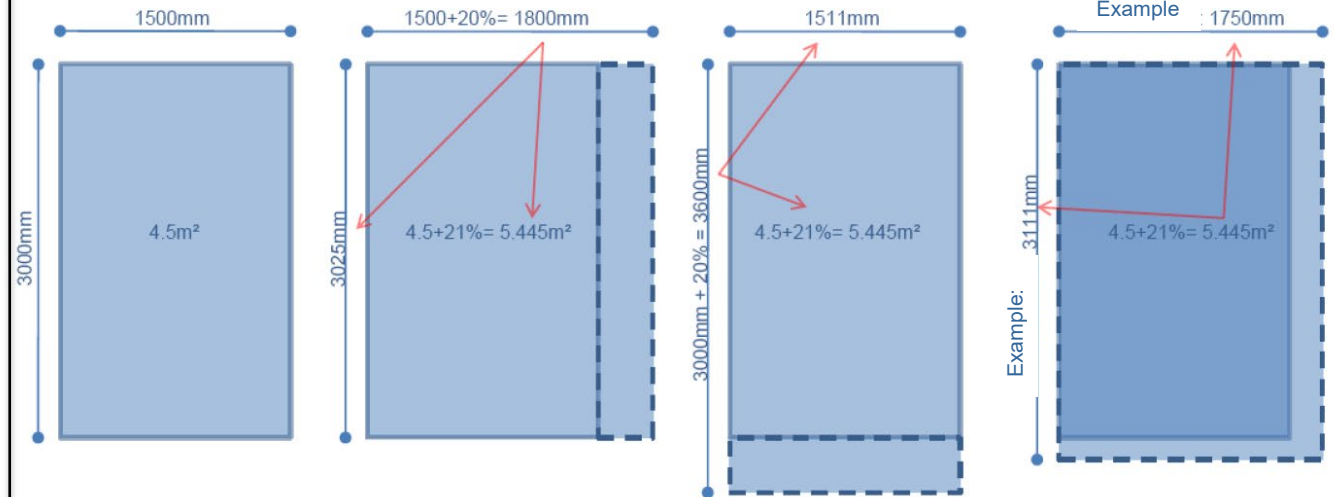
- Tested glass height: 1530 mm
- Tested glass width: 1847 mm
- Glass area: 2.8 m²



- Maximum glass height: 1836 mm
- Maximum glass width: 1847 mm
- Glass area: 3.3 m²
- Maximum glass height: 1530 mm
- Maximum glass width: 2216 mm
- Glass area: 3.3 m²



- Maximum glass height: 1836 mm
- Maximum glass width: 2216 mm
- Glass area: 4.1 m²



Maximum dimensions

Pyroguard-2 EW30/11-2VI

Maximum glass width : 1000 mm

Maximum glass height : 3240 mm

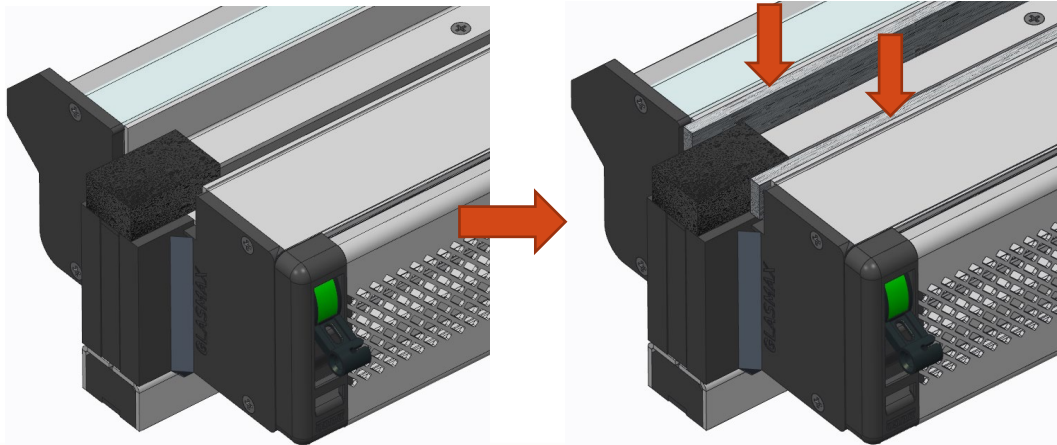
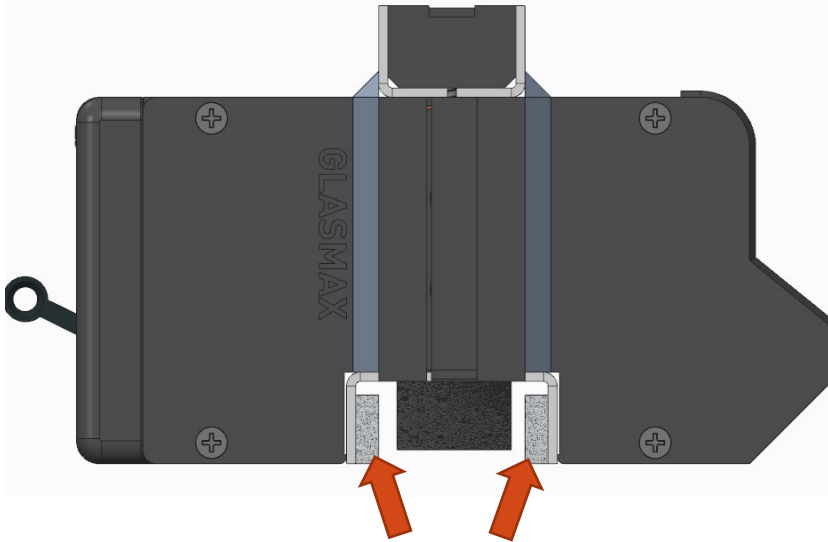
Pyroguard T-EW30/13-1 VI

Maximum glass width : 1500 mm

Maximum glass height : 3000 mm

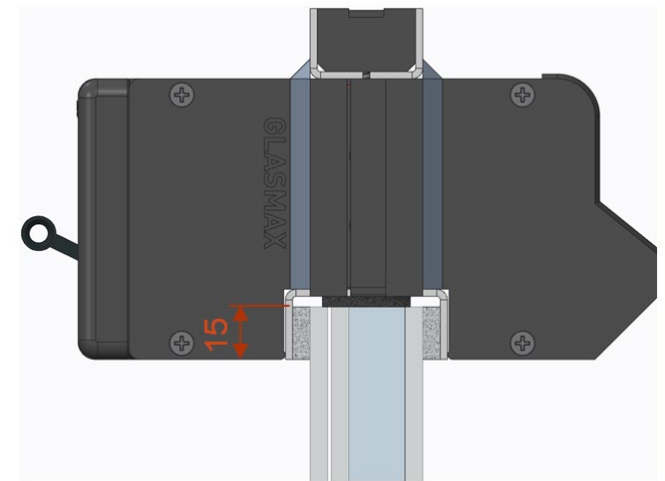
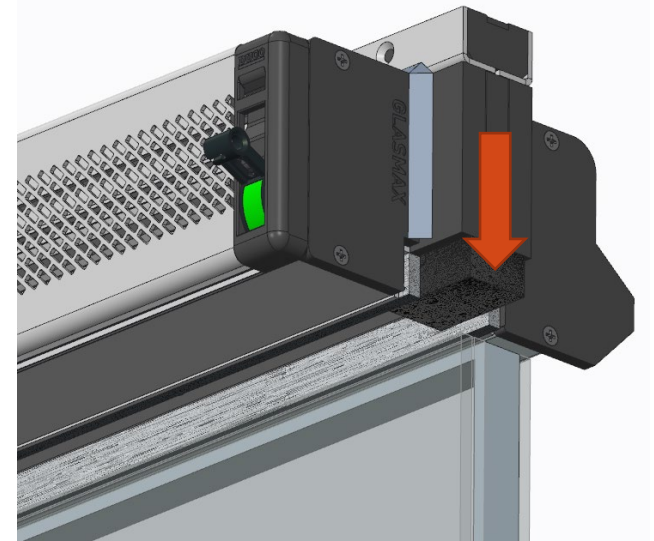
Preparation

- In the 'glass opening' of the FireMax, on both sides and over the entire length of the L-profiles, stick a ceramic Kerafix strip of 5 mm x 15 mm.



- Place the window ventilator on the glass and make sure that the ceramic strip stays in place.

Make sure the glass is 15mm inside the FireMax.
(You may want to mark L and R on the glass in advance)



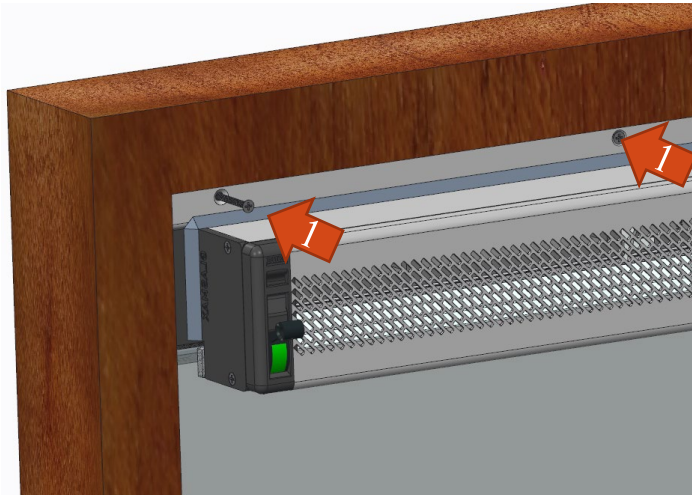
Mounting

- Prepare the frame and glazing bars, and assemble the FireMax with the glass according to the glass manufacturer's instructions.

For the FireMax section, there are 2 additional operations compared to the standard mounting.



1. After it has been set in the frame, screw the window ventilator into the rebate with a countersunk sheet metal screw 3.5 mm x 50 mm.



2. The top glazing bar cannot be screwed now, it must be fixed with a polymer glue (E.g. Tec 7, Soudal Fix all, Bison Polymax)

