

TECHNICAL DATA SHEET



Type	DucoGrille Close 105					
DESCRIPTION	Controllable air intake / flow / exhaust unit					
SHAPE OF BLADE	Reinforced HD PVC blades					
PITCH	91 mm					
FRAME DEPTH	105 mm					
FREE AREA (open)	805 l/s/m ² (@ 1 Pa)					
AIRTIGHTNESS (CLOSED)	Qn50 = 0,79 m ³ /h*m					
INSULATION VALUE	U = < 1 W/m ² K					
POSITIONS	Various possible positions (depending on choice of actuator)					
SOUND LEVEL ACTUATOR	35dB(A) - 45dB(A)					
MIN. DIMENSIONS	Length 258mm, Height 258mm (per mm). Depending on the width, see table below					
MAX DIMENSIONS	Width 3000mm, height 3000mm					
FUNCTIONAL TEMPERATURE	-25 up till +60°C					
FIRE RESISTANCE	Blades: V0 (flame retardant) in accordance with UL94, M1 - NFP 92-501 Extra possibilities in combination with fire resistance internal/external grille					
CONTROL	Motorised, (see schedule motors for the opti NM24A)					
MATERIAL	Aluminium : Al Mg Si 0,5 Thermoplastic parts : Blade HD PVC					
SURFACE TREATMENT	- polyester powder coated (60-80µm) according Qualicoat Seaside type A - specific RAL codes and/or textured paint on request					
VISUAL FREE AREA	74% (open)					
PHYSICAL FREE AREA	74% (open)					
AIR FLOW DATA	(EN13030)		standard			
	Ce		0,624			
	K-factor intake		2,57			
	Cd		0,624			
	K-factor exhaust		2,57			
WATER RESISTANCE	(EN13030)		standard			
	v = 0 m/s		not applicable			
	v = 0,5 m/s		not applicable			
	v = 1 m/s		not applicable			
	v = 1.5 m/s		not applicable			
	v = 2 m/s		not applicable			
	v = 2.5 m/s		not applicable			
	v = 3 m/s		not applicable			
	v = 3,5 m/s		not applicable			
ACOUSTIC SPECS	(open) Rw(C;C _{tr}) = 3(0;-1) dB			(close) Rw(C;C _{tr}) = 21(-2;-2) dB		
	125 Hz	250 Hz	500 Hz	1000 Hz	2000 Hz	4000 Hz
(open)	1,4 dB	2,4 dB	3,1 dB	2,2 dB	2,6 dB	2,7 dB
(close)	13,7 dB	14,6 dB	16,5 dB	20,9 dB	23,2 dB	29,3 dB
COOLING CAPACITY (per m ² in combination with exterior and interior grille)	type		airflow (l/s)	capacity (kW)		
	Single sided natural ventilation (ΔT=6K)		29,5	0,21		
	Cross flow natural ventilation (v=3m/s)		180,9	1,31		
	Stack natural ventilation (Δh=6m)		217	1,57		

D

D

C

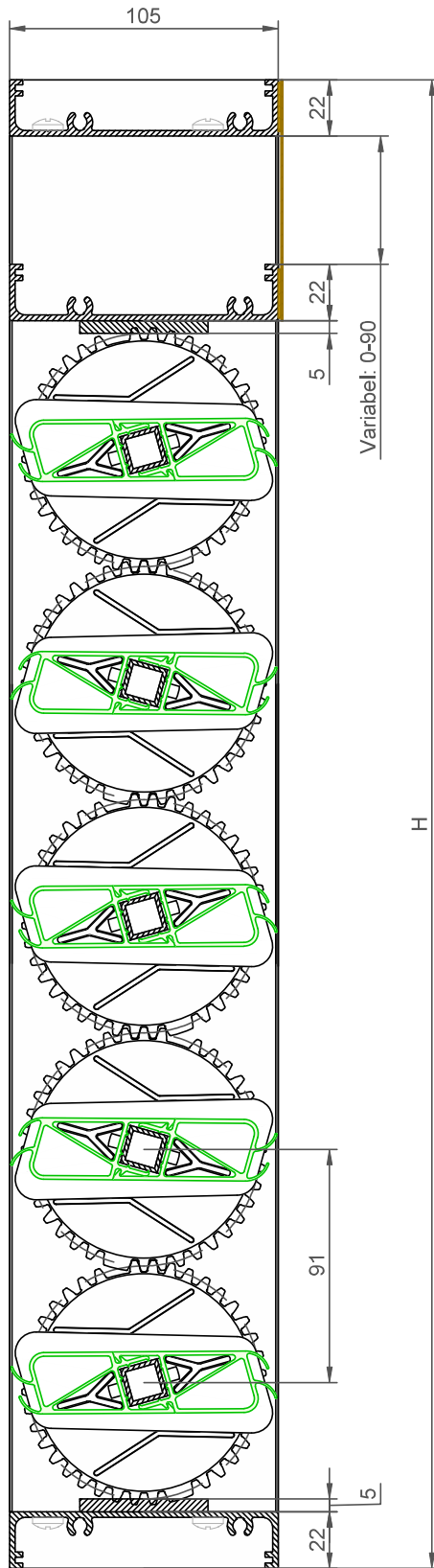
C

B

B

A

A



DucoGrille Close 105

Datum : 05/03/2024

Schaal : 1:2

DUCO
Ventilation & Sun Control

Bedrijvenlaan 2 - 8630 VEURNE
 tel. 0032-58/330066 - fax.0032-58/330067
 email: info@duco.eu www.duco.eu
 Deze tekening is eigendom van Duco Projects en mag niet gekopieerd
 noch getoond worden aan derden zonder schriftelijke toestemming

Tol. : ISO 2768-mK

Getekend : SVE/JHX/SDN

Mat. :

Ref nr. :

Formaat : A3



omtrek

gewicht

lakoppervl.

Tekening nr. :

mm

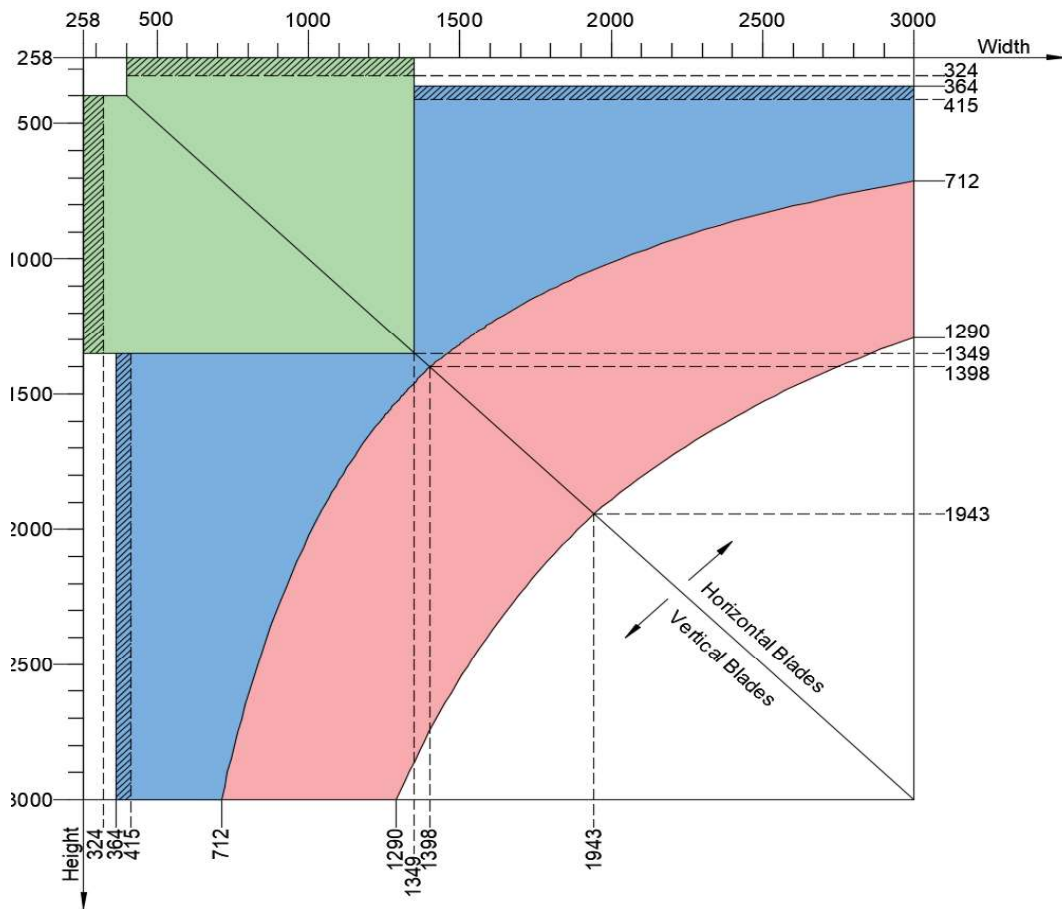
kg/m

dm²/m

DGC-105

Actuator label:

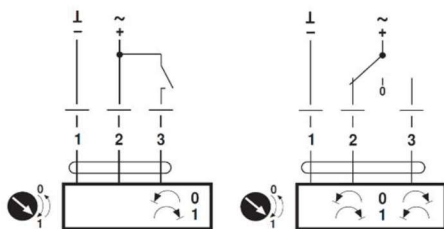
Motortype		Power supply		Art. Nr.
Regular	Time-Controlled	NM24A	3,5W - 0,15A - AC/DC 24V	G0100705
		NM230A	5,5W - 24mA - AC 230V	G0100763
	Modulating (0)2...10V	NM24A-SR	4,0W - 0,17A - AC/DC 24V	G0100728
		NM230ASR	6,5W - 28mA - AC 230V	G0100762
Communicative	NM24A-MOD	6,0W - 0,25 A - AC/DC 24V	G0100719	
Spring Return	Open-Close	NF24A	8,5W - 0,35A - AC/DC 24V	G0100718
		NFA	9,5W - 0,4A ... 40mA / 0,4A ... 76mA AC 24...240V / DC 24...125V	G0100764
	Modulating (0)2...10V	NF24A-SR	5,5W - 24mA - AC/DC 24V	G0100729



	No spring return actuator possible
	Side actuator
	Centered actuator
	Double actuator

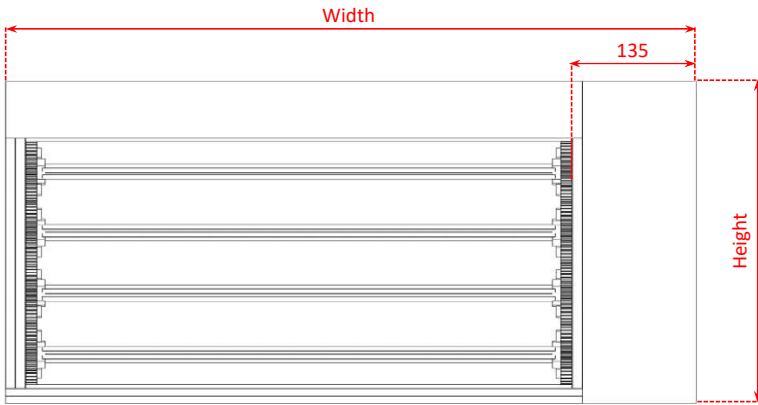
AC/DC 24 V, open-close

AC/DC 24 V, 3-point

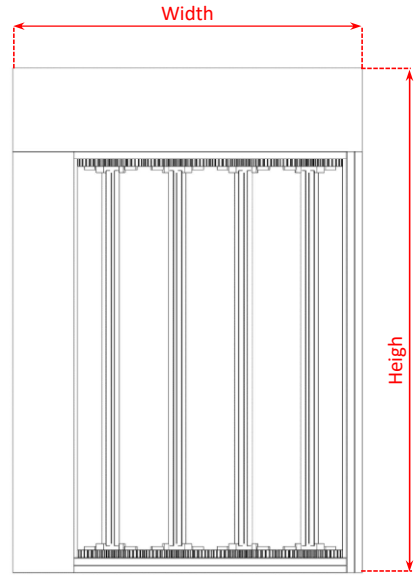


Cable colours:
1 = black
2 = red
3 = white

Optimal width	
(no infill compartment)	# blades
327 mm	3
418 mm	4
509 mm	5
600 mm	6
691 mm	7
782 mm	8
873 mm	9
964 mm	10
1055 mm	11
1146 mm	12
1237 mm	13
1328 mm	14
1419 mm	15
1510 mm	16
1601 mm	17

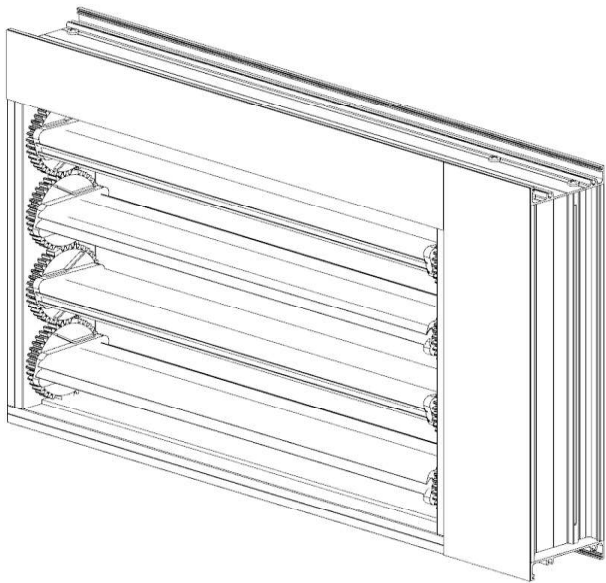
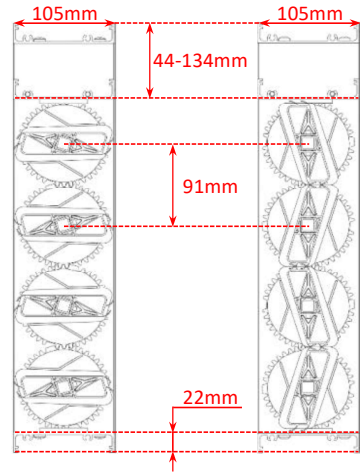


Side Actuator

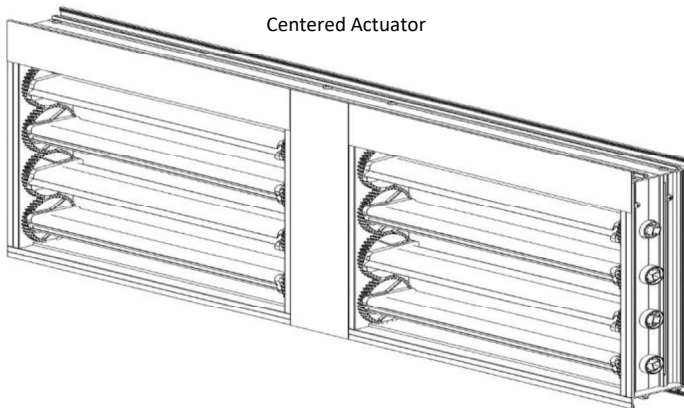


Doorsnede open

Doorsnede dicht



Centered Actuator



Double Actuator

