

# TECHNICAL DATA SHEET



Type	DucoGrille Solid G 30Z-P1	
DESCRIPTION	Louvre "build-in" wall grille	
SHAPE OF BLADE	30Z punched blades (P1) height 21mm x width 2,5mm	
PITCH	37,5 mm	
FRAME WIDTH	34 mm	
EQUAL LEG OUTER FRAME	18 mm	
FRAME DEPTH	38 mm	
MIN. DIMENSIONS	Width 200mm, Height 200mm. Exception on request.	
REACTION TO FIRE	A2-s1,d0 (EN13501-1)	
MESH	Aluminiumextrusions are perforated and act as insect mesh	
DRIP TRAY PROFILE	extra drip tray on the back of the frame possible as an option	
MATERIAL	Aluminium : EN AW-6063 T66 (EN 573-3) Profile thickness : min. 1,5mm	
SURFACE TREATMENT	<ul style="list-style-type: none"> <li>- standard aluminium anodised (15-20µm) according Qualanod</li> <li>- polyester powder coated (60-80µm) according Qualicoat Seaside type A</li> <li>- specific RAL codes and/or textured paint on request</li> </ul>	
VISUAL FREE AREA	60% per meter of punching	
PHYSICAL FREE AREA	34%	
AIR FLOW DATA	(EN13030)	standard
	Ce	0,243
	K-factor intake	16,94
	Cd	0,234
	K-factor exhaust	18,26
WATER RESISTANCE	(EN13030)	standard
	v = 0 m/s	B
	v = 0,5 m/s	C
	v = 1 m/s	C
	v = 1.5 m/s	D
	v = 2 m/s	D
	v = 2.5 m/s	D
	v = 3 m/s	D
v = 3,5 m/s	D	
FALL-TROUGH PROTECTION	BS6180	Class X

3

2

1

D

D

C

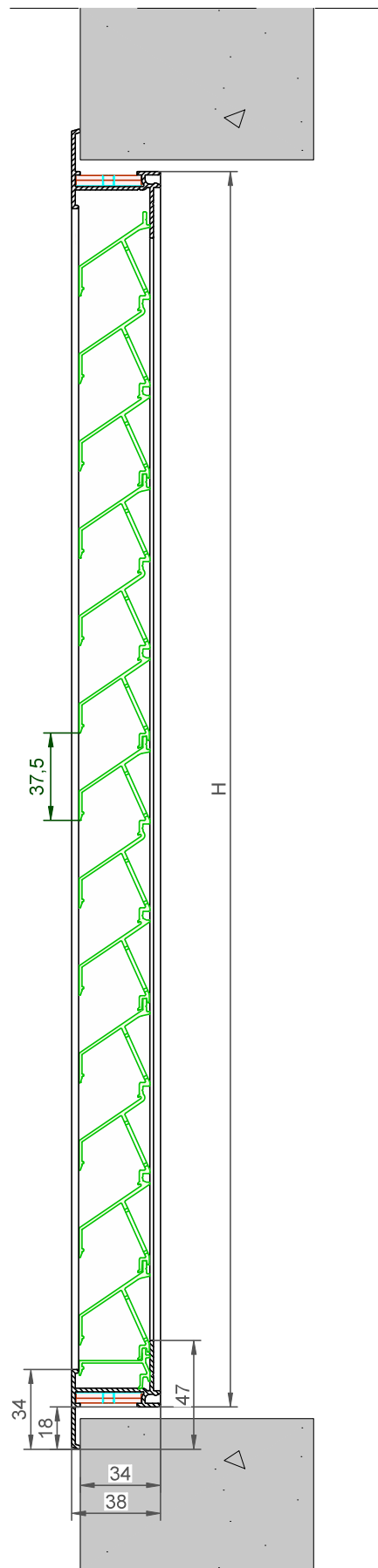
C

B

B

A

A

DucoGrille Solid **G30Z - P1**

Datum : 23/03/2023

Schaal : 1:2

**DUCO**  
Ventilation & Sun Control

Bedrijvenlaan 2 - 8630 VEURNE  
tel. 0032-58/330066 - fax.0032-58/330067  
email: info@duco.eu www.duco.eu  
Deze tekening is eigendom van Duco Projects en mag niet gekopieerd  
noch getoond worden aan derden zonder schriftelijke toestemming

Tol. : ISO 2768-mK

Getekend : SDN/JHX

Mat. :

Ref nr. :

Formaat : A3



omtrek

gewicht

lakoppervl.

Tekening nr. :

mm

kg/m

dm²/m

**DGS-G30Z-P1**

3

2

1