

|                              |  |           |                         |                           |                        |                           |                        |              |                              |                                       |                        |              |  |                               |
|------------------------------|--|-----------|-------------------------|---------------------------|------------------------|---------------------------|------------------------|--------------|------------------------------|---------------------------------------|------------------------|--------------|--|-------------------------------|
| Type                         | <b>DucoWall Classic W 50HP</b>   |           |                         |                           |                        |                           |                        |              |                              |                                       |                        |              |  |                               |
| BESCHRIJVING                 | Lamellenwand   |           |                         |                           |                        |                           |                        |              |                              |                                       |                        |              |  |                               |
| VORM LAMEL                   | 50HP   |           |                         |                           |                        |                           |                        |              |                              |                                       |                        |              |  |                               |
| LAMELSTAP                    | 50 mm  |           |                         |                           |                        |                           |                        |              |                              |                                       |                        |              |  |                               |
| LAMELHOOGTE                  | 50 mm  |           |                         |                           |                        |                           |                        |              |                              |                                       |                        |              |  |                               |
| LAMEL DIEPTE                 | 56 mm  |           |                         |                           |                        |                           |                        |              |                              |                                       |                        |              |  |                               |
| INBOUW DIEPTE                | <table border="0"> <tr> <td>met draagprofiel 50/125</td> <td>181 mm</td> </tr> <tr> <td>met draagprofiel 50/50</td> <td>106 mm</td> </tr> <tr> <td>met draagprofiel 50/12</td> <td>68 mm</td> </tr> <tr> <td>met draagprofiel 21/50 MULTI</td> <td>106 mm</td> </tr> <tr> <td>met draagprofiel 30/12</td> <td>68 mm</td> </tr> </table>  |           | met draagprofiel 50/125 | 181 mm                    | met draagprofiel 50/50 | 106 mm                    | met draagprofiel 50/12 | 68 mm        | met draagprofiel 21/50 MULTI | 106 mm                                | met draagprofiel 30/12 | 68 mm        |  |                               |
| met draagprofiel 50/125      | 181 mm   |           |                         |                           |                        |                           |                        |              |                              |                                       |                        |              |  |                               |
| met draagprofiel 50/50       | 106 mm   |           |                         |                           |                        |                           |                        |              |                              |                                       |                        |              |  |                               |
| met draagprofiel 50/12       | 68 mm  |           |                         |                           |                        |                           |                        |              |                              |                                       |                        |              |  |                               |
| met draagprofiel 21/50 MULTI | 106 mm   |           |                         |                           |                        |                           |                        |              |                              |                                       |                        |              |  |                               |
| met draagprofiel 30/12       | 68 mm  |           |                         |                           |                        |                           |                        |              |                              |                                       |                        |              |  |                               |
| MAX. LENGTE LAMEL            | 6000 mm  |           |                         |                           |                        |                           |                        |              |                              |                                       |                        |              |  |                               |
| MAX. OVERSPANNING            | 1100mm @ 800Pa   |           |                         |                           |                        |                           |                        |              |                              |                                       |                        |              |  |                               |
| STARTMAAT                    | 19 mm  |           |                         |                           |                        |                           |                        |              |                              |                                       |                        |              |  |                               |
| BRANDREACTIE                 | Indien uitvoering met kunststoffen lamelhouders: D-s2,d0 (EN13501-1)<br>Indien uitvoering met Metalen lamelhouders: A2-s1,d0 (EN13501-1)   |           |                         |                           |                        |                           |                        |              |                              |                                       |                        |              |  |                               |
| WERING                       | standaard zonder gaaskader   |           |                         |                           |                        |                           |                        |              |                              |                                       |                        |              |  |                               |
| MATERIAAL                    | <table border="0"> <tr> <td>Aluminium :</td> <td>EN AW-6063 T66 (EN 573-3)</td> </tr> <tr> <td></td> <td>Profieldikte : min. 1,5mm</td> </tr> <tr> <td>Kunststof onderdelen:</td> <td>Lamelhouders</td> </tr> <tr> <td></td> <td>Polyamide PA 6.6 - glasvezelversterkt</td> </tr> <tr> <td>Metalen onderdelen:</td> <td>Lamelhouders</td> </tr> <tr> <td></td> <td>Zamak Electrophoresis gezwart</td> </tr> </table> |           | Aluminium :             | EN AW-6063 T66 (EN 573-3) |                        | Profieldikte : min. 1,5mm | Kunststof onderdelen:  | Lamelhouders |                              | Polyamide PA 6.6 - glasvezelversterkt | Metalen onderdelen:    | Lamelhouders |  | Zamak Electrophoresis gezwart |
| Aluminium :                  | EN AW-6063 T66 (EN 573-3)  |           |                         |                           |                        |                           |                        |              |                              |                                       |                        |              |  |                               |
|                              | Profieldikte : min. 1,5mm  |           |                         |                           |                        |                           |                        |              |                              |                                       |                        |              |  |                               |
| Kunststof onderdelen:        | Lamelhouders   |           |                         |                           |                        |                           |                        |              |                              |                                       |                        |              |  |                               |
|                              | Polyamide PA 6.6 - glasvezelversterkt  |           |                         |                           |                        |                           |                        |              |                              |                                       |                        |              |  |                               |
| Metalen onderdelen:          | Lamelhouders   |           |                         |                           |                        |                           |                        |              |                              |                                       |                        |              |  |                               |
|                              | Zamak Electrophoresis gezwart  |           |                         |                           |                        |                           |                        |              |                              |                                       |                        |              |  |                               |
| OPPERVLAKTE BEHANDELING      | - naturel geanodiseerd (15-20µm) volgens Qualanod<br>- gemoffeld polyester poedercoating (60-80µm) volgens Qualicoat Seaside type A<br>- specifieke RAL codes en/of structuurlak op aanvraag   |           |                         |                           |                        |                           |                        |              |                              |                                       |                        |              |  |                               |
| VISUELE VRIJE DOORLAAT       | 88%  |           |                         |                           |                        |                           |                        |              |                              |                                       |                        |              |  |                               |
| FYSISCHE VRIJE DOORLAAT      | 68%  |           |                         |                           |                        |                           |                        |              |                              |                                       |                        |              |  |                               |
| DOORLAAT GEGEVENS            | (EN13030)  | standaard |                         |                           |                        |                           |                        |              |                              |                                       |                        |              |  |                               |
|                              | Ce   | 0,358     |                         |                           |                        |                           |                        |              |                              |                                       |                        |              |  |                               |
|                              | K-factor aanzuig   | 7,80      |                         |                           |                        |                           |                        |              |                              |                                       |                        |              |  |                               |
|                              | Cd   | 0,439     |                         |                           |                        |                           |                        |              |                              |                                       |                        |              |  |                               |
|                              | K-factor uitblaas  | 5,19      |                         |                           |                        |                           |                        |              |                              |                                       |                        |              |  |                               |
| WATERWERENDHEID              | (EN13030)  | standaard |                         |                           |                        |                           |                        |              |                              |                                       |                        |              |  |                               |
|                              | v = 0 m/s  | C         |                         |                           |                        |                           |                        |              |                              |                                       |                        |              |  |                               |
|                              | v =0,5 m/s   | C         |                         |                           |                        |                           |                        |              |                              |                                       |                        |              |  |                               |
|                              | v = 1 m/s  | C         |                         |                           |                        |                           |                        |              |                              |                                       |                        |              |  |                               |
|                              | v = 1.5 m/s  | D         |                         |                           |                        |                           |                        |              |                              |                                       |                        |              |  |                               |
|                              | v = 2 m/s  | D         |                         |                           |                        |                           |                        |              |                              |                                       |                        |              |  |                               |
|                              | v = 2.5 m/s  | D         |                         |                           |                        |                           |                        |              |                              |                                       |                        |              |  |                               |
|                              | v = 3 m/s  | D         |                         |                           |                        |                           |                        |              |                              |                                       |                        |              |  |                               |
|                              | v = 3,5 m/s  | D         |                         |                           |                        |                           |                        |              |                              |                                       |                        |              |  |                               |

3

2

1

D

D

C

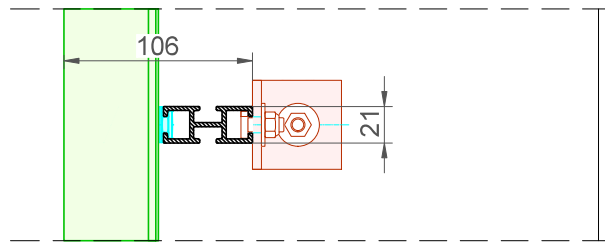
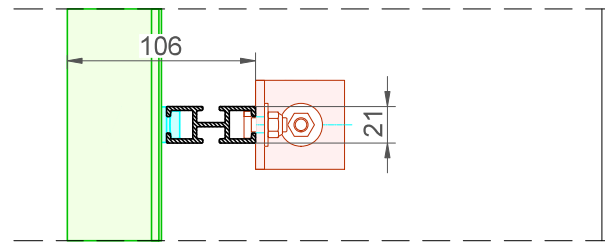
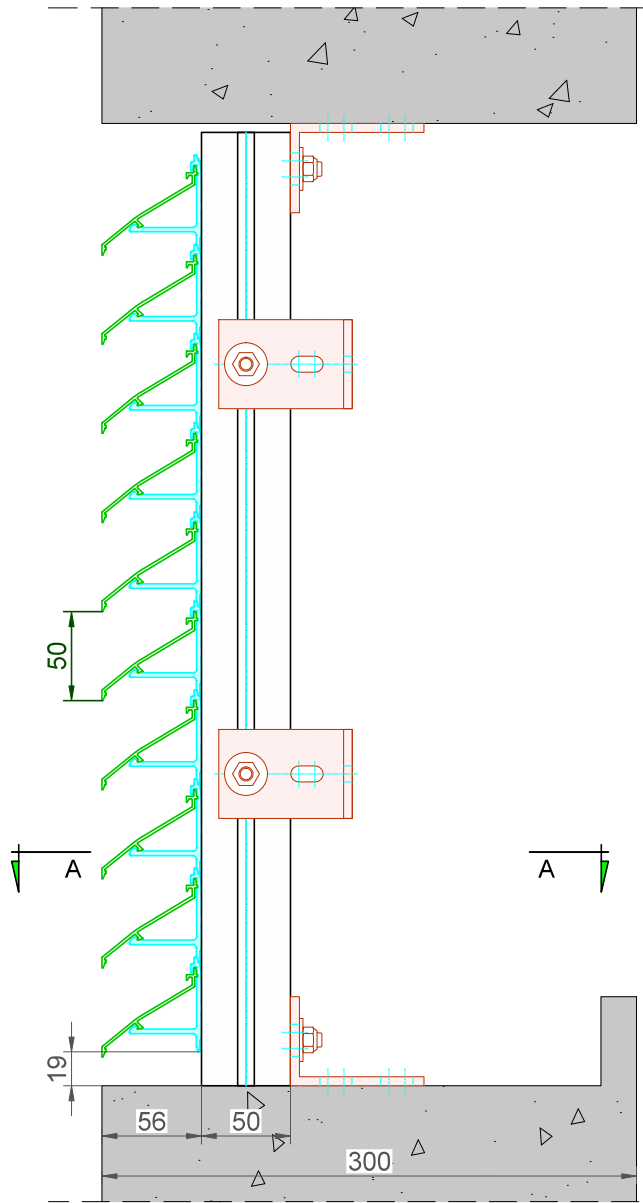
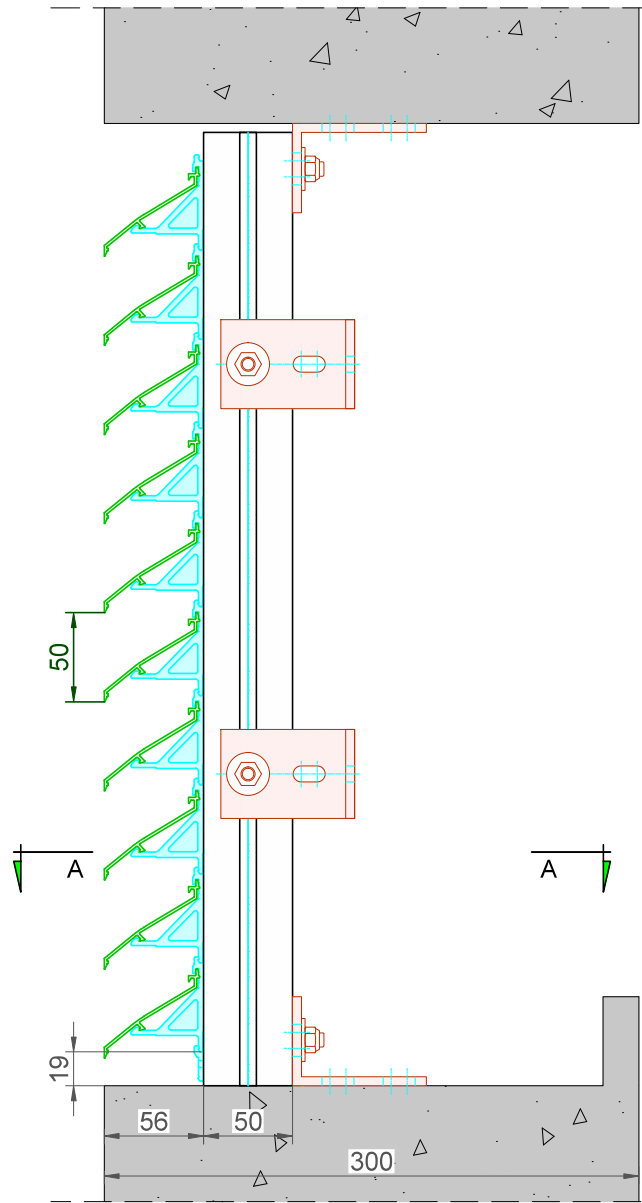
C

B

B

A

A



Available with : • Standard plastic clip (left)  
 • Metal clip (right)

Without sill, no top blade available

|  |         |                    |   |
|--|---------|--------------------|---|
| DucoWall Classic <b>50HP</b> Draagprofiel 21/50 Multi  |         |                    | Datum : 01/03/2023                              |
|  |         |                    | Schaal : 1:3                                    |
| <b>DUCO</b>  |         | Tol. : ISO 2768-mK | Getekend : LNT/JHX                              |
| Ventilation & Sun Control  |         | Mat. :             | Ref nr. :                                       |
| Bedrijvenlaan 2 - 8630 VEURNE<br>tel. 0032-58/330066 - fax.0032-58/330067<br>email: info@duco.eu www.duco.eu |         | Formaat : A3       | Tekening nr. :<br>DWClassic-50HP DP 21/50 Multi |
| omtrek   | gewicht | lakoppervl.        |   |
| mm   | kg/m    | dm²/m              |   |

3

2

1