

TECHNICAL DATA SHEET



Type	DucoWall Classic W 60C/2	
DESCRIPTION	Continuous louvre wall	
SHAPE OF BLADE	60C	
PITCH	50 mm	
BLADE HEIGHT	54 mm	
BLADE DEPTH	77 mm	
INSTALLATION DEPTH	with mullion 50/125	202 mm
	with mullion 50/50	127 mm
MAX. BLADE LENGTH	6000 mm	
MAX. SPAN	1270 mm @ 800Pa	
STARTING DIMENSION	34,5 mm	
MESH	standard without insectmesh frame	
MATERIAL	Aluminium : 3005 H18 Profile thickness : 0,8mm Thermoplastic parts : Clips Polyamide PA 6,6 -reinforced with glass fibre	
SURFACE TREATMENT	- standard aluminium anodised (15-20µm) according Qualanod - polyester powder coated (60-80µm) according Qualicoat Seaside type A - specific RAL codes and/or textured paint on request	
VISUAL FREE AREA	84%	
PHYSICAL FREE AREA	36%	
AIR FLOW DATA	(EN13030)	standard
	Ce	0,208
	K-factor intake	23,11
	Cd	0,196
	K-factor exhaust	26,03
WATER RESISTANCE	(EN13030)	standard
	v = 0 m/s	A
	v = 0,5 m/s	A
	v = 1 m/s	B
	v = 1.5 m/s	C
	v = 2 m/s	C
	v = 2,5 m/s	C
	v = 3 m/s	D
	v = 3,5 m/s	D

3

2

1

D

D

C

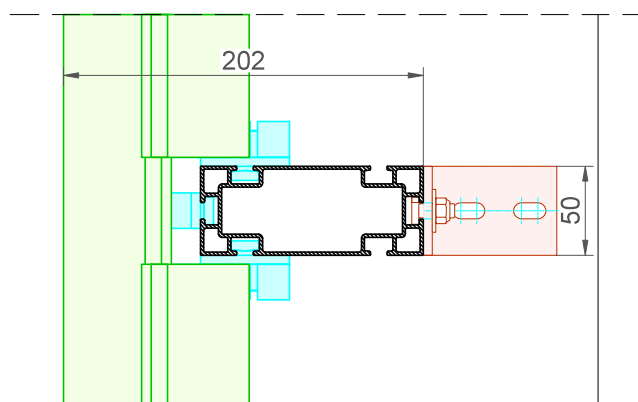
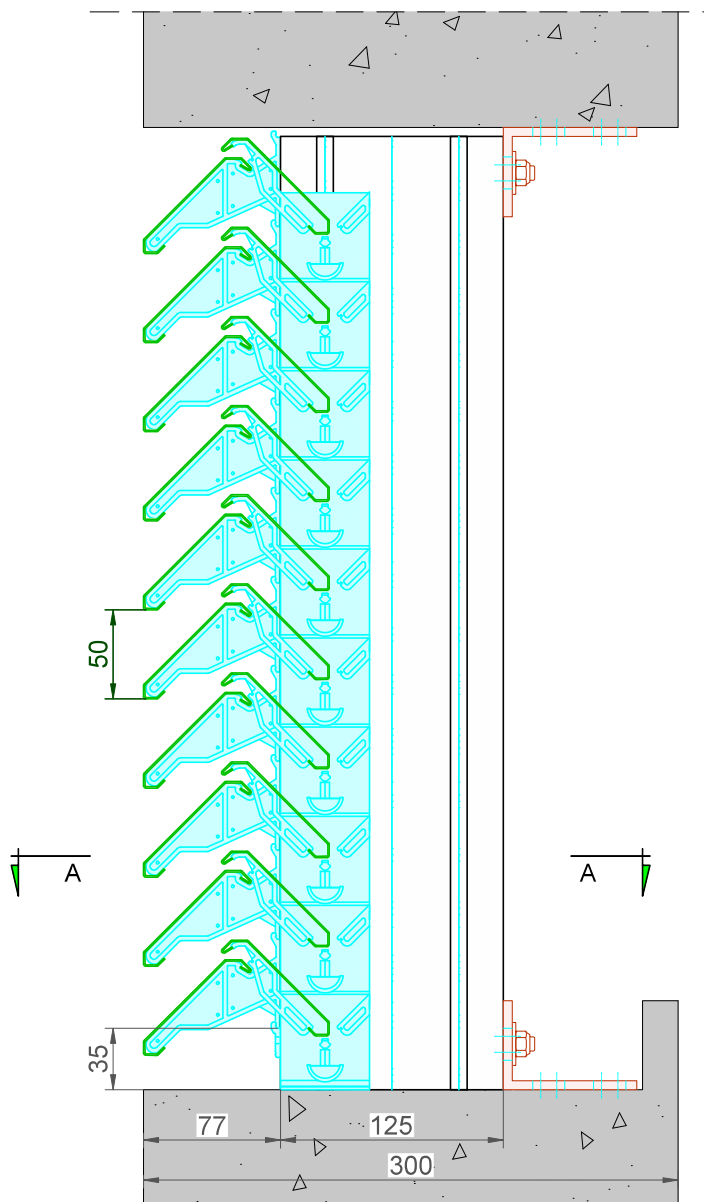
C

B

B

A

A



DucoWall Classic **60C/2** Draagprofiel 50/125

Datum : 20/02/2023

Schaal : 1:3

DUCO
Ventilation & Sun Control

Bedrijvenlaan 2 - 8630 VEURNE
tel. 0032-58/330066 - fax.0032-58/330067
email: info@duco.eu www.duco.eu

Deze tekening is eigendom van Duco Projects en mag niet gekopieerd
noch getoond worden aan derden zonder schriftelijke toestemming

Tol. : ISO 2768-mK

Getekend : SVE/JHX

Mat. :

Ref nr. :

Formaat : A3



omtrek

gewicht

lakoppervl.

Tekening nr. :

DWClassic-60C/2 DP 50/125

mm

kg/m

dm²/m

Zonder dorpel, geen toplamel beschikbaar

3

2

1