

# TECHNICAL DATA SHEET



Type	DucoGrille Classic G 130HP basic																			
<b>DESCRIPTION</b>	Louvre "build-in" wall grille, high water resistance, high airflow																			
<b>SHAPE OF BLADE</b>	130HP																			
<b>PITCH</b>	50 mm																			
<b>FRAME WIDTH</b>	60 mm																			
<b>EQUAL LEG OUTER FRAME</b>	48 mm																			
<b>FRAME DEPTH</b>	165 mm																			
<b>MIN. DIMENSIONS</b>	Width 250mm, Height 250mm. Exception on request.																			
<b>REACTION TO FIRE</b>	If version with standard plastic clips : D-s2,d0 (EN13501-1) If version with metal clips (optional) : A2-s1,d0 (EN 13501-1)																			
<b>MESH</b>	<ul style="list-style-type: none"> <li>- standard with insectmesh 2.3 x 2.3 mm</li> <li>- optional without mesh</li> <li>- optional with bird mesh 6 x 6 mm</li> <li>- optional with bird mesh 20 x 20 mm</li> </ul>																			
<b>DRIP TRAY PROFILE</b>	drip tray integrated in the frame profile, drainage via frame profile																			
<b>MATERIAL</b>	Aluminium : EN AW-6063 T66 (EN 573-3) Profile thickness : min. 1,5mm Thermoplastic parts : Clips Polyamide PA 6,6 -reinforced with glass fibre Metal parts : Clips Zamak Electrophoresis blackened																			
<b>SURFACE TREATMENT</b>	<ul style="list-style-type: none"> <li>- standard aluminium anodised (15-20µm) according Qualanod</li> <li>- polyester powder coated (60-80µm) according Qualicoat Seaside type A</li> <li>- specific RAL codes and/or textured paint on request</li> </ul>																			
<b>VISUAL FREE AREA</b>	88%																			
<b>PHYSICAL FREE AREA</b>	70%																			
<b>AIR FLOW DATA</b>	<table border="1" style="width: 100%; border-collapse: collapse;"> <thead> <tr> <th style="background-color: #eee;">(EN13030)</th> <th style="background-color: #eee;">standard</th> </tr> </thead> <tbody> <tr> <td>Ce</td> <td>0,321</td> </tr> <tr> <td>K-factor intake</td> <td>9,70</td> </tr> <tr> <td>Cd</td> <td>0,276</td> </tr> <tr> <td>K-factor exhaust</td> <td>13,13</td> </tr> </tbody> </table>		(EN13030)	standard	Ce	0,321	K-factor intake	9,70	Cd	0,276	K-factor exhaust	13,13								
(EN13030)	standard																			
Ce	0,321																			
K-factor intake	9,70																			
Cd	0,276																			
K-factor exhaust	13,13																			
<b>WATER RESISTANCE</b>	<table border="1" style="width: 100%; border-collapse: collapse;"> <thead> <tr> <th style="background-color: #eee;">(EN13030)</th> <th style="background-color: #eee;">standard</th> </tr> </thead> <tbody> <tr> <td>v = 0 m/s</td> <td>A</td> </tr> <tr> <td>v =0,5 m/s</td> <td>A</td> </tr> <tr> <td>v = 1 m/s</td> <td>A</td> </tr> <tr> <td>v = 1.5 m/s</td> <td>B</td> </tr> <tr> <td>v = 2 m/s</td> <td>B</td> </tr> <tr> <td>v = 2.5 m/s</td> <td>C</td> </tr> <tr> <td>v = 3 m/s</td> <td>D</td> </tr> <tr> <td>v = 3,5 m/s</td> <td>D</td> </tr> </tbody> </table>		(EN13030)	standard	v = 0 m/s	A	v =0,5 m/s	A	v = 1 m/s	A	v = 1.5 m/s	B	v = 2 m/s	B	v = 2.5 m/s	C	v = 3 m/s	D	v = 3,5 m/s	D
(EN13030)	standard																			
v = 0 m/s	A																			
v =0,5 m/s	A																			
v = 1 m/s	A																			
v = 1.5 m/s	B																			
v = 2 m/s	B																			
v = 2.5 m/s	C																			
v = 3 m/s	D																			
v = 3,5 m/s	D																			

3

2

1

D

D

C

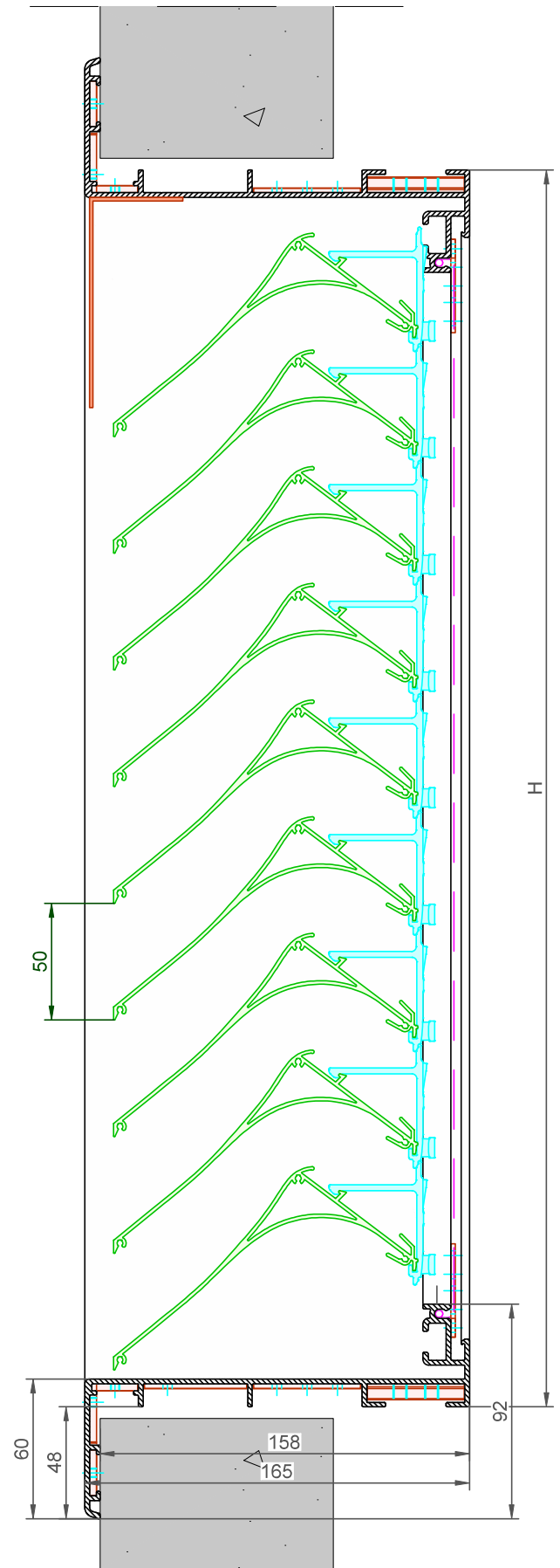
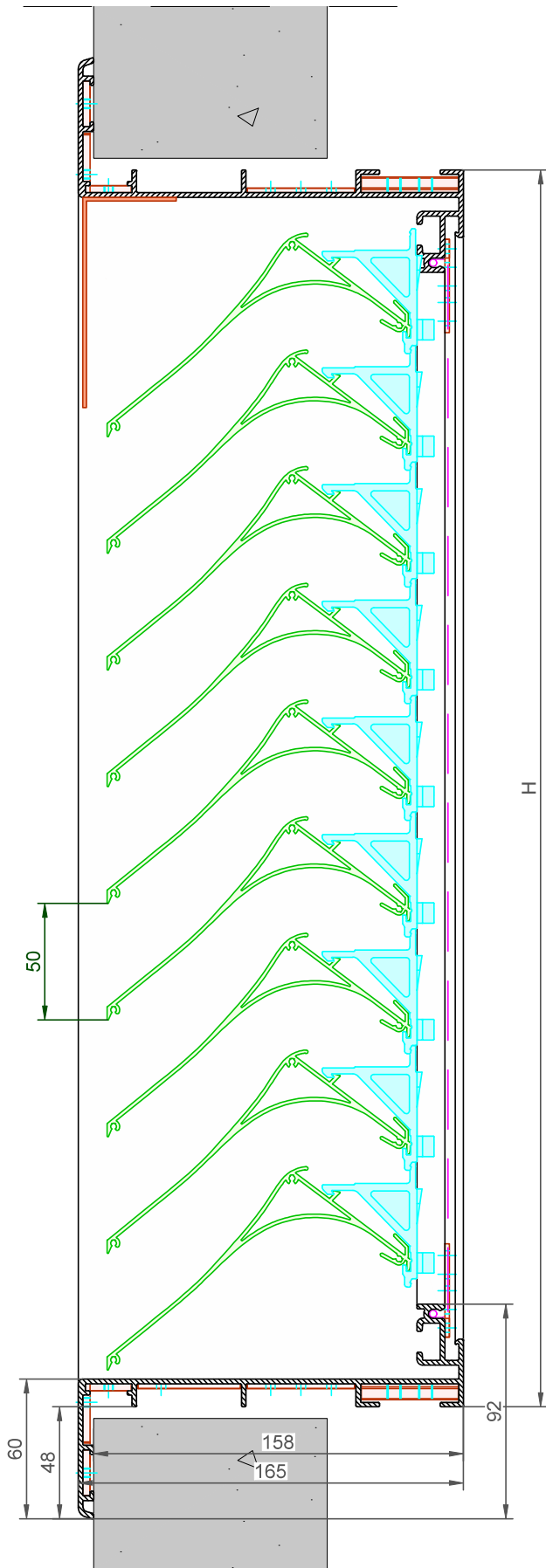
C

B

B

A

A

DucoGrille Classic **G130HP Basic**

Datum : 21/09/2023

Schaal : 1:2

**DUCO**  
Ventilation & Sun Control

Bedrijvenlaan 2 - 8630 VEURNE  
tel. 0032-58/330066 - fax.0032-58/330067  
email: info@duco.eu www.duco.eu

Deze tekening is eigendom van Duco Projects en mag niet gekopieerd  
noch getoond worden aan derden zonder schriftelijke toestemming

Tol. : ISO 2768-mK

Getekend : SDN/SVE/JHX

Mat. :

Ref nr. :

Formaat : A3



omtrek

gewicht

lakoppervl.

Tekening nr. :

DGC-G130HP Basic

Available with : • Standard plastic clip (left)  
• Metal clip (right)

3

2

1