

TECHNICAL DATA SHEET



Type	DucoWall Classic W 50HP																			
DESCRIPTION	Continuous louvre wall																			
SHAPE OF BLADE	50HP																			
PITCH	50 mm																			
BLADE HEIGHT	50 mm																			
BLADE DEPTH	56 mm																			
INSTALLATION DEPTH	<table border="0"> <tr> <td>with mullion 50/125</td> <td>181 mm</td> </tr> <tr> <td>with mullion 50/50</td> <td>106 mm</td> </tr> <tr> <td>with mullion 50/12</td> <td>68 mm</td> </tr> <tr> <td>with mullion 21/50 MULTI</td> <td>106 mm</td> </tr> <tr> <td>with mullion 30/12</td> <td>68 mm</td> </tr> </table>		with mullion 50/125	181 mm	with mullion 50/50	106 mm	with mullion 50/12	68 mm	with mullion 21/50 MULTI	106 mm	with mullion 30/12	68 mm								
with mullion 50/125	181 mm																			
with mullion 50/50	106 mm																			
with mullion 50/12	68 mm																			
with mullion 21/50 MULTI	106 mm																			
with mullion 30/12	68 mm																			
MAX. BLADE LENGTH	6000 mm																			
MAX. SPAN	1100mm @ 800Pa																			
STARTING DIMENSION	19 mm																			
REACTION TO FIRE	If version with plastic clips : D-s2,d0 (EN13501-1) If version with metal clips: A2-s1,d0 (EN 13501-1)																			
MESH	standard without insectmesh frame																			
MATERIAL	<table border="0"> <tr> <td>Aluminium :</td> <td>EN AW-6063 T66 (EN 573-3)</td> </tr> <tr> <td></td> <td>Profile thickness : min. 1,5mm</td> </tr> <tr> <td>Thermoplastic parts :</td> <td>Clips</td> </tr> <tr> <td></td> <td>Polyamide PA 6,6 -reinforced with glass fibre</td> </tr> <tr> <td>Metal parts :</td> <td>Clips</td> </tr> <tr> <td></td> <td>Zamak Electrophoresis blackened</td> </tr> </table>		Aluminium :	EN AW-6063 T66 (EN 573-3)		Profile thickness : min. 1,5mm	Thermoplastic parts :	Clips		Polyamide PA 6,6 -reinforced with glass fibre	Metal parts :	Clips		Zamak Electrophoresis blackened						
Aluminium :	EN AW-6063 T66 (EN 573-3)																			
	Profile thickness : min. 1,5mm																			
Thermoplastic parts :	Clips																			
	Polyamide PA 6,6 -reinforced with glass fibre																			
Metal parts :	Clips																			
	Zamak Electrophoresis blackened																			
SURFACE TREATMENT	- standard aluminium anodised (15-20µm) according Qualanod - polyester powder coated (60-80µm) according Qualicoat Seaside type A - specific RAL codes and/or textured paint on request																			
VISUAL FREE AREA	88%																			
PHYSICAL FREE AREA	68%																			
AIR FLOW DATA	<table border="1"> <thead> <tr> <th>(EN13030)</th> <th>standard</th> </tr> </thead> <tbody> <tr> <td>Ce</td> <td>0,358</td> </tr> <tr> <td>K-factor intake</td> <td>7,80</td> </tr> <tr> <td>Cd</td> <td>0,439</td> </tr> <tr> <td>K-factor exhaust</td> <td>5,19</td> </tr> </tbody> </table>		(EN13030)	standard	Ce	0,358	K-factor intake	7,80	Cd	0,439	K-factor exhaust	5,19								
(EN13030)	standard																			
Ce	0,358																			
K-factor intake	7,80																			
Cd	0,439																			
K-factor exhaust	5,19																			
WATER RESISTANCE	<table border="1"> <thead> <tr> <th>(EN13030)</th> <th>standard</th> </tr> </thead> <tbody> <tr> <td>v = 0 m/s</td> <td>C</td> </tr> <tr> <td>v =0,5 m/s</td> <td>C</td> </tr> <tr> <td>v = 1 m/s</td> <td>C</td> </tr> <tr> <td>v = 1.5 m/s</td> <td>D</td> </tr> <tr> <td>v = 2 m/s</td> <td>D</td> </tr> <tr> <td>v = 2.5 m/s</td> <td>D</td> </tr> <tr> <td>v = 3 m/s</td> <td>D</td> </tr> <tr> <td>v = 3,5 m/s</td> <td>D</td> </tr> </tbody> </table>		(EN13030)	standard	v = 0 m/s	C	v =0,5 m/s	C	v = 1 m/s	C	v = 1.5 m/s	D	v = 2 m/s	D	v = 2.5 m/s	D	v = 3 m/s	D	v = 3,5 m/s	D
(EN13030)	standard																			
v = 0 m/s	C																			
v =0,5 m/s	C																			
v = 1 m/s	C																			
v = 1.5 m/s	D																			
v = 2 m/s	D																			
v = 2.5 m/s	D																			
v = 3 m/s	D																			
v = 3,5 m/s	D																			

3

2

1

D

D

C

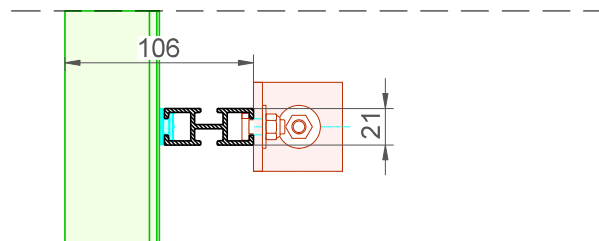
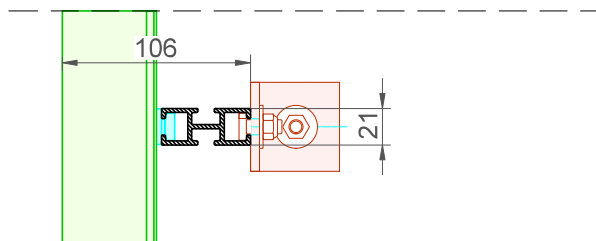
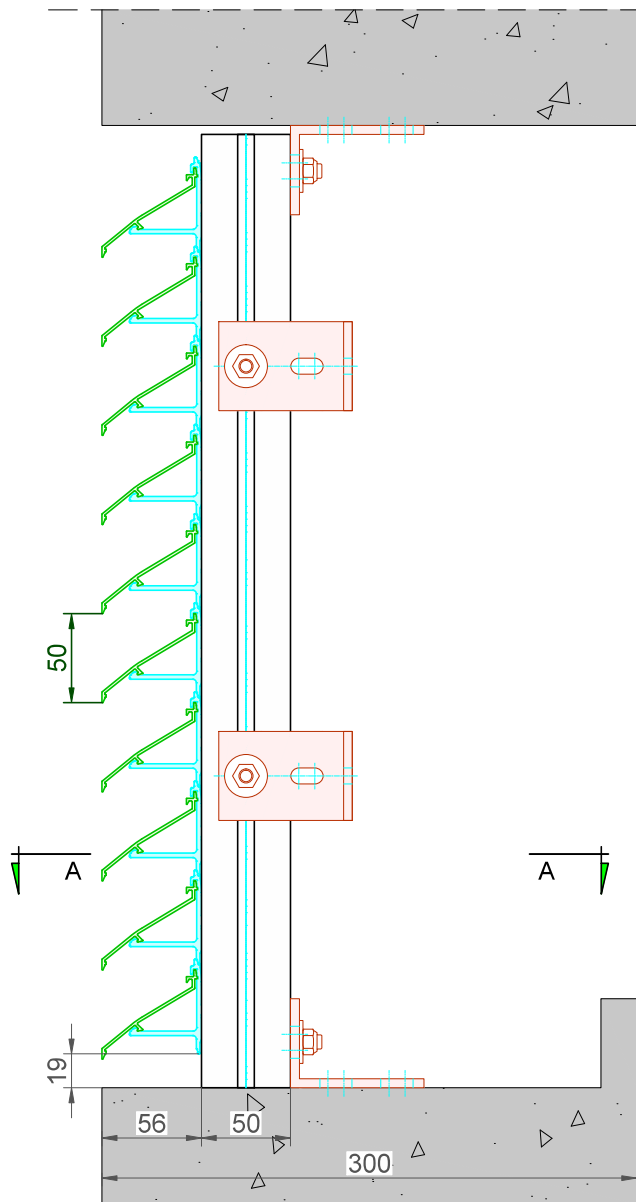
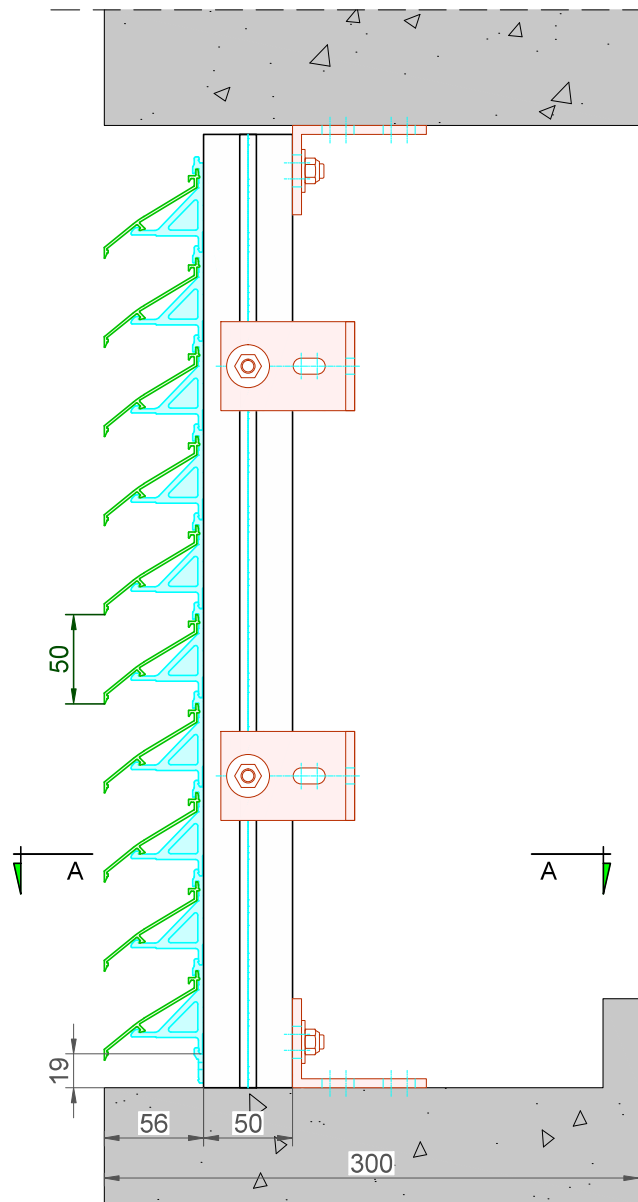
C

B

B

A

A



Available with : • Standard plastic clip (left)
• Metal clip (right)

Without sill, no top blade available

DucoWall Classic **50HP** Draagprofiel 21/50 Multi

DUCO
Ventilation & Sun Control

Bedrijvenlaan 2 - 8630 VEURNE
tel. 0032-58/330066 - fax.0032-58/330067
email: info@duco.eu www.duco.eu

Deze tekening is eigendom van Duco Projects en mag niet gekopieerd noch getoond worden aan derden zonder schriftelijke toestemming

Datum : 01/03/2023

Schaal : 1:3

Getekend : LNT/JHX

Ref nr. :

Tol. : ISO 2768-mK

Mat. :

Formaat : A3



omtrek

gewicht

lakoppervl.

Tekening nr. :

DWClassic-50HP DP 21/50 Multi

mm

kg/m

dm²/m

3

2

1