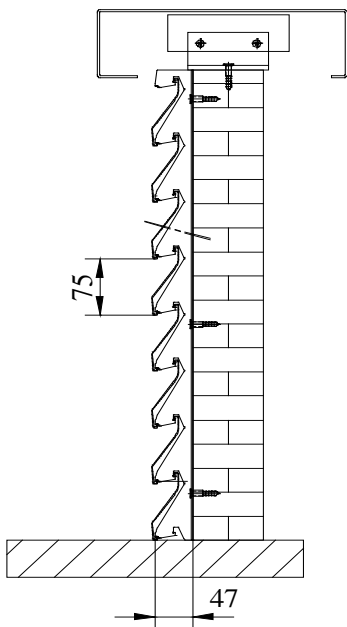
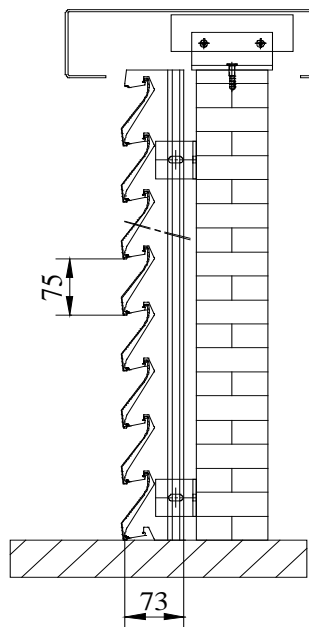


# TECHNICAL DATA SHEET

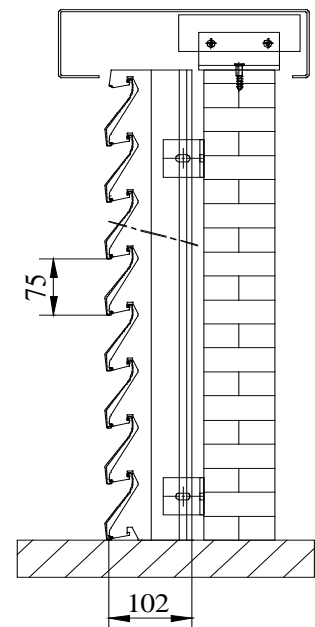
<b>TYPE</b>	<b>DUCOWALL BASIC 35Z</b>
<b>DESCRIPTION</b>	Continuous Louvre wall
<b>SHAPE OF THE BLADE</b>	35Z
<b>VISUAL FREE AREA</b>	69%
<b>PHYSICAL FREE AREA</b>	27%
<b>BLADE HEIGHT</b>	90 mm
<b>PITCH</b>	75 mm
<b>MAX. BLADE LENGTH</b>	6000 mm
<b>TYPE OF MULLION</b>	40/47 punched, 21/73 punched or 40/102 punched
<b>MATERIAL</b>	Aluminium : Al Mg Si 0,5 Profile thickness : min. 1,1mm Surface treatment : standard aluminium anodised (15-20µm) polyester powder coated (60-80µm)
<b>COLOURS</b>	All RAL colours



40/47



21/73



40/102