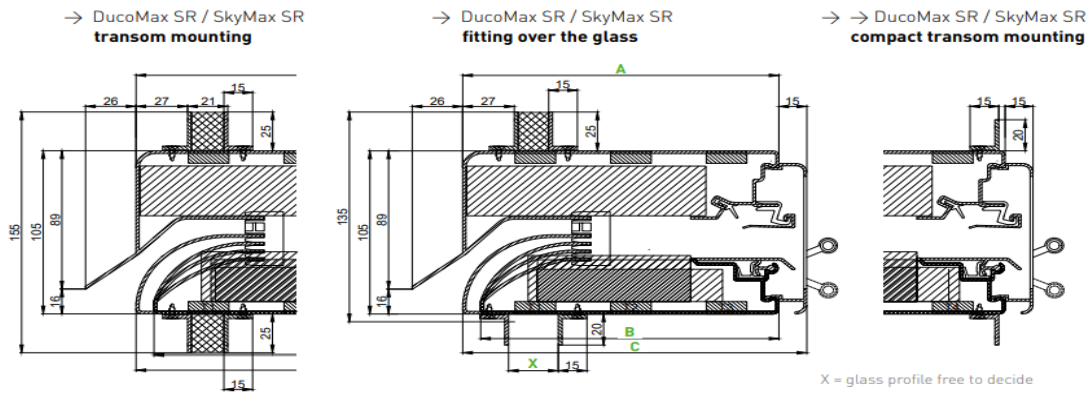


TECHNICAL DATA SHEET

TYPE	DUCOMAX SR / SKYMAX SR					
DESCRIPTION	Overframe ventilator, suitable for use with aluminium, PVC or timber windows.					
SELF-REGULATING	Yes					
GLASS REDUCTION	135 mm					
EQUIVALENT AREA in mm ² /m @ 1Pa		<u>Air slot 10 mm</u>	<u>Air slot 15 mm</u>	<u>Air slot 20 mm</u>	<u>Air slot 25 mm</u>	
	Corto	16542	26341	34230	40720	
	Medio	14252	22523	32576	39193	
	Alto	15143	22269	33467	37793	
	Largo	15143	22778	34230	36775	
GEOM. FREE AREA	Corto, Medio, Alto, Largo	<u>Air slot 10 mm</u> 10000 mm ² /m	<u>Air slot 15 mm</u> 15000 mm ² /m	<u>Air slot 20 mm</u> 20000 mm ² /m	<u>Air slot 25 mm</u> 25000 mm ² /m	
AIRFLOW in m ³ /h/m @ 2Pa		<u>Air slot 10 mm</u>	<u>Air slot 15 mm</u>	<u>Air slot 20 mm</u>	<u>Air slot 25 mm</u>	
	Corto	86,7	92,5	141,5	152,9	
	Medio	86,7	92,5	141,5	152,9	
	Alto	86,7	92,5	141,5	152,9	
	Largo	86,7	92,5	141,5	152,9	
SOUND REDUCTION in D _{n,e,w} (c;ctr)		<u>Air slot 10 mm</u>	<u>Air slot 15 mm</u>	<u>Air slot 20 mm</u>	<u>Air slot 25 mm</u>	
	Corto	41 (-1;-2) dB	38 (-1;-3) dB	36 (-1;-2) dB	35 (-1;-2) dB	
	Medio	44 (-1;-4) dB	40 (-1;-4) dB	39 (-2;-4) dB	37 (-1;-4) dB	
	Alto	46 (-2;-6) dB	42 (-1;-5) dB	40 (-1;-4) dB	38 (-1;-4) dB	
	Largo	49 (-1;-5) dB	43 (-1;-4) dB	41 (-2;-4) dB	38 (-1;-3) dB	
OCTAVE BAND VALUES		<u>at 125 Hz</u>	<u>at 250 Hz</u>	<u>at 500 Hz</u>	<u>at 1000 Hz</u>	<u>at 2000 Hz</u>
	Corto 10	31,5 dB	31,6 dB	40,6 dB	45,9 dB	40,4 dB
	Corto 15	29,2 dB	28,9 dB	35,0 dB	40,1 dB	37,9 dB
	Corto 20	28,6 dB	27,9 dB	32,7 dB	38,5 dB	36,8 dB
	Corto 25	28,0 dB	27,3 dB	31,8 dB	37,0 dB	35,2 dB
	Medio 10	32,5 dB	31,2 dB	42,8 dB	48,5 dB	45,9 dB
	Medio 15	30,7 dB	28,4 dB	37,2 dB	42,6 dB	43,3 dB
	Medio 20	29,1 dB	26,8 dB	35,6 dB	40,8 dB	41,6 dB
	Medio 25	28,6 dB	26,2 dB	33,7 dB	38,6 dB	39,8 dB
	Alto 10	32,4 dB	30,7 dB	44,8 dB	52,3 dB	50,2 dB
	Alto 15	30,7 dB	28,6 dB	39,1 dB	45,9 dB	47,1 dB
	Alto 20	30,2 dB	27,2 dB	36,7 dB	43,5 dB	44,5 dB
	Alto 25	29,7 dB	26,2 dB	35,1 dB	41,0 dB	42,1 dB
	Largo 10	34,8 dB	36,2 dB	45,5 dB	54,4 dB	56,1 dB
	Largo 15	32,2 dB	31,5 dB	39,0 dB	45,6 dB	48,6 dB
	Largo 20	30,9 dB	28,6 dB	36,3 dB	44,0 dB	45,0 dB
	Largo 25	30,8 dB	28,1 dB	34,0 dB	39,6 dB	41,9 dB
WIND TIGHTNESS	Class 2 (600 Pa) in closed position					
WATER TIGHTNESS	Class E1050 (1050 Pa) in closed position					
CONTROL OPTIONS	Handle, Cord or Rod					
U-VALUE	2,58 W/m ² K					
MAXIMUM LENGTH	DucoMax : 4000 mm (transom/compact transom) / 2500 mm (glazed-in) Maximum flap length : 2000 mm SkyMax : 2500 mm (transom/compact transom) / 2500 mm (glazed-in) Maximum flap length : 1000 mm					
INSTALLATION HEIGHT	115 mm for compact transom installation					
VENTILATOR HEIGHT	145 mm for compact transom installation 155 mm for transom installation					
MATERIAL	Aluminium : AIMg Si 0.5 Plastic parts : ASA or ABS					

**SURFACE
TREATMENT**

- DAR (Duco Anodic Ral)
- Polyester powder coated (60-80µm) in Duco300RAL
- Specific RAL colour and/or texture on demand
- Dual colour available



OVERFRAME VENTILATOR			
Version	Dimension A	Dimension B	Dimension C
Corto	165	156	180
Medio	215	206	230
Alto	265	256	280
Largo	315	306	330