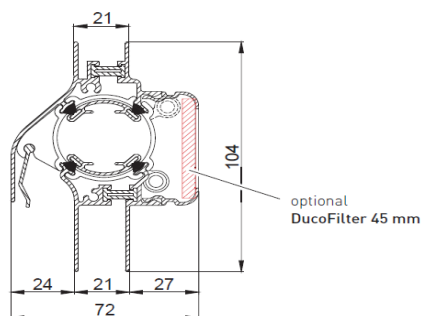
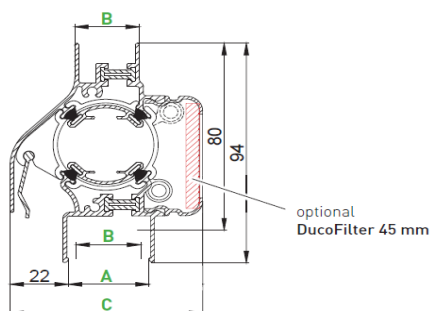


# TECHNICAL DATA SHEET

<b>TYPE</b>	<b>DUCOTON 80 SR</b>				
<b>DESCRIPTION</b>	Window ventilator, suitable for use with aluminium, PVC or timber windows.				
<b>SELF-REGULATING</b>	Yes				
<b>GLASS REDUCTION</b>	80 mm				
<b>EQUIVALENT AREA</b>	12980 mm <sup>2</sup> /m @ 1 Pa				
<b>GEOM. FREE AREA</b>	14400 mm <sup>2</sup> /m				
<b>AIRFLOW</b>	44,3 m <sup>3</sup> /h/m @ 2 Pa				
<b>GLASS THICKNESS</b>	6*, 15, 21, 24, 28, 32 or 36 mm				
<b>TRANSOM</b>	21 mm				
<b>SOUND REDUCTION</b>	27 (-1;-1) dB D <sub>ne,W</sub> (C;Ctr) in open position				
<b>OCTAVE BAND VALUES</b>	at 125 Hz	at 250 Hz	at 500 Hz	at 1000 Hz	at 2000 Hz
	25,9 dB	28,4 dB	26,9 dB	25,6 dB	27,6 dB
<b>WIND TIGHTNESS</b>	Class 3 (650 Pa) in closed position				
<b>WATER TIGHTNESS</b>	Class 8A (450 Pa) in closed position				
<b>CONTROL OPTIONS</b>	Handle, Cord or Rod				
<b>U-VALUE</b>	2,26 W/m <sup>2</sup> K				
<b>MAXIMUM LENGTH</b>	2500 mm (split flap from 1500 mm)				
<b>MATERIAL</b>	Aluminium : AlMg Si 0.5 Plastic parts : ASA or ABS				
<b>SURFACE TREATMENT</b>	<ul style="list-style-type: none"> <li>- DAR (Duco Anodic Ral)</li> <li>- Polyester powder coated (60-80µm) in Duco300RAL</li> <li>- Specific RAL colour and/or texture on demand</li> <li>- Dual colour available</li> </ul>				

\* SR-flap not possible



FITTING OVER THE GLASS		
Glass profile (A)	Glass thickness (B)	Vent depth (C)
12 mm	6 mm	72 mm
21 mm	15 mm	72 mm
26 mm	21 mm	72 mm
30 mm	24 mm	72 mm
34 mm	28 mm	79 mm
38 mm	32 mm	79 mm
42 mm	36 mm	79 mm

TRANSOM	
Transom profile	Vent depth
21 mm	72 mm