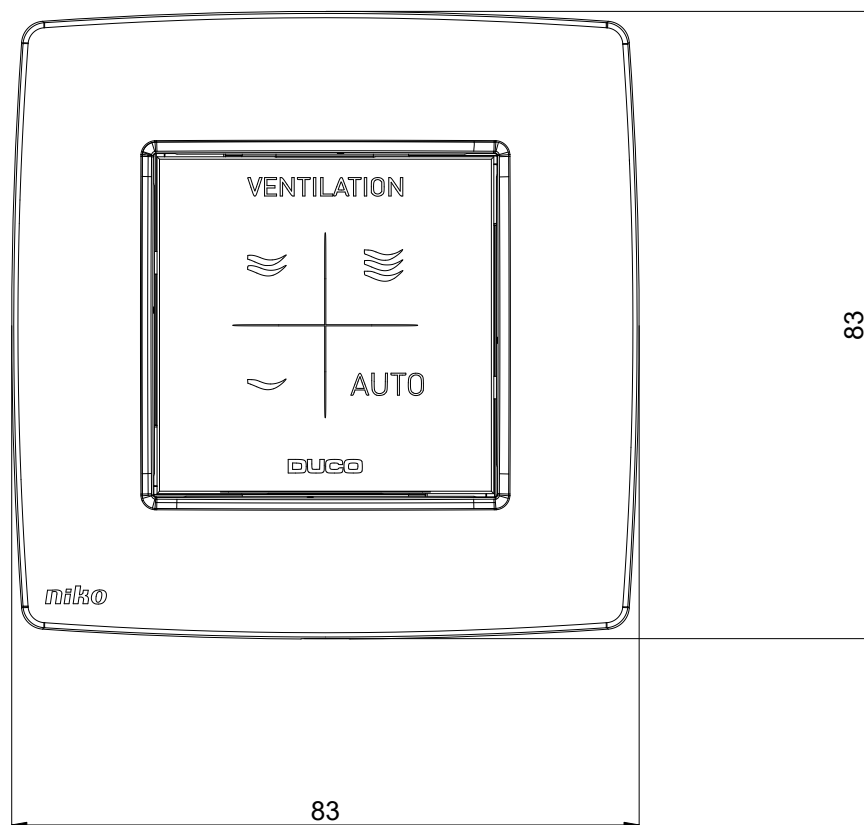
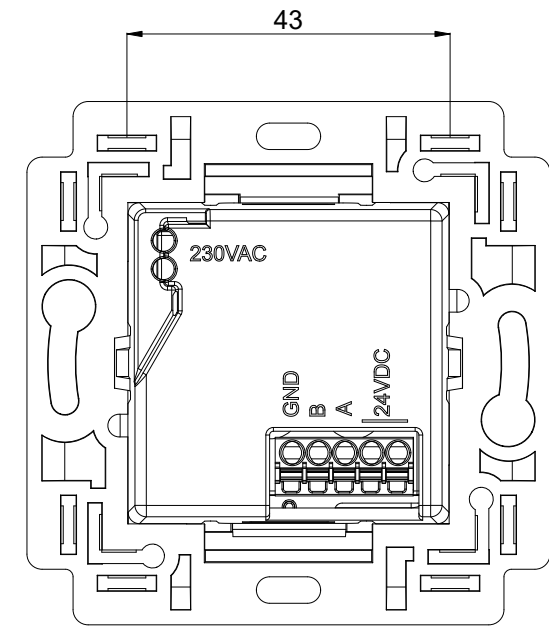
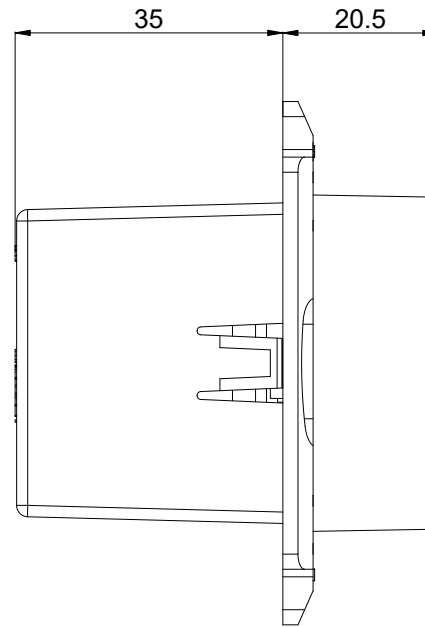
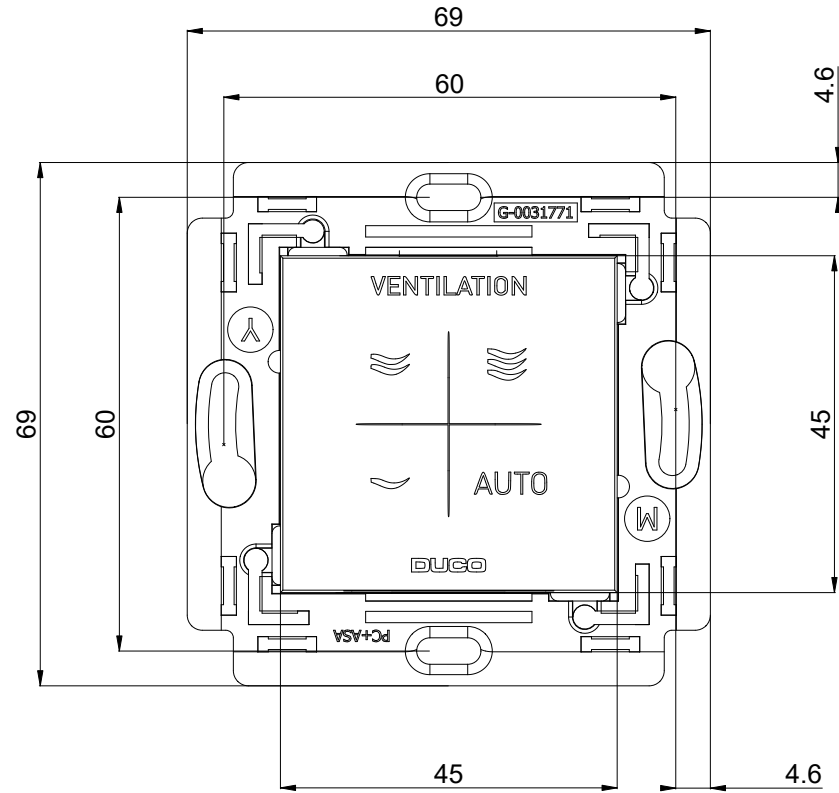


All unspecified measurements are obtained directly from the CAD-model

Status	Status Date
In Work	19-Oct-20 03:22:25 PM



Iteration	Rev. Date	Name	Description
			Date: 08-Feb-21
			Scale: 1.000
			Draftsman: -
			Revision: A
		<p style="text-align: center;">RH ruimtesensor</p>	
<p>DUCO Ventilation & Sun Control</p> <p><small>HANDELSSTRAAT 19 - 8630 VEURNE - BELGIUM tel. 0032-58/330033 fax. 0032-58/330044 info @ duco.eu www.duco.eu This drawing is property of Vero Duco NV and can not be copied, neither shown to third party/externally without written permission.</small></p>		<p>Tol.: -</p> <p>Mat.:</p> <p>Format: A3</p>	<p>Volume 85330.8 mm³</p>
Outline	Weight	Coat. Surf.	Drawing number
mm	0.000 kg/m	dm ² /m	A1123620