

DucoVent Premium

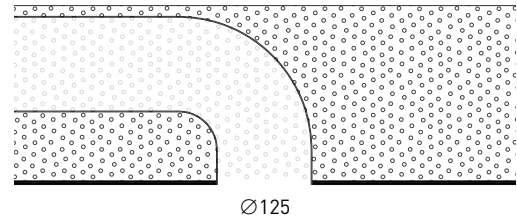
L20014282-A 01.12.2023

APPLICATION

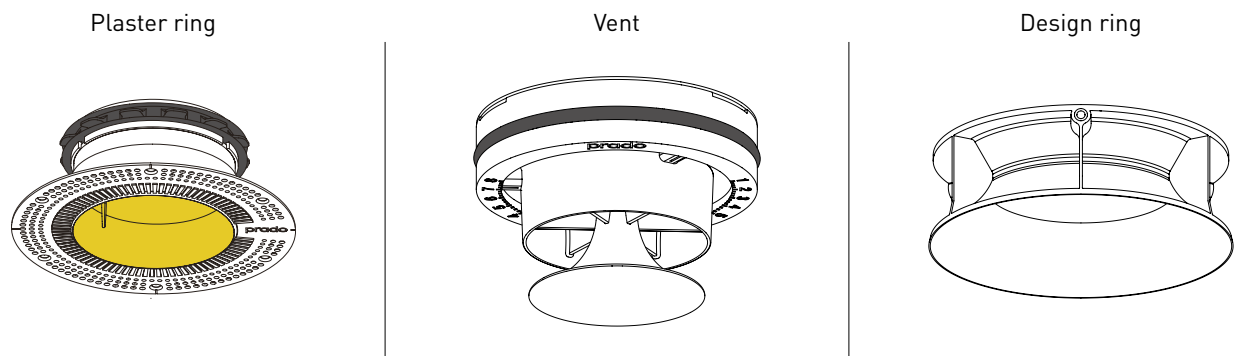
Design vent for both supply and extraction, to be mounted in a plasterboard ceiling (or wall), to be connected to a duct of \varnothing 125 mm.



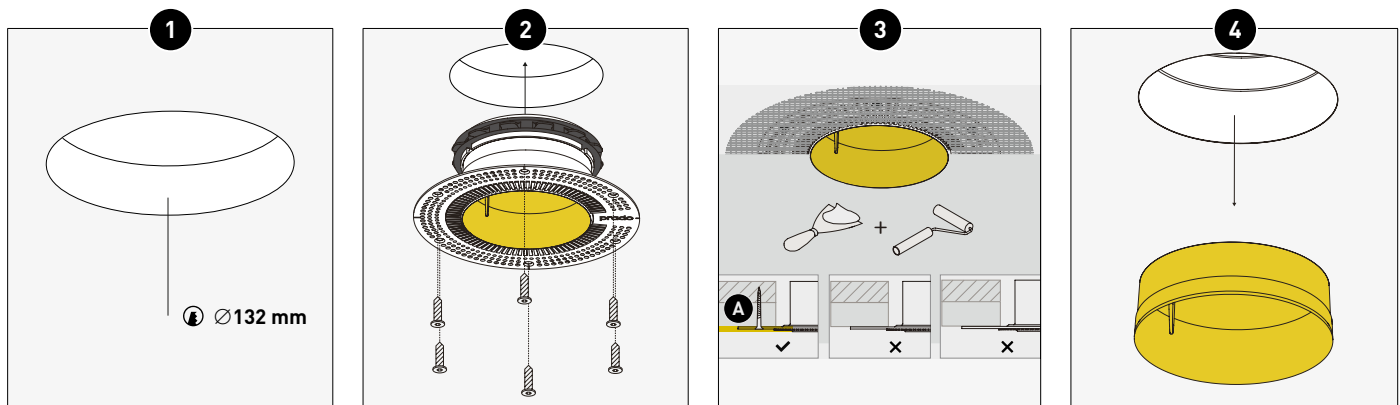
To be mounted before finishing the ceiling or wall.



PARTS



MOUNTING Mounting plaster ring




1
Cut out a hole in the plasterboard at the desired location

2
Fix plaster ring securely with suitable glue or screws (for a static load of 5 kg)

3
Work the plaster ring into the ceiling (or wall) with plaster

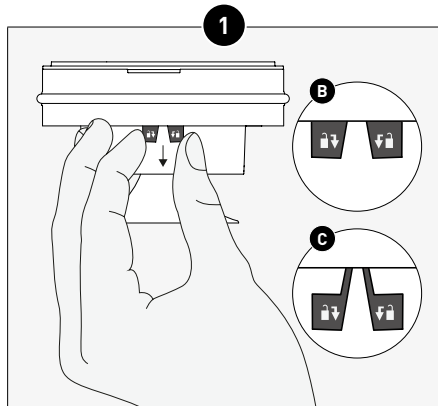
4
Remove PVC cap

A = plasterboard



Leave the yellow PVC cap in the plaster ring during finishing. Use fibreglass mesh tape for optimal adhesion of the plaster. Avoid touching the edge of the ring while sanding.

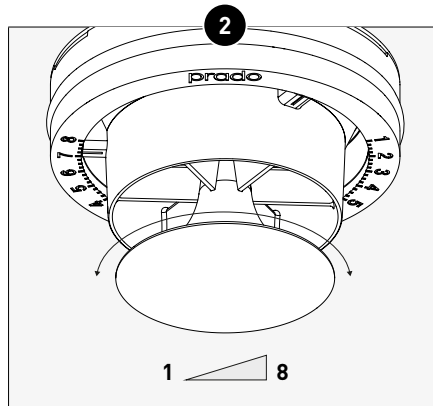
MOUNTING Mounting and calibration of vent



Unlock airflow control (pull gently)

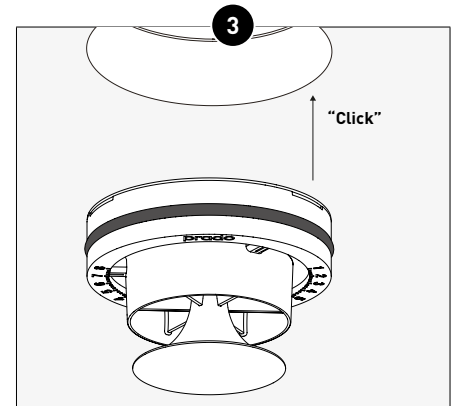
B = locked

C = unlocked

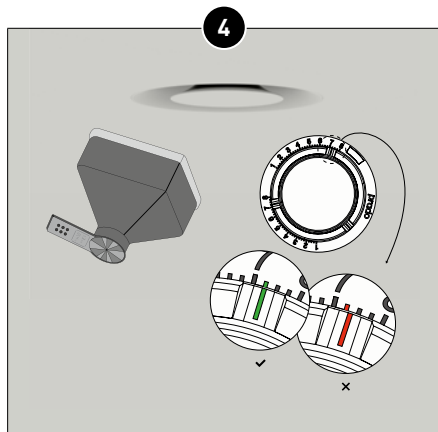


Pre-adjust vents according to this table:

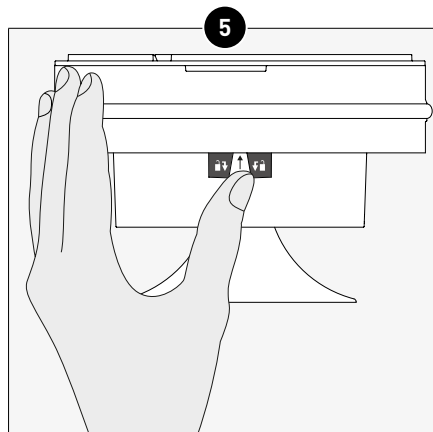
DucoVent Premium	Positioning
Position 8.0	100% open
Position 5.2	50% open
Position 3.0	25% open



Click the vent into the plaster ring



Flow control and fine-tuning



Lock the vent

MOUNTING Mounting design ring

1 Click the design ring onto the vent.

2 If desired, the visible parts of the design ring and the vent can be painted with synthetic primer.

