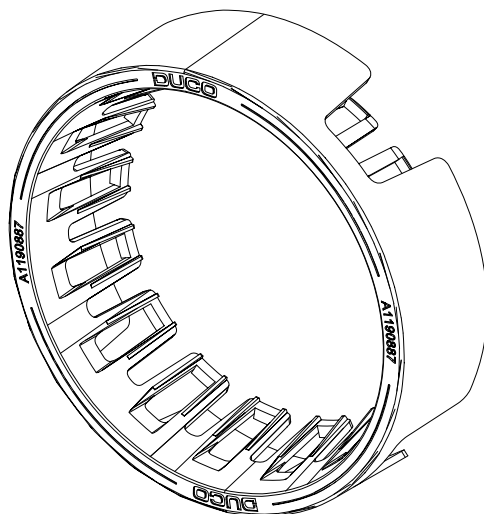


## INSTALLATION MANUAL



Video instructions  
[www.duco.tv](http://www.duco.tv)



### RANGE OF APPLICATION

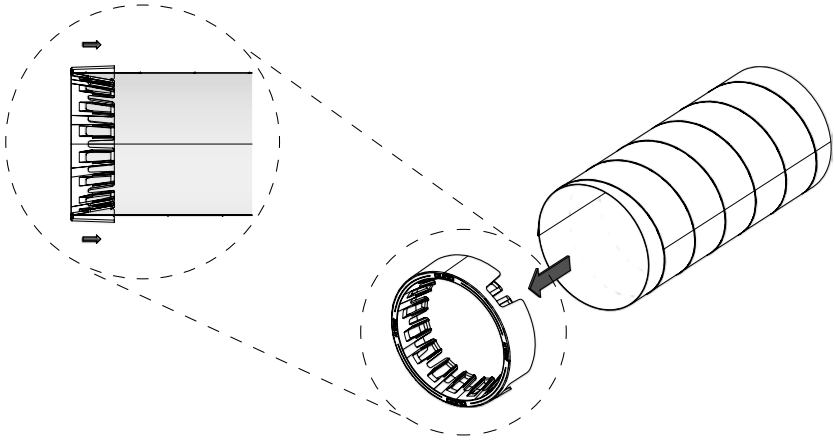
- Flexible ventilation ducts with connection flange thickness < 2 mm and inside diameter  $\varnothing$  127 mm
- Flexible silencers with connection flange thickness < 2 mm and inner diameter  $\varnothing$  127 mm

### TECHNICAL SPECIFICATIONS

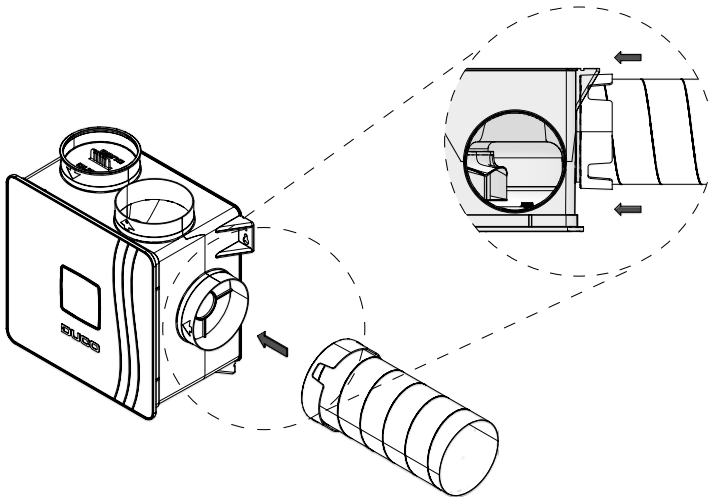
<b>Traction:</b>	max. 5 kg
------------------	-----------

# MOUNTING INSTRUCTIONS

- Preparation: Unfold the flexible duct to be connected at the end to the maximum.
- Step 1: Slide the pipe to be connected as far as possible into the duct flange.



- Step 2: Clamp the duct flange together with the duct over a spigot  $\varnothing$  125 of a DucoBox until the ring touches the casing.



## Translation of the original instructions

For information regarding warranty, maintenance, technical data, etc., see [www.duco.eu](http://www.duco.eu).  
Installation, connection, maintenance and repairs are to be carried out by an accredited installer.