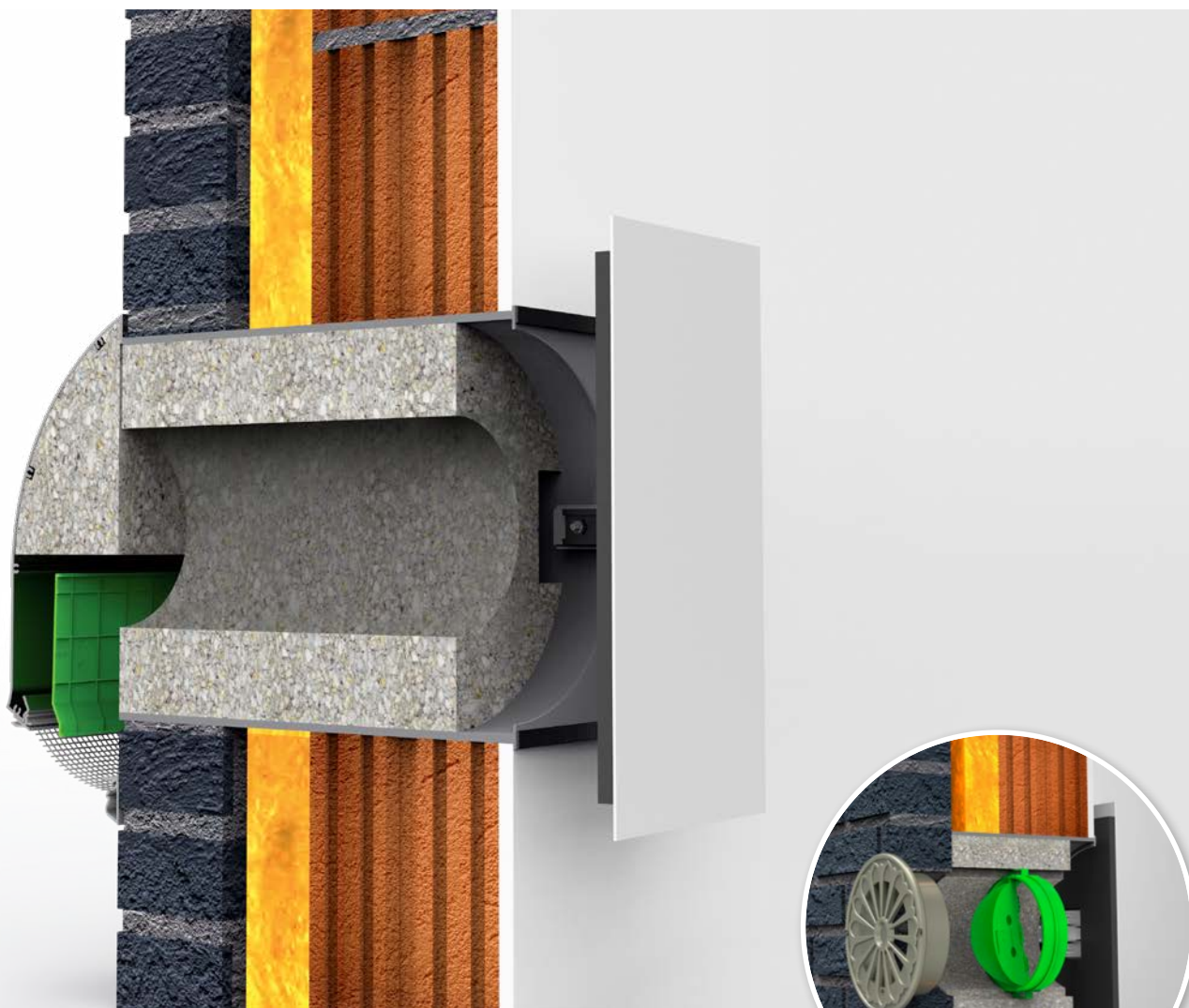


Silenzio SR (AK)

Designer wall damper



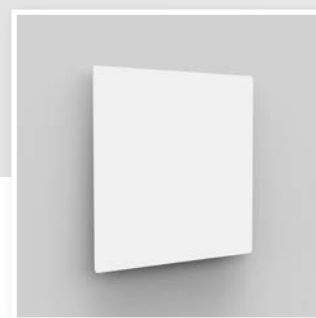
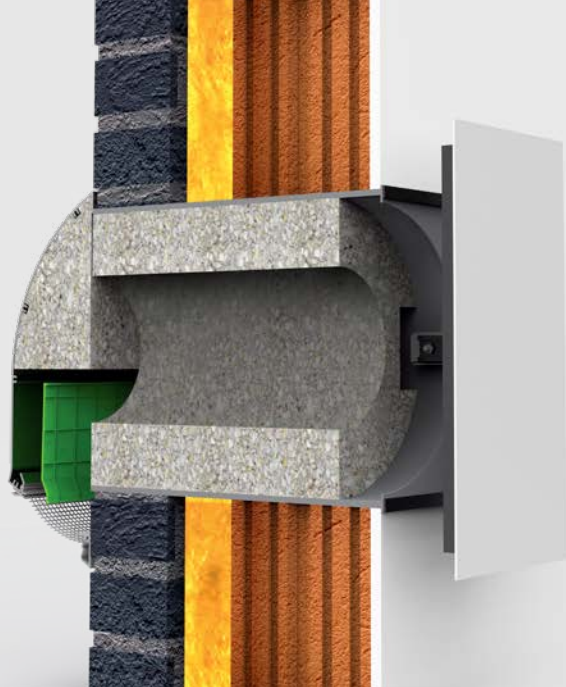
- ✓ **SR valve** for use within DUCO's ventilation systems
- ✓ **'AK' acoustic damping** up to 48 dB
- ✓ Simple solution for **renovation projects**
- ✓ **Aesthetic** adjustable inner cover plate

UNIQUE

Silenzio **Retro** SR
for monumental
facades

DUCO

We inspire at www.duco.eu



Inside view

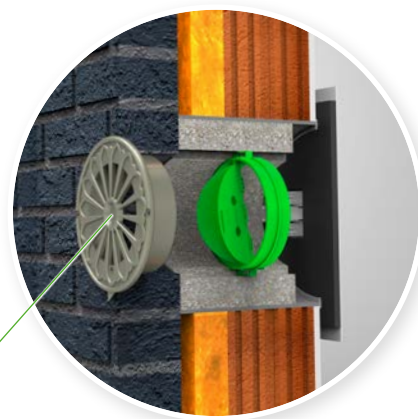
Silenzio SR (AK)

Designer wall damper

Silenzio SR (AK) is a wall damper that is eminently suitable for use in refurbishment. The Silenzio features as SR valve so it can be effortlessly used in one of our ventilation systems. This sound absorbing ventilator has been developed specifically for situations where high noise levels are an issue.

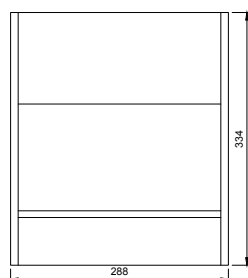
Silenzio Retro SR

The Silenzio Retro SR has been developed specifically for listed buildings with a protected façade. This ventilator can be built into the façade invisibly or be fitted with a discreet rosette grille.

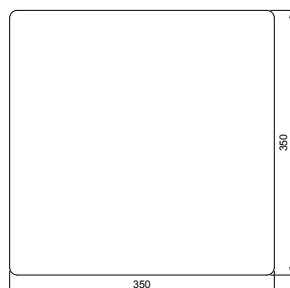


DUCO external grille shown here; optionally any external grille or a weep hole

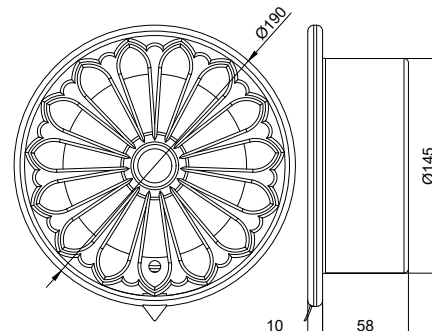
→ Outside cover Silenzio SR (AK)

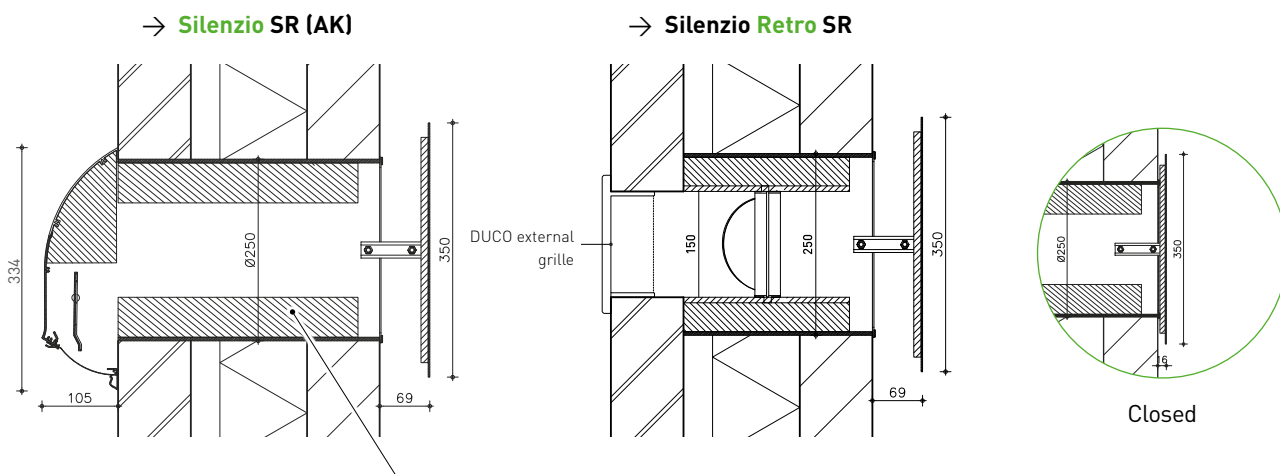


→ Inside cover



DUCO external grille Silenzio Retro SR





The Silenzio SR **AK** is equipped with extra sound absorbing material.

→ Technical features

Properties	Silenzio SR (AK)	Silenzio Retro SR
Outer part	external cover included	optionally with DUCO external grille (RAL 7048 mother of pearl mouse grey)
Watertightness (in closed position)	up to 600 Pa (NEN 3660)	depending on outside section
Windtightness (in closed position)	up to 300 Pa (NEN 3661)	
Inside cover dimensions	350 x 350 mm (w x h)	
External cover dimensions	288 x 334 x 105 mm (w x h x d)	DUCO external grille: 190 x 190 x 72 mm (w x h x d)
Tube length	standard 300 mm longer version available as an option	
Tube diameter	250 mm	
User controller	manual	

→ General table of values

Type	Ventilation capacity (Qv) at 1 Pa (dm ³ /s)	Ventilation capacity (Qn) at 2 Pa (m ³ /h)	D _{ne,W} (C;C _{tr}) ⁺ in dB (open position)	D _{ne,A} ⁺ in dB(A) (open position)	D _{ne,A_{tr}} ⁺ in dB(A) (open position)	R _{q,A} in dB(A)	R _{q,A_{tr}} in dB(A)
250 SR	16.6 /pc	59.4 /pc	39 [-1;-4]	38	35	10,2	7,2
250 SR AK	9.0 /pc	36.4 /pc	48 [-1;-4]	47	44	16,6	13,6
250 Retro SR** without DUCO external grille	10.7 /pc	54.7 /pc	43 [-1;-3]	42	40	12,3	10,3
250 Retro SR with DUCO external grille	9.0 /pc	46.5 /pc	43 [-1;-3]	42	40	11,5	9,5

* According to NEN EN ISO 717
** Measured without outside section. Effective values depend on the outside section.

→ Acoustic value table

Type	Octave band frequencies in dB				
	125 Hz	250 Hz	500 Hz	1000 Hz	2000 Hz
250 SR	27,8	27,5	31,9	46,2	56,8
250 SR AK	35,5	36,3	42,7	65,4	70,7
250 Retro SR without DUCO external grille	37,4	33,7	40,8	42,3	44,7
250 Retro SR with DUCO external grille	37,4	33,7	40,8	42,3	44,7



FOR EVERY PROJECT A SOLUTION!

Discover our products in these brochures:



100% UNBURDENING?

Send us your project!

DUCO offers project supervision from A to Z. Send us your project and receive a non-binding proposal with material requirements (incl. ventilation boxes, control components, air ducting and accessories).



www.duco.eu/yourproject

DUCO

We inspire at www.duco.eu