

TECHNICAL DATA SHEET

DucoVent Premium Trim

(by Prado)

The DucoVent Premium Trim is a vent that can be finished neatly against the ceiling. The vent can be used for both supply and extraction. Thanks to a minimal mounting height and paintable visible parts, the valve virtually merges into the ceiling. The well-thought-out design ensures a diffuse air supply via the Coanda effect, thus guaranteeing optimum comfort.

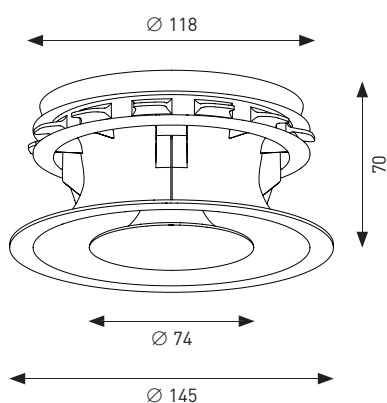
Aesthetics and quality in one product! A perfect combination with DUCO's high-quality ventilation solutions!



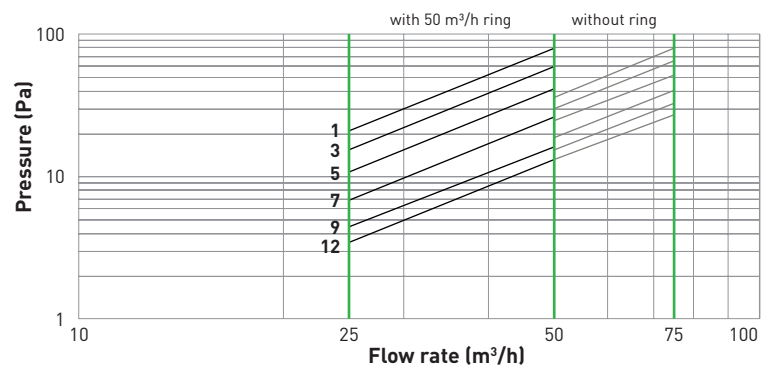
Specifications

Item number	0000-5004 White 0000-7106 Black
Dimensions	Ø 145 x 70 mm
Mounting height	1,5 mm
Maintenance	Easy to clean
Scope of application	Ventilation ducts (extraction and supply) Ø 125 mm
Connection	Ø 125 mm
Sealing	Rubber mounting ring
Mounting	Suitable for ceiling and wall Min. 35 cm from the wall Mounting in duct Ø 125 mm
Maximum flow rate supply	50 m³/h
Maximum flow rate extraction	50 m³/h
Adjustment	34 adjustment positions
Material	Plastic Rubber
Colour	White (visible parts can be painted over with a synthetic primer), Black
Weight	140 g
Packaging	Per piece in box

Dimensions



DucoVent Premium Trim supply



DucoVent Premium Trim extraction

