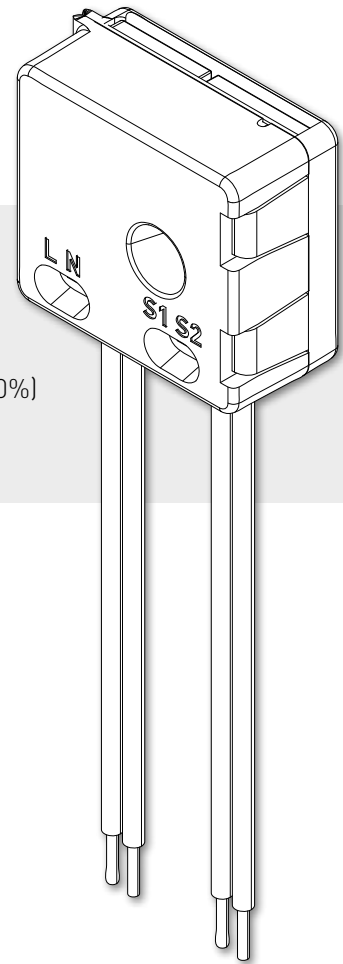


TECHNICAL DATA SHEET

Switch Sensor

The Switch Sensor can perform one of the following functions when closing the voltage-free contact (only one function per switch contact):

- Presence detection (in toilets)
- Possibility of controlling the ventilation system in a pre-defined position (0-100%)
- Interface with heat pump



Physical characteristics

Item number	4174
Width x Height x Depth (mm)	41 x 37 x 20
Weight	21 g
Material	PP
Colour	White
Push buttons	1
LEDs	1
Sensors	Switch detection

Electrical characteristics

Communication	RF
Power supply	230 VAC
Connections	Volt-free input
Peak power	0,5 W
Standby power	0,4 W

