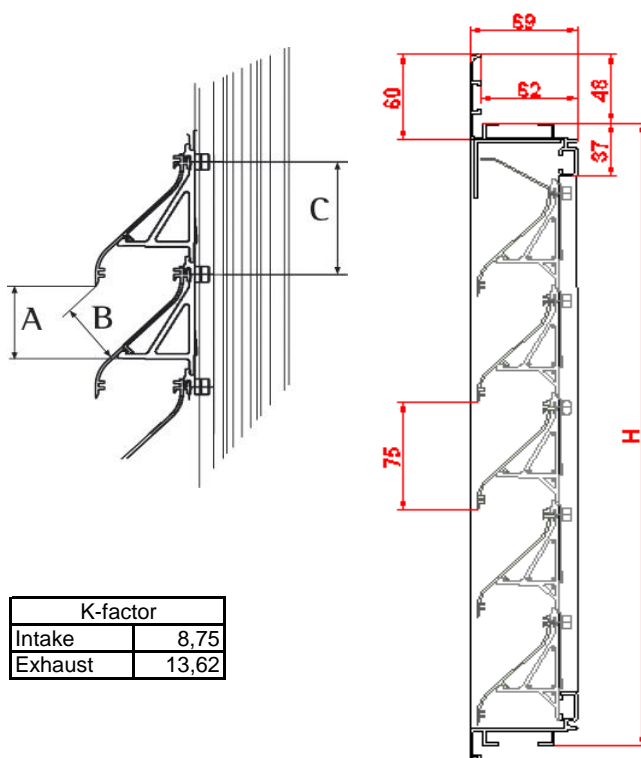


TECHNICAL DATA SHEET

TYPE	DUCOGRILLE G 50/75S										
DESCRIPTION	Louvre "build-in" wall grille										
SHAPE OF BLADE	50S										
VISUAL FREE AREA	80%										
PHYSICAL FREE AREA	49%										
BLADE HEIGHT	76 mm										
PITCH	75 mm										
FLANGE	48,0 mm										
DEPTH TO FIT	62,0 mm										
MAX BLADE LENGTH	6000 mm										
MESH	<ul style="list-style-type: none"> - standard insect mesh 2,3 x 2,3 mm - optional without mesh - optional with mesh 6 x 6 mm - optional with mesh 20 x 20 mm 										
MATERIALS	<table style="width: 100%; border: none;"> <tr> <td style="width: 30%;">Aluminium</td> <td>Al Mg Si 0,5</td> </tr> <tr> <td>Profile thickness</td> <td>1,5 mm</td> </tr> <tr> <td>Surface</td> <td>° natural anodized (15-20µm)</td> </tr> <tr> <td>Treatment</td> <td>° polyester power coating (60-80µm)</td> </tr> <tr> <td>Plastic parts</td> <td>Polyamide PA 6.6 - reinforced with glass fibre</td> </tr> </table>	Aluminium	Al Mg Si 0,5	Profile thickness	1,5 mm	Surface	° natural anodized (15-20µm)	Treatment	° polyester power coating (60-80µm)	Plastic parts	Polyamide PA 6.6 - reinforced with glass fibre
Aluminium	Al Mg Si 0,5										
Profile thickness	1,5 mm										
Surface	° natural anodized (15-20µm)										
Treatment	° polyester power coating (60-80µm)										
Plastic parts	Polyamide PA 6.6 - reinforced with glass fibre										
COLORS	All Ral colors										

Water resistance	
BSRIA (EN13030)	
v (m/s)	class
0	B
0,5	C
1	C
1,5	C
2	C
2,5	D



G 50/75S